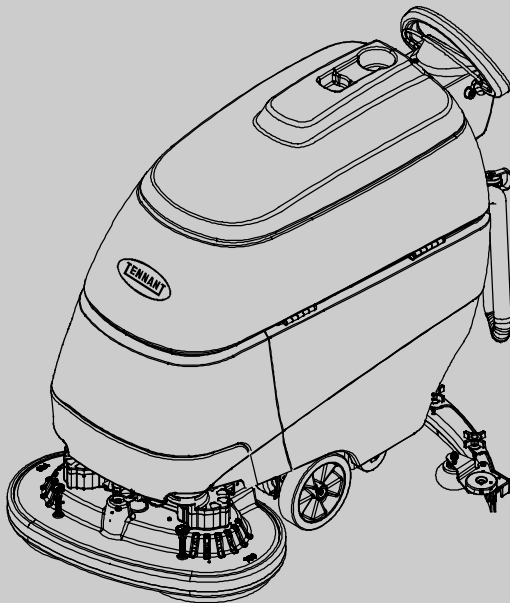
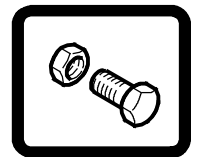




# T5

Automatic Scrubber

Parts Manual



*Foam Scrubbing Technology*  
**The Safe Scrubbing Alternative®**



**H<sub>2</sub>O**<sup>™</sup>  
NanoClean

**Hygenic® Fully Cleanable Tanks**

**QA Controls™**

**TennantTrue® Parts**

**IRIS® a Tennant Technology**



For the latest Parts manuals and other language Operator manuals, visit:

[www.tennantco.com/manuals](http://www.tennantco.com/manuals)

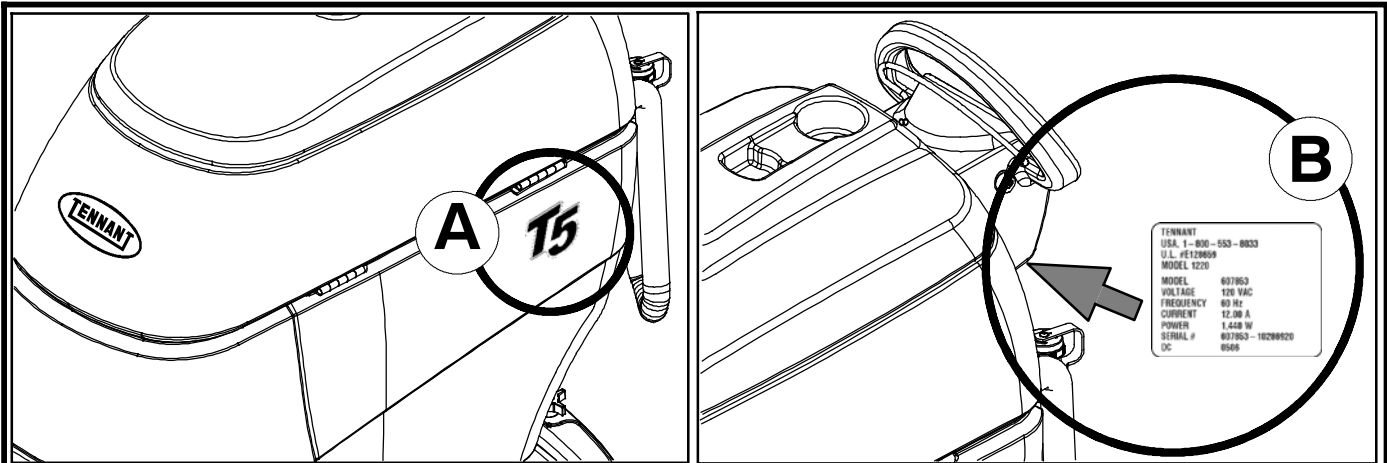
**North America / International**

[www.tennantco.com](http://www.tennantco.com)

9002329

Rev. 13 (03-2015)





Ref	Part No.	Serial Number	Description	Qty.
1	82681	(000000- )	Bracket Wldt, Lpg Mount	1
▽ 2	63810	(000000- )	Latch Assy, Lpg Tank Mtg, W/Nut	4
▲ 3	51839	(000000- )	Nut Adjustable, Lpg Tank Mtg	2
4	49263	(000000- )	Tie, Cable	3
(D)	82556	(000000- 001039)	Bracket, Vaporizer	1
	54930	(000000- )	Vaporizer, LPG	1

#### HOW TO ORDER PARTS - See diagram above

Only use TENNANT Company supplied or equivalent parts. Parts and supplies may be ordered online, by phone, by fax or by mail.

Follow the steps below to ensure prompt delivery.

1. (A) Identify the machine model.
2. (B) Identify the machine serial number from the data label.
3. (C) Ensure the proper serial number is used from the parts list.
4. Identify the part number and quantity.  
Do not order by page or reference numbers.
5. Provide your name, company name, customer ID number, billing and shipping address, phone number and purchase order number.
6. Provide detail shipping instructions.

- (D) ▽ - identifies an assembly  
▲ - identifies parts included in assembly

#### Please fill out at time of installation for future reference.

Model No. - \_\_\_\_\_

Serial No. - \_\_\_\_\_

Machine Options - \_\_\_\_\_

Sales Rep. - \_\_\_\_\_

Sales Rep. phone no. - \_\_\_\_\_

Customer ID Number - \_\_\_\_\_

Installation Date - \_\_\_\_\_

#### Tennant Company

PO Box 1452

Minneapolis, MN 55440

Phone: (800) 553-8033 or (763) 513-2850

www.tennantco.com

Specifications and parts are subject to change without notice.

Copyright © 2006 - 2015 TENNANT Company, Printed in U.S.A.

GENERAL RECOMMENDED MAINTENANCE  
ITEMS ..... 5

**STANDARD PARTS**

REPLACEMENT BRUSHES ..... 12

PAD DRIVER GROUP ..... 14

PAD DRIVER GROUP (JAPAN) ..... 16

RECOVERY TANK GROUP ..... 18

RECOVERY TANK GROUP (JAPAN) ..... 20

VACUUM MOTOR GROUP ..... 22

SOLUTION TANK GROUP ..... 24

SIDE PANEL GROUP ..... 26

CONTROL CONSOLE GROUP ..... 28

COMPONENT PANEL GROUP  
(S/N 10632988- ) ..... 32

COMPONENT PANEL GROUP  
(S/N 00000000- 10632987) ..... 34

DRIVE GROUP ..... 36

SCRUB HEAD GROUP, DISK 24 in / 600 mm ... 38

SCRUB HEAD GROUP, DISK 28 in / 700 mm ... 42

SCRUB HEAD GROUP, DISK 32 in / 800 mm ... 46

SCRUB HEAD GROUP, CYLINDRICAL 26 in /  
650 mm ..... 50

SCRUB HEAD GROUP, CYLINDRICAL 32 in /  
800 mm ..... 54

SCRUBHEAD LIFT GROUP ..... 58

SOLUTION GROUP, FaST MODEL ..... 60

9008847 FAST INJECTOR ASSEMBLY  
BREAKDOWN (S/N 10538043- ),  
600 mm DISK & 650 mm  
CYLINDRICAL MODELS ..... 64

9003907 FAST INJECTOR ASSEMBLY  
BREAKDOWN (S/N 10348538- 10538042)  
600 mm DISK & 650 mm  
CYLINDRICAL MODELS ..... 65

9003810 FAST INJECTOR ASSEMBLY  
BREAKDOWN (S/N 00000000- 10348537)  
600 mm DISK & 650 mm  
CYLINDRICAL MODELS ..... 66

9008887 FAST INJECTOR ASSEMBLY  
BREAKDOWN (S/N 10582617- ),  
700 mm / 800 mm DISK & 800 mm CYLINDRICAL  
MODELS ..... 67

9003908 FAST INJECTOR ASSEMBLY  
BREAKDOWN (S/N 10347532- 10582616)  
700 mm / 800 mm DISK & 800 mm CYLINDRICAL  
MODELS ..... 68

9003812 FAST INJECTOR ASSEMBLY  
BREAKDOWN (S/N 00000000- 10347531)  
700 mm / 800 mm DISK & 800 mm CYLINDRICAL  
MODELS ..... 69

SOLUTION GROUP, ec-H2O NANOCLEAN MODEL  
(S/N MFG AFTER MARCH 2015- ) ... 70

ec-H2O NANOCLEAN MODULE BREAKDOWN,  
9011810 (S/N MFG AFTER  
MARCH 2015- ) ..... 72

SOLUTION GROUP, ec-H2O MODEL  
(S/N 1037880- MFG BEFORE APRIL 2015) .. 74

ec-H2O MODULE ASSEMBLY BREAKDOWN,  
9007970 (S/N 10448305- MFG BEFORE  
APRIL 2015) ..... 76

ec-H2O MODULE ASSEMBLY BREAKDOWN,  
9006161 (S/N 10378380- 10448304) ..... 78

1042495 SOLUTION PUMP BREAKDOWN ..... 80

SOLUTION GROUP, STANDARD MODEL ..... 81

SQUEEGEE LIFT GROUP ..... 82

SQUEEGEE GROUP, 20 in / 500 mm ..... 84

SQUEEGEE GROUP, 24 in / 600 mm ..... 86

SQUEEGEE GROUP, 26 in / 650 mm &  
28 in / 700 mm ..... 88

SQUEEGEE GROUP, 32 in / 800 mm ..... 90

TELEMETRY GROUP ..... 92

BATTERY GROUP, MAINTENANCE FREE  
220 Ah ..... 94

BATTERY GROUP, LEAD-ACID 235 Ah ..... 95

BATTERY GROUP, MAINTENANCE FREE  
160 Ah (JAPAN) ..... 96

BATTERY GROUP, LEAD ACID 180 Ah  
(JAPAN) ..... 97

# TABLE OF CONTENTS

---

## STANDARD PARTS - Cont'd

---

ELECTRICAL DIAGRAM, STANDARD, FaST & ec-H2O MODELS (S/N MFG AFTER MARCH 2015- ) ...	98
ELECTRICAL DIAGRAM, STANDARD & FaST MODEL (S/N 10632988- MFG BEFORE APRIL 2015) .	102
ELECTRICAL DIAGRAM, STANDARD & FaST MODEL (S/N 00000000- 10632987) .....	104
ELECTRICAL DIAGRAM, ec-H2O MODEL (S/N 10632988- MFG BEFORE APRIL 2015) .	106
ELECTRICAL DIAGRAM, ec-H2O MODEL (S/N 00000000- 10632987) .....	108
WIRE HARNESS GROUP, MAIN (S/N 10632988- ) .....	110
WIRE HARNESS GROUP, MAIN (S/N 00000000- 10632987) .....	112
WIRE HARNESS GROUP, MAIN AUSTRALIA (S/N 10632988- ) .....	114
WIRE HARNESS GROUP, MAIN AUSTRALIA (S/N 00000000- 10632987) .....	116
WIRE HARNESS GROUP, ec- H2O NANOCLEAN (S/N MFG AFTER MARCH 2015- ) ...	118
WIRE HARNESS GROUP, ec- H2O (S/N 10632988- MFG BEFORE APRIL 2015) .	120
WIRE HARNESS GROUP, ec- H2O (S/N 10446231- 10632987) .....	122
WIRE HARNESS GROUP, TELEMETRY .....	126
WIRE HARNESS GROUP, FAST .....	128
WIRE HARNESS GROUP, BRAKE .....	129
WIRE HARNESS GROUP, CHASSIS .....	130

## OPTIONS

---

OFF-BOARD CHARGER GROUP .....	132
ON-BOARD CHARGER GROUP .....	134
BUMPER WHEEL KIT .....	136
WAND PUMP KIT .....	138
DELUXE POWER WAND GROUP .....	140
POWER WAND HOSE GROUP .....	142
OPTIONAL WHEEL KIT .....	143
HYDROLINK® BATTERY WATERING SYSTEM KIT .....	144

# RECOMMENDED MAINTENANCE ITEMS

## GENERAL RECOMMENDED MAINTENANCE ITEMS

	Part No.	Serial Number	Description	Qty.
	1042937	(00000000-	) Gasket, Snap- In, Dual- Durometer [T5]	1
▽	1043538	(00000000-	) Hose Assy, Drain, 1.50id X 29.5l, Blk	1
▲▽	1008639	(00000000-	) Cap, Drain Assy	1
▲▲	1019563	(00000000-	) Strap, Cap, Drain	1
▲▲	1008637	(00000000-	) Seal, Org, 1.48id 1.76od	1
	1013628	(00000000-	) Gasket, Mtg, Float, .125th, Neo, Adh	1
	630052	(00000000-	) Float, Shut- Off, (2)Ball, 1.75d	1
▽	9002562	(00000000-	) Motor Kit, Vacuum [T5]	1
▲	1073334	(00000000-	) Brush, Carbon, Motor, Ele [1pick=1pkg] (1Pkg = 2 Brushes)	1
▲	100038	(00000000-	) Gasket, Vacuum Mtr 5.7 Epdm W/Psa	1
	86379	(00000000-	) Fuse, 100a 125volt 0.88 X 3.2l	1
	1049048	(00000000-	) Caster, Swivel, 4.0d 1.4w, 4hole [400lb]	2
	614166	(00000000-	) Brush Kit, Carbon [Qty 4] (For Transaxle Motor 1031723)	1
	1031775	(00000000-	) Brush, Brush- Motor, Afmkt (For Disk Scrub Head Motor 1023067)	1
	1035888	(10338658-	) Belt, Drive, 6Grv, 508l X 14w, [6Pj]	2
	377500	(00000000- 10338657	) Belt,Synchronous, 500l,15mm [05p,Plychn]	2
	1022401	(00000000-	) Gasket, Cover, Belt	2
	1049739	(10419662-	) Brush Kit, Carbon, Motor, Replmt [4pcs]	2
	190152	(00000000- 10419661	) Brush, Carbon [Pk=4]	2
	1025272	(00000000-	) Skirt, Tray, Debris, 65cm	1
	1025273	(00000000-	) Skirt, Tray, Debris, 80cm	1
	1017015	(00000000-	) Detergent, Pkg, 2 Liter, Sgl [365]	1
	1017022	(00000000-	) Detergent, Pkg, 2 Liter, Sgl [665]	1
	1008675	(00000000-	) Gasket, Edge, Foam, 24.00l [Fr]	1
	1024105	(00000000-	) Cable, Lift, Sqge	1
	578074000	(00000000-	) Blade, Sqge, 300.8mml, Wand (Optional Power Wand)	2
▽	9004459	(00000000-	) Wheel Kit, Bumper, Retrofit [T5]	1
▲	614317	(00000000-	) Wheel, 04.0d 1.00w 0.38b, Rbr, Gray	2
▲	1014918	(00000000-	) Wheel, 03.0d 0.88w 0.31b, W/ Bshg, Rbr	2
▽	9004903	(00000000-	) Wheel Kit, Pneumatic, Ci [T5 T5e Ss5]	1
▲	1059452	(00000000-	) Tire Assy, Pneu, Grey, 2.8/2.5- 04 2.75bc	2
▽	9004904	(00000000-	) Wheel Kit, Foam Filled, Ci [T5 T5e Ss5]	1
▲	1068472	(00000000-	) Tire Assy, Foam, Hi- Dns, Grey,2.8/2.5- 04	2
	9006161	(10378380- 10448304	) Module Kit, Replmt [Ec- H2o] (See Breakdown)	1
	9007970	(10448305- MAR2015	) Module Kit, Replmt [Ec- H2o] (See Breakdown)	1
	9011810	(APR2015-	) Module Kit, Replmt [Ec- H2o, B 02] (See Breakdown)	1
	9013646	(APR2015-	) Cartridge, Ec- H2o Nanoclean Wcm, 270ml	1
	1216973	(APR2015-	) Pump Assy, Dispenser	1
	9010085	(APR2015-	) Control Box Assy Kit, Replmt, Telem[Usa]	1
	9010086	(APR2015-	) Control Box Assy Kit, Replmt, Telem[Can]	1
	1070659	(APR2015-	) Antenna, Telem, 70 In [Gprs]	1

▽ ASSEMBLY

▲ INCLUDED IN ASSEMBLY

# RECOMMENDED MAINTENANCE ITEMS

## GENERAL RECOMMENDED MAINTENANCE ITEMS (JAPAN)

Part No.	Serial Number	Description	Qty.
21852	(00000000-	) Bracket, Retainer, Spring	2
21853	(00000000-	) Spring, Wir, 0.16d, Brush Retaining (12" Driver Assy)	1
1028905	(00000000-	) Spring, Wir, 0.16d, Brush Retaining, (14" & 16" Driver Assy)	1
370095	(00000000-	) Device, Centering, Clip- On, Teal, Gf Pp	1
989977	(00000000-	) Pad, 12.00, Sapphire [5pc]	2
989813	(00000000-	) Pad, Stripping, 12inch, Blk [5pc]	2
989973	(00000000-	) Pad, 12.0, Brown [5pc] (Deep Scrubbing & Stripping)	2
989974	(00000000-	) Pad, 12.0, Blu [5pc] (Blue) (Medium Scrubbing)	2
989975	(00000000-	) Pad, 12.0, Red [5pc] (Light Scrubbing & Buffing)	2
989909	(00000000-	) Jumbo Tan 12"	2
989980	(00000000-	) Pad, 12.0, White [5pc] (Polishing)	2
630660	(00000000-	) Pad, 14.0 [Sapphire, Case Of 5]	2
630653	(00000000-	) Pad, 14.0, Brown [Case Of 5] (Deep Scrubbing & Stripping)	2
630654	(00000000-	) Pad, 14.0, Blu [Case Of 5] (Blue) (Medium Scrubbing)	2
630655	(00000000-	) Pad, 14.0, Red [Case Of 5] (Light Scrubbing & Buffing)	2
989806	(00000000-	) Jumbo Tan 14"	2
989981	(00000000-	) Pad, 14.0, White [5pc] (Polishing)	2
630642	(00000000-	) Pad, Stripping, 16.0[Sapphire,Case Of 5]	2
989814	(00000000-	) Pad, Stripping, 16inch, Blk	2
630643	(00000000-	) Pad, 16.0, Brown [Case Of 5] (Deep Scrubbing & Stripping)	2
630644	(00000000-	) Pad, 16.0, Blu [Case Of 5] (Blue) (Medium Scrubbing)	2
630645	(00000000-	) Pad, 16.0, Red [Case Of 5] (Light Scrubbing & Buffing)	2
989807	(00000000-	) Jumbo Tan 16"	2
989907	(00000000-	) Pad, 16.0, White [5pc] (Polishing)	2
1051986	(10581737-	) Valve, Ball, 2way, 1.0id Pvc, W/Handle	1
1051504	(10581737-	) Strap, Hose, Drain	1
1051438	(10581737-	) Hose, Drain, 1.50id X 19.3l, Blk	1

## RECOMMENDED MAINTENANCE ITEMS

### CYLINDRICAL 26 in / 650 mm MODEL RECOMMENDED MAINTENANCE ITEMS

Part No.	Serial Number	Description	Qty.
399251	(00000000-	) Brush, Scb, Cyl, 26l, 18 Sr, Nyl (Soft Nylon)	2
399252	(00000000-	) Brush, Scb, Cyl, 26.0l, Poly (Medium Polypropylene)	2
399253	(00000000-	) Brush, Scb, Cyl, 26.0l, Hd Poly (Stiff Polypropylene)	2
399254	(00000000-	) Brush, Scb, Cyl, 26.0l, Abr (Abrasive)	2
1060864	(00000000-	) Brush, Scb, Cyl, 26l, 18sr, Abr, Spl (Abrasive - Light Duty)	2

### CYLINDRICAL 32 in / 800 mm MODEL RECOMMENDED MAINTENANCE ITEMS

Part No.	Serial Number	Description	Qty.
222308	(00000000-	) Brush, Scb, Cyl, 32l, 18 Sr, Nyl, Spl (Soft Nylon)	2
374042	(00000000-	) Brush, Scb, Cyl, 32l, 18 Sr, Pyp ,Spl (Medium Polypropylene)	2
222307	(00000000-	) Brush, Scb, Cyl, 32l, 18 Sr, Pyp Grout, Spl (Stiff Polypropylene)	2
222309	(00000000-	) Brush, Scb, Cyl, 32l, 18 Sr, Abr, Spl (Abrasive)	2

### DISK 24 in / 600 mm MODEL RECOMMENDED MAINTENANCE ITEMS

Part No.	Serial Number	Description	Qty.
1025094	(00000000-	) Brush Assy, Disk, Scb, 11.90d, Nyl (Soft Nylon)	2
1025095	(00000000-	) Brush Assy, Disk, Scb, 11.90d, Pyp (Medium Polypropylene)	2
1025096	(00000000-	) Brush Assy, Disk, Scb, 11.9d, Sab (Abrasive)	2
21852	(00000000-	) Bracket, Retainer, Spring	2
21853	(00000000-	) Spring, Wir, 0.16d, Brush Retaining (12" Brush Assy)	1
370095	(00000000-	) Device, Centering, Clip- On, Teal, Gf Pp	1
385940	(00000000-	) Pad, Polish, 12.0d, White [1pad=1pc] (Polishing)	2
385941	(00000000-	) Pad, Buff, 12.0d, Red [1pad=1pc] (Light Scrubbing & Buffing)	2
385942	(00000000-	) Pad, Scb, 12.0d, Blu [1pick = 1 Pad] (Blue) (Medium Scrubbing)	2
385943	(00000000-	) Pad, Stripping, 12.0d, Brown [1pad=1pc] (Deep Scrubbing & Stripping)	2
1051020	(00000000-	) Pad, Surf Prep, 12.0d [Mar, 1pick=1pad] (Maroon) (Surface Preparation)	2

## RECOMMENDED MAINTENANCE ITEMS

### DISK 28 in / 700 mm MODEL RECOMMENDED MAINTENANCE ITEMS

Part No.	Serial Number	Description	Qty.
399246	(00000000-	) Brush, Disk, Scr, 13.90d, Assy, Nyl (Soft Nylon)	2
399247	(00000000-	) Brush, Disk, Scr, 13.90d, Assy, Pyp (Medium Polypropylene)	2
399245	(00000000-	) Brush, Disk, Scr, 13.90d, Assy, Sab (Abrasive)	2
21852	(00000000-	) Bracket, Retainer, Spring	2
1028905	(00000000-	) Spring, Wir, 0.16d, Brush Retaining, (14" & 16" Brush Assy)	1
370095	(00000000-	) Device, Centering, Clip- On, Teal, Gf Pp	1
222324	(00000000-	) Pad, Polish, 14.0d, White [1pad=1pc] (Polishing)	2
222325	(00000000-	) Pad, Buff, 14.0d, Red (Light Scrubbing & Buffing)	2
222326	(00000000-	) Pad, Scb, 14.0d, Blu [1pad=1pc] (Blue) (Medium Scrubbing)	2
222327	(00000000-	) Pad, Stripping, 14.0d, Brown [1pad=1pc] (Deep Scrubbing & Stripping)	2
1051026	(00000000-	) Pad, Surf Prep, 14.0d [Mar, 1pick=1pad] (Maroon) (Surface Preparation)	2

### DISK 32 in / 800 mm MODEL RECOMMENDED MAINTENANCE ITEMS

Part No.	Serial Number	Description	Qty.
399243	(00000000-	) Brush, Disk, Scr, 15.9d, Assy, Nyl (Soft Nylon)	2
399244	(00000000-	) Brush, Disk, Scr, 15.9d, Assy, Pyp (Medium Polypropylene)	2
399242	(00000000-	) Brush, Disk, Scr, 15.9d, Assy, Sab (Abrasive)	2
21852	(00000000-	) Bracket, Retainer, Spring	2
1028905	(00000000-	) Spring, Wir, 0.16d, Brush Retaining, (14" & 16" Brush Assy)	1
370095	(00000000-	) Device, Centering, Clip- On, Teal, Gf Pp	1
63248- 4	(00000000-	) Pad, Polish, 16.0d, White [1pad=1pc] (Polishing)	2
63248- 3	(00000000-	) Pad, Buff, 16.0d, Red (Light Scrubbing & Buffing)	2
63248- 2	(00000000-	) Pad, Scb, 16.0d, Blu [1pad=1pc] (Blue) (Medium Scrubbing)	2
63248- 1	(00000000-	) Pad, Stripping, 16.0d, Brown [1pad=1pc] (Deep Scrubbing & Stripping)	2
1051027	(00000000-	) Pad, Surf Prep, 16.0d [Mar, 1pick=1pad] (Maroon) (Surface Preparation)	2



## RECOMMENDED MAINTENANCE ITEMS

### SQUEEGEE GROUP, 20 in / 500 mm, RECOMMENDED MAINTENANCE ITEMS

	Part No.	Serial Number	Description	Qty.
▽	9001178	(00000000-	) Squeegee Assy Kit, 500mm, Ci	1
▲	1010560	(00000000-	) Wheel, Bmpr, 80d X 25w, Non- Marking	2
▲	1006343	(00000000-	) Caster, Swivel, 50mmd, M10 X 30 Stem, PI	2
▲	1010558	(00000000-	) Knob, Star, 2.00d 4ear 0.7l M8x1.25 Thru	4
▲	1011232	(00000000-	) Blade, Sqge, Front, 500mml (Linatex Red Standard)	1
	1014091	(00000000-	) Blade, Sqge, Front, 500mm, Gum (Gum Rubber Tan Optional)	1
	1014092	(00000000-	) Blade, Sqge, Front, 500mml, Oil- Rstn (Polyurethane Natural Optional)	1
▲	1011456	(00000000-	) Blade, Sqge, Rear, 500mm Linatex (Linatex Red Standard)	1
	1014093	(00000000-	) Blade, Sqge, Rear, 500mm Gum (Gum Rubber Tan Optional)	1
	1014094	(00000000-	) Blade, Sqge, Rear, 500mm Oil- Rstn (Polyurethane Natural Optional)	1
▲	1013933	(00000000-	) Strap Assy, Sqge, 500mm	1
	1014026	(00000000-	) Hose, Vacuum, 1.5d X 57l, 2- Short Cuffs	1

### SQUEEGEE GROUP, 24 in / 600 mm, RECOMMENDED MAINTENANCE ITEMS

	Part No.	Serial Number	Description	Qty.
▽	9002679	(00000000-	) Kit, Squeegee, 600mm Ci	1
▲	1010560	(00000000-	) Wheel, Bmpr, 80d X 25w, Non- Marking	2
▲	1006343	(00000000-	) Caster, Swivel, 50mm D, M10 X 30 Stem,Zn	2
▲	1015911	(00000000-	) Knob, Star, 2.75d 4ear 1.1l M8x1.25 Thru	4
▲	1021804	(00000000-	) Blade, Sqge, Front, 88cml [LnX, 60cm] (Linatex Red Standard)	1
	1025333	(00000000-	) Blade, Sqge, Front, 88cml, Gum [60cm] (Gum Rubber Tan Optional)	1
	1025334	(00000000-	) Blade, Sqge, Front, 88cml, Ure [60cm] (Polyurethane Natural Optional)	1
▲	630477	(00000000-	) Wheel, Pyu, 2.0d 0.38w, Gray	1
▲	1021333	(00000000-	) Blade, Sqge, Rear, 88cm,Linatex[60cm] (Linatex Red Standard)	1
	1025335	(00000000-	) Blade, Sqge, Rear, 88cml, Gum [60cm] (Gum Rubber Tan Optional)	1
	1025336	(00000000-	) Blade, Sqge, Rear, 88cm, Ure [60cm] (Polyurethane Natural Optional)	1
	1014026	(00000000-	) Hose, Vacuum, 1.5d X 57l, 2- Short Cuffs	1

▽ ASSEMBLY

▲ INCLUDED IN ASSEMBLY

## RECOMMENDED MAINTENANCE ITEMS

### SQUEEGEE GROUP, 26 in / 650 mm & 28 in / 700 mm RECOMMENDED MAINTENANCE ITEMS

	Part No.	Serial Number	Description	Qty.
▽	9002680	(00000000-	) Kit, Squeegee, 700mm Ci	1
▲	1010560	(00000000-	) Wheel, Bmpr, 80d X 25w, Non- Marking	2
▲	1006343	(00000000-	) Caster, Swivel, 50mm D, M10 X 30 Stem,Zn	2
▲	1015911	(00000000-	) Knob, Star, 2.75d 4ear 1.1l M8x1.25 Thru	4
▲	1023327	(00000000-	) Blade, Sqge, Front, 98cml [Lnx, 70cm] (Linatex Red Standard)	1
▲	1025337	(00000000-	) Blade, Sqge, Front, 98cml, Gum [70cm] (Gum Rubber Tan Optional)	1
▲	1025339	(00000000-	) Blade, Sqge, Front, 98cml, Ure [70cm] (Polyurethane Natural Optional)	1
▲	630477	(00000000-	) Wheel, Pyu, 2.0d 0.38w, Gray	1
▲	1023329	(00000000-	) Blade, Sqge, Rear, 98cm,Linatex[70cm] (Linatex Red Standard)	1
	1025340	(00000000-	) Blade, Sqge, Rear, 98cml, Gum [70cm] (Gum Rubber Tan Optional)	1
	1025341	(00000000-	) Blade, Sqge, Rear, 98cm, Ure [70cm] (Polyurethane Natural Optional)	1
	1014026	(00000000-	) Hose, Vacuum, 1.5d X 57l, 2- Short Cuffs	1

### SQUEEGEE GROUP, 32 in / 800 mm, RECOMMENDED MAINTENANCE ITEMS

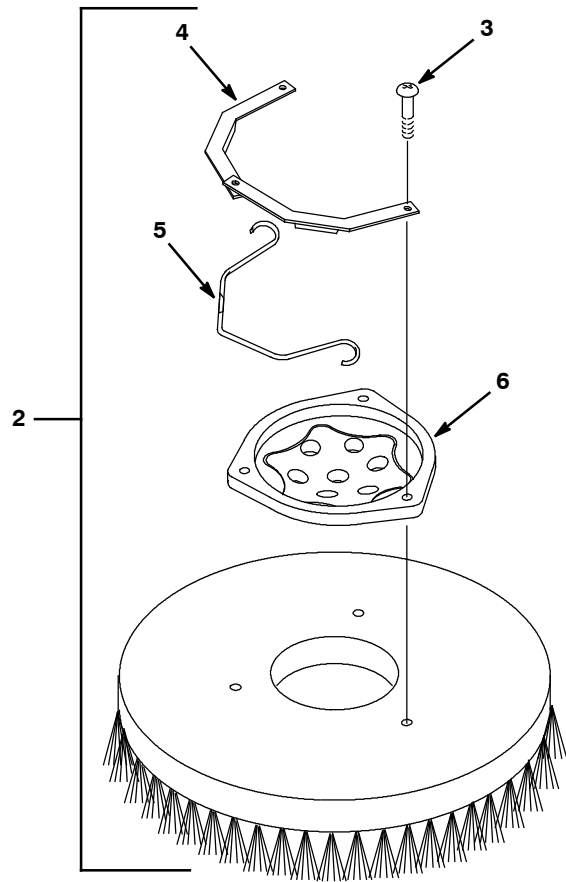
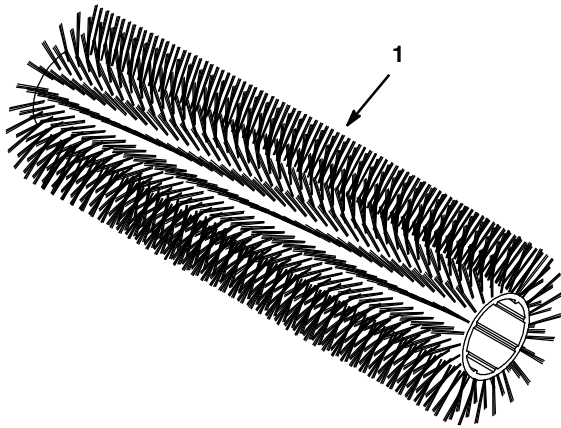
	Part No.	Serial Number	Description	Qty.
▽	9002681	(00000000-	) Kit, Squeegee, 800mm Ci	1
▲	1010560	(00000000-	) Wheel, Bmpr, 80d X 25w, Non- Marking	2
▲	1006343	(00000000-	) Caster, Swivel, 50mm D, M10 X 30 Stem,Zn	2
▲	1015911	(00000000-	) Knob, Star, 2.75d 4ear 1.1l M8x1.25 Thru	4
▲	1023398	(00000000-	) Blade, Sqge, Front, 105cm [Linx 80cm] (Linatex Red Standard)	1
	1025342	(00000000-	) Blade, Sqge, Front, 105cml, Gum[80cm] (Gum Rubber Tan Optional)	1
	1025343	(00000000-	) Blade, Sqge, Front, 105cm, Ure [80cm] (Polyurethane Natural Optional)	1
▲	630477	(00000000-	) Wheel, Pyu, 2.0d 0.38w, Gray	1
▲	1023399	(00000000-	) Blade, Sqge, Rear, 105cml[Linx, 80cm] (Linatex Red Standard)	1
	1025344	(00000000-	) Blade, Sqge, Rear, 105cml, Gum [80cm] (Gum Rubber Tan Optional)	1
	1025346	(00000000-	) Blade, Sqge, Rear, 105cml, Ure [80cm] (Polyurethane Natural Optional)	1
	1014026	(00000000-	) Hose, Vacuum, 1.5d X 57l, 2- Short Cuffs	1

▽ ASSEMBLY

▲ INCLUDED IN ASSEMBLY



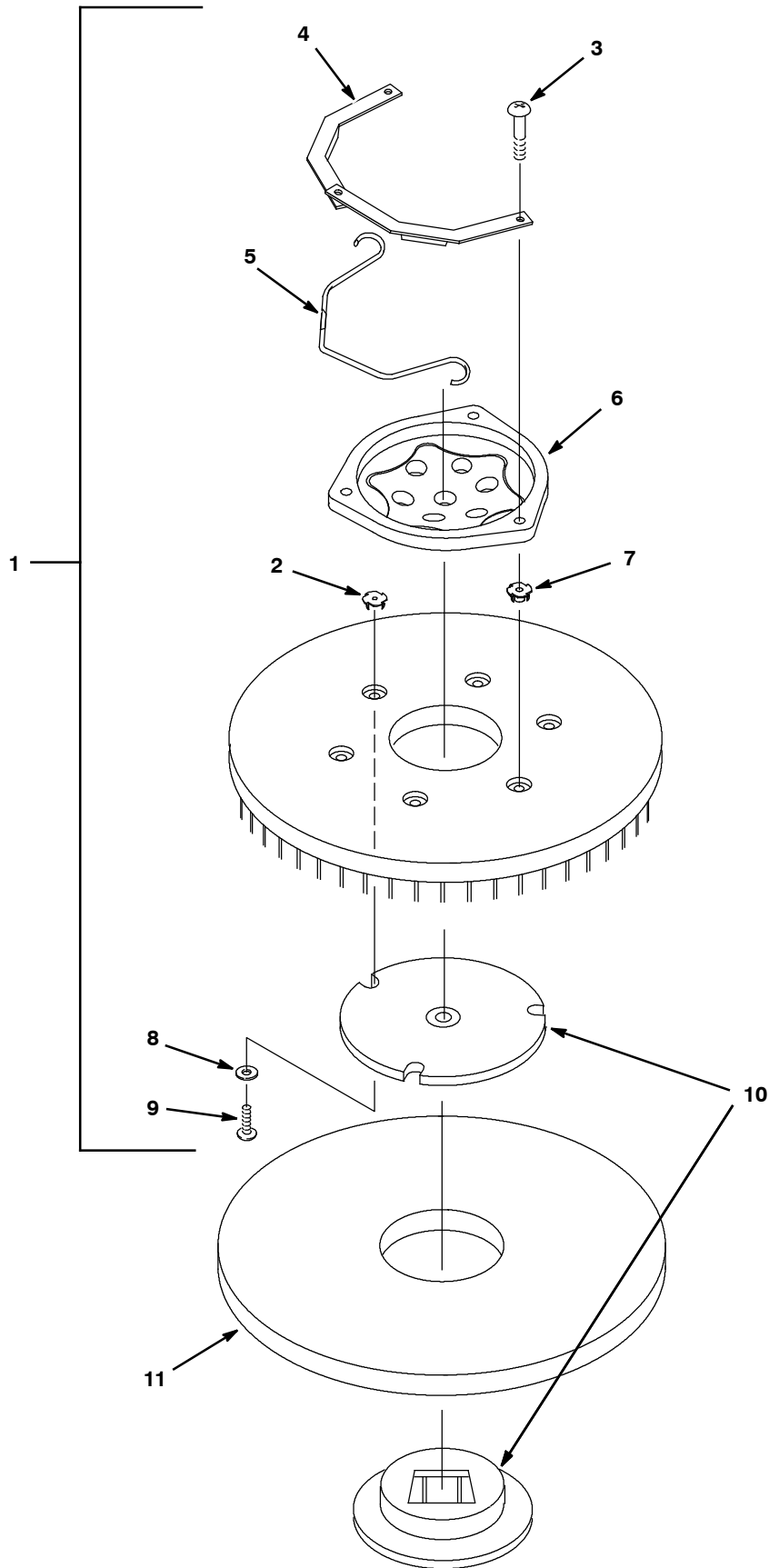
REPLACEMENT BRUSHES



## REPLACEMENT BRUSHES

Ref.	Part No.	Serial Number	Description	Qty.
1	399251	(00000000-	) Brush, Scb, 26l, 18 Sr, Nyl (Soft Nylon)	2
1	399252	(00000000-	) Brush, Scb, Cyl, 26.0l, Poly (Medium Polypropylene)	2
1	399253	(00000000-	) Brush, Scb, Cyl, 26.0l, Hd Poly (Stiff Polypropylene)	2
1	399254	(00000000-	) Brush, Scb, Cyl, 26.0l, Abr (Abrasive)	2
1	1060864	(00000000-	) Brush, Scb, 26l, 18sr, Abr, Spl (Abrasive- Light Duty)	2
1	222308	(00000000-	) Brush, Scb, 32l, 18 Sr, Nyl, Spl (Soft Nylon)	2
1	374042	(00000000-	) Brush, Scb, 32l, 18 Sr, Pyp, Spl (Medium Polypropylene)	2
1	222307	(00000000-	) Brush, Scb, 32l, 18 Sr, Pyp Grout, Spl (Stiff Polypropylene)	2
1	222309	(00000000-	) Brush, Scb, 32l, 18 Sr, Abr, Spl (Abrasive)	2
1	1062078	(00000000-	) Brush, Scb, 32l, 18sr, Abr, Spl (Abrasive- Light Duty)	2
2	1025094	(00000000-	) Brush Assy, Disk, Scb, 11.90d, Nyl (Soft Nylon)	2
2	1025095	(00000000-	) Brush Assy, Disk, Scb, 11.90d, Pyp (Medium Polypropylene)	2
2	1025096	(00000000-	) Brush Assy, Disk, Scb, 11.9d, Sab (Abrasive)	2
2	399246	(00000000-	) Brush, Disk, Scr, 13.90d, Assy, Nyl (Soft Nylon)	2
2	399247	(00000000-	) Brush, Disk, Scr, 13.90d, Assy, Pyp (Medium Polypropylene)	2
2	399245	(00000000-	) Brush, Disk, Scr, 13.90d, Assy, Sab (Abrasive)	2
2	399243	(00000000-	) Brush, Disk, Scr, 15.9d, Assy, Nyl (Soft Nylon)	2
2	399244	(00000000-	) Brush, Disk, Scr, 15.9d, Assy, Pyp (Medium Polypropylene)	2
2	399242	(00000000-	) Brush, Disk, Scr, 15.9d, Assy, Sab (Abrasive)	2
3	32747	(00000000-	) Screw, Pan, M6 X 1.0 X 40, Ss	3
4	21852	(00000000-	) Bracket, Retainer, Spring	2
5	21853	(00000000-	) Spring, Wir, 0.16d, Brush Retaining (12" Brush Assy)	1
5	1028905	(00000000-	) Spring, Wir, 0.16d, Brush Retaining, (14" & 16" Brush Assy)	1
6	1017112	(00000000-	) Hub, Drive, Brush, Disk, 3hole 5.8bc	1

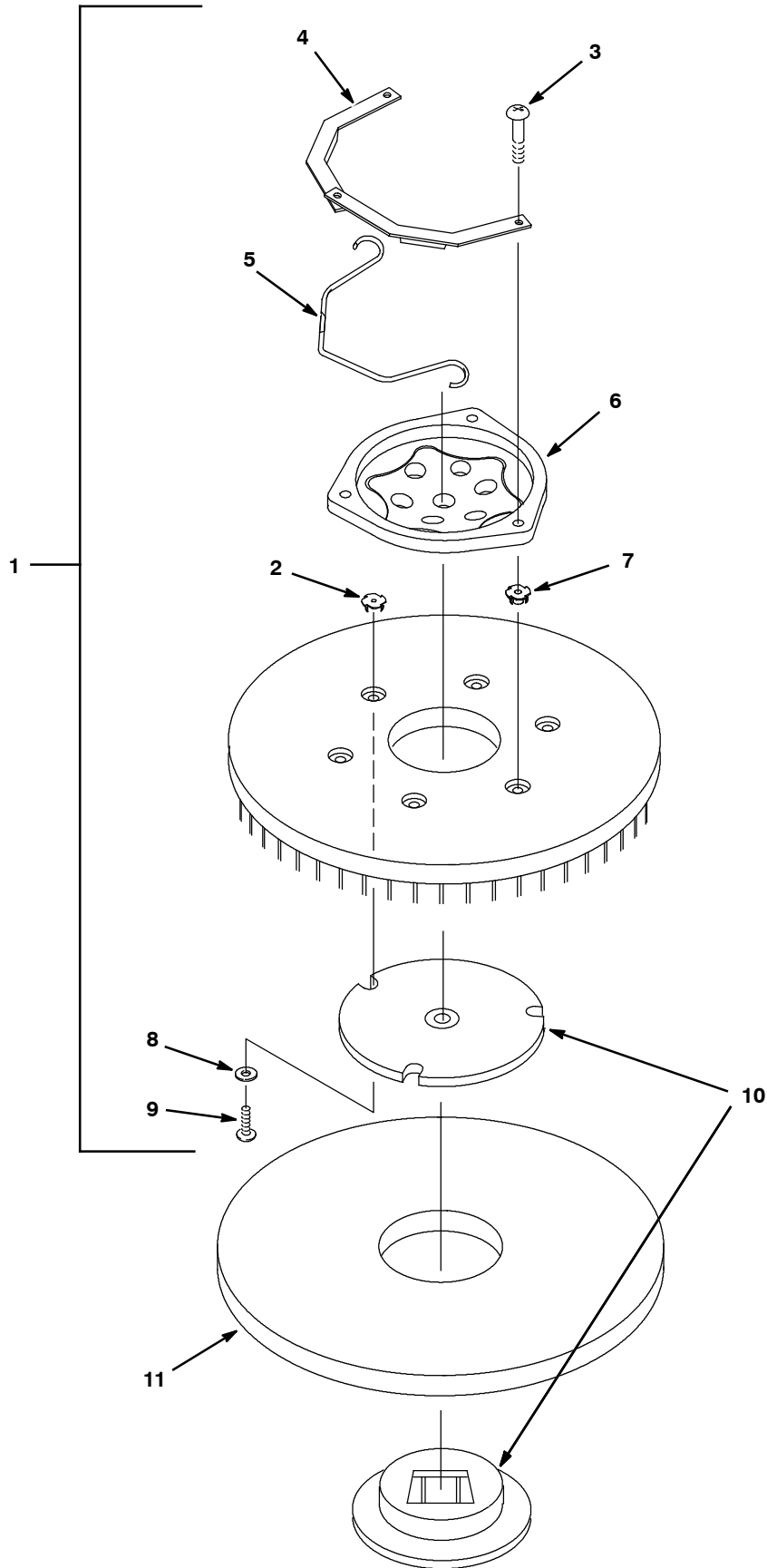
PAD DRIVER GROUP



## PAD DRIVER GROUP

Ref.	Part No.	Serial Number	Description	Qty.
1	385944	(00000000-	) Driver Assy, Pad, 12 D, Brush	2
1	399249	(00000000-	) Driver Assy, Pad, 14 D, Brush	2
1	399250	(00000000-	) Driver Assy, Pad, 16 D, Brush	2
2	10908	(00000000-	) Nut, T, M4 X 0.7	3
3	32747	(00000000-	) Screw, Pan, M6 X 1.0 X 40, Ss	3
4	21852	(00000000-	) Bracket, Retainer, Spring	2
5	21853	(00000000-	) Spring, Wir, 0.16d, Brush Retaining (12" Driver Assy)	1
5	1028905	(00000000-	) Spring, Wir, 0.16d, Brush Retaining, (14" & 16" Driver Assy)	1
6	1017112	(00000000-	) Hub, Drive, Brush, Disk, 3hole 5.8bc	1
7	05709	(00000000-	) Nut, T, M6 X 1.00	3
8	41579	(00000000-	) Washer, Flat, #8, Ss	3
9	04403	(00000000-	) Screw, Pan, M4 X 0.7 X 25, Ss, NI	3
10	370095	(00000000-	) Device, Centering, Clip- On, Teal, Gf Pp	1
11	385940	(00000000-	) Pad, Polish, 12.0d, White [1pad=1pc] (Polishing)	2
11	385941	(00000000-	) Pad, Buff, 12.0d, Red [1pad=1pc] (Light Scrubbing & Buffing)	2
11	385942	(00000000-	) Pad, Scb, 12.0d, Blu [1pick = 1 Pad] (Blue) (Medium Scrubbing)	2
11	385943	(00000000-	) Pad, Stripping, 12.0d, Brown [1pad=1pc] (Deep Scrubbing & Stripping)	2
11	1051020	(00000000-	) Pad, Surf Prep, 12.0d [Mar, 1pick=1pad] (Maroon) (Surface Preparation)	2
11	222324	(00000000-	) Pad, Polish, 14.0d, White [1pad=1pc] (Polishing)	2
11	222325	(00000000-	) Pad, Buff, 14.0d, Red (Light Scrubbing & Buffing)	2
11	222326	(00000000-	) Pad, Scb, 14.0d, Blu [1pad=1pc] (Blue) (Medium Scrubbing)	2
11	222327	(00000000-	) Pad, Stripping, 14.0d, Brown [1pad=1pc] (Deep Scrubbing & Stripping)	2
11	1051026	(00000000-	) Pad, Surf Prep, 14.0d [Mar, 1pick=1pad] (Maroon) (Surface Preparation)	2
11	63248-4	(00000000-	) Pad, Polish, 16.0d, White [1pad=1pc] (Polishing)	2
11	63248-3	(00000000-	) Pad, Buff, 16.0d, Red (Light Scrubbing & Buffing)	2
11	63248-2	(00000000-	) Pad, Scb, 16.0d, Blu [1pad=1pc] (Blue) (Medium Scrubbing)	2
11	63248-1	(00000000-	) Pad, Stripping, 16.0d, Brown [1pad=1pc] (Deep Scrubbing & Stripping)	2
11	1051027	(00000000-	) Pad, Surf Prep, 16.0d [Mar, 1pick=1pad] (Maroon) (Surface Preparation)	2

PAD DRIVER GROUP (JAPAN)





## PAD DRIVER GROUP (JAPAN)

Ref.	Part No.	Serial Number	Description	Qty.
1	385944	(00000000-	) Driver Assy, Pad, 12 D, Brush	2
1	399249	(00000000-	) Driver Assy, Pad, 14 D, Brush	2
1	399250	(00000000-	) Driver Assy, Pad, 16 D, Brush	2
2	10908	(00000000-	) Nut, T, M4 X 0.7	3
3	32747	(00000000-	) Screw, Pan, M6 X 1.0 X 40, Ss	3
4	21852	(00000000-	) Bracket, Retainer, Spring	2
5	21853	(00000000-	) Spring, Wir, 0.16d, Brush Retaining (12" Driver Assy)	1
5	1028905	(00000000-	) Spring, Wir, 0.16d, Brush Retaining, (14" & 16" Driver Assy)	1
6	1017112	(00000000-	) Hub, Drive, Brush, Disk, 3hole 5.8bc	1
7	05709	(00000000-	) Nut, T, M6 X 1.00	3
8	41579	(00000000-	) Washer, Flat, #8, Ss	3
9	04403	(00000000-	) Screw, Pan, M4 X 0.7 X 25, Ss, NI	3
10	370095	(00000000-	) Device, Centering, Clip- On, Teal, Gf Pp	1
11	989977	(00000000-	) Pad, 12.00, Sapphire [5pc]	2
11	989813	(00000000-	) Pad, Stripping, 12inch, Blk [5pc]	2
11	989973	(00000000-	) Pad, 12.0, Brown [5pc] (Deep Scrubbing & Stripping)	2
11	989974	(00000000-	) Pad, 12.0, Blu [5pc] (Blue) (Medium Scrubbing)	2
11	989975	(00000000-	) Pad, 12.0, Red [5pc] (Light Scrubbing & Buffing)	2
11	989909	(00000000-	) Jumbo Tan 12"	2
11	989980	(00000000-	) Pad, 12.0, White [5pc] (Polishing)	2
11	630660	(00000000-	) Pad, 14.0 [Sapphire, Case Of 5]	2
11	630653	(00000000-	) Pad, 14.0, Brown [Case Of 5] (Deep Scrubbing & Stripping)	2
11	630654	(00000000-	) Pad, 14.0, Blu [Case Of 5] (Blue) (Medium Scrubbing)	2
11	630655	(00000000-	) Pad, 14.0, Red [Case Of 5] (Light Scrubbing & Buffing)	2
11	989806	(00000000-	) Jumbo Tan 14"	2
11	989981	(00000000-	) Pad, 14.0, White [5pc] (Polishing)	2
11	630642	(00000000-	) Pad, Stripping, 16.0[Sapphire,Case Of 5]	2
11	989814	(00000000-	) Pad, Stripping, 16inch, Blk	2
11	630643	(00000000-	) Pad, 16.0, Brown [Case Of 5] (Deep Scrubbing & Stripping)	2
11	630644	(00000000-	) Pad, 16.0, Blu [Case Of 5] (Blue) (Medium Scrubbing)	2
11	630645	(00000000-	) Pad, 16.0, Red [Case Of 5] (Light Scrubbing & Buffing)	2
11	989807	(00000000-	) Jumbo Tan 16"	2
11	989907	(00000000-	) Pad, 16.0, White [5pc] (Polishing)	2



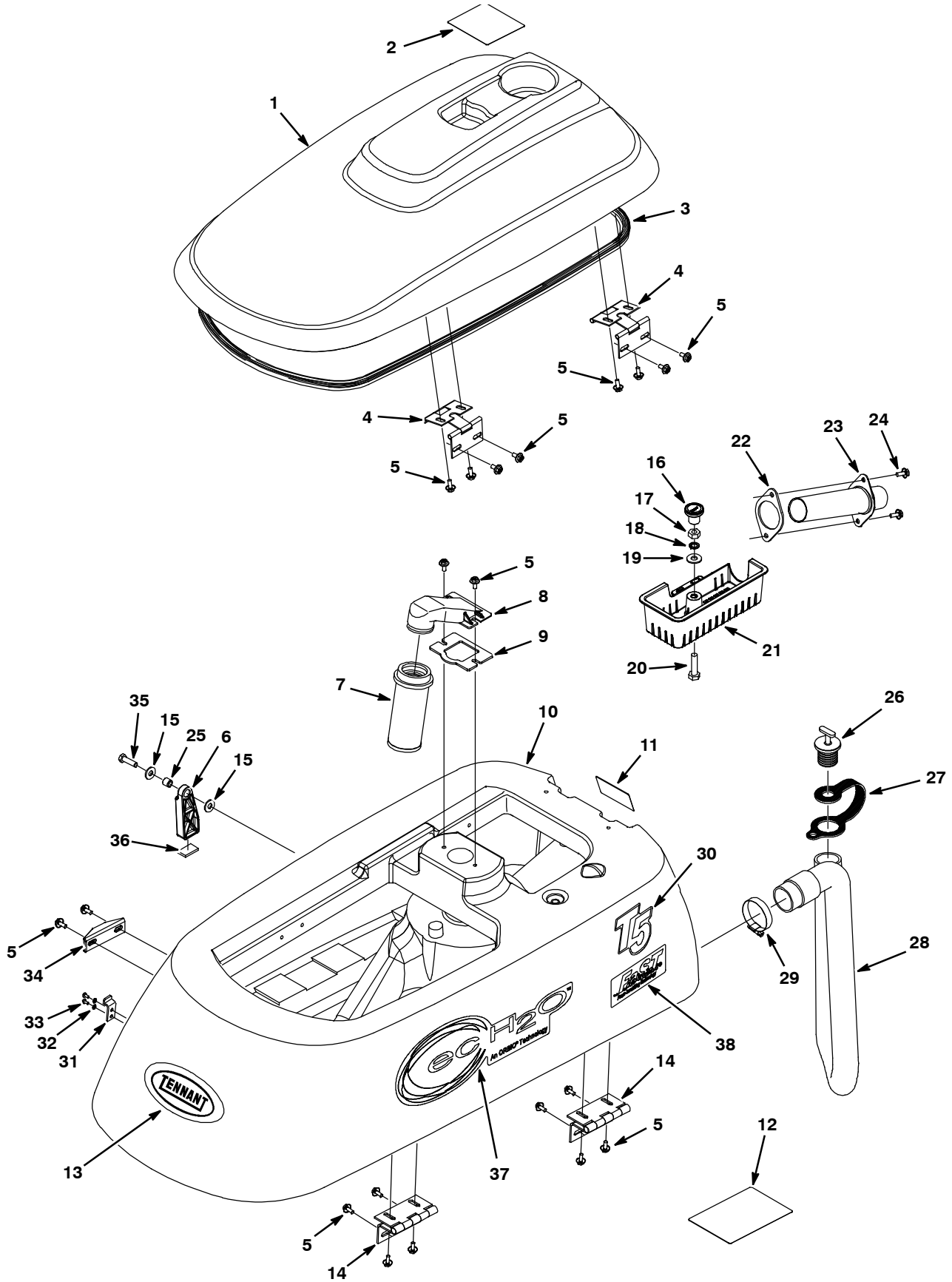
## RECOVERY TANK GROUP

Ref.	Part No.	Serial Number	Description	Qty.
▽	1	9002563	(00000000- ) Kit, Cover, Recovery Tank (Na)	1
▲	2	1026387	(00000000- ) Label, Warn,4x4dc Scrb/Extr/Brn En/Fr/Es	1
▲	3	1042937	(00000000- ) Gasket, Snap- In, Dual- Durometer [T5]	1
	4	1021246	(00000000- ) Hinge, 6.0 Pin, 2.5 Thk,73.5 W, 3 Leaf	2
	5	1034731	(00000000- ) Screw, Hex, M6 X 1.00 X 16, Sems, Ss	20
	6	1022399	(00000000- ) Support, Tank, Prop, Blk, Ny	1
	7	630052	(00000000- ) Float, Shut- Off, (2)Ball, 1.75d	1
	8	1011777	(00000000- ) Mount, Float, Molded	1
	9	1013628	(00000000- ) Gasket, Mtg, Float	1
▽	10	9002564	(00000000- ) Kit, Tank, Recovery (Teal)	1
▽	10	9002714	(00000000- ) Kit, Tank, Recovery Hg (Gray)	1
▲	11	391451	(00000000- ) Label, Attention Fast Users (Fast Model)	1
▲	11	1050003	(10378380- ) Label, User, Attention, Ec- H2o (ec- H2O Model)	1
▲	12	1024800	(00000000- ) Label, Instr, Battery	1
▲	13	1047746	(00000000- ) Label, Logo, 06.9l, White, [Tennant] (Teal)	1
▲	13	1047747	(00000000- ) Label, Logo, 06.9l, White, Hg, [Tennant] (Gray)	1
	14	1022380	(00000000- ) Hinge, 7mmpin 3mmthk 73.5mmw 100mml	2
	15	140027	(00000000- ) Washer, Flat, 0.35b 0.75d .04, Ss	2
	16	1024179	(00000000- ) Knob, Knurled, M10 Thread	1
	17	07787	(00000000- ) Nut, Hex, Std, M10 X 1.5, Ss	1
	18	140333	(00000000- ) Washer M10 Spltlck Ss	1
	19	01686	(00000000- ) Washer, Flat, 0.44b 1.00 .08, Ss	1
	20	05720	(00000000- ) Screw, Hex, M10 X 1.5 X 40, Ss, Fl	1
	21	1025349	(00000000- ) Tray, Debris	1
	22	1024602	(00000000- ) Gasket, Adaptor, Hose	1
	23	1021214	(00000000- ) Tube, Hose, Adapter, 1.5d	1
	24	1034731	(00000000- ) Screw, Hex, M6 X 1.00 X 16, Sems, Ss	2
	25	222460	(00000000- ) Sleeve, P/M, 0.496d 0.318b 0.50l 430ss	1
▽	26	1043538	(00000000- ) Hose Assy, Drain, 1.50id X 29.5l, Blk	1
▲▽	27	1008639	(00000000- ) Cap, Drain Assy	1
▲▲	28	1019563	(00000000- ) Strap, Drain Cap	1
▲▲	29	1008637	(00000000- ) O Ring, 1.48" Id, 1.76" Od	1
	30	11531	(00000000- ) Clamp, Hose, Wormdrive, 1.06- 2.00d, .56w	1
	31	49800	(00000000- ) Latch	1
	32	02938	(00000000- ) Washer, Lock, Int, 08 Ss	2
	33	391403	(00000000- ) Screw, Pan, M4 X 0.7 X 8, Ss	2
	34	1061143	(00000000- ) Bracket, Guide, Recvy Tank, [T5, Ss5]	1
	35	1039118	(00000000- ) Screw, Btn, M8 X 1.25 X 30, Blk	1
	36	1032763	(00000000- ) Gasket, Stand, Support	1
	37	1216520	(APR2015- ) Label, Logo [Ech2o Nano]	2
	37	1062813	(00000000- MAR2015 ) Label, Logo, 12.3l 4color [Ec- H2o]	2
	38	1024779	(00000000- ) Label, Side [T5]	2
	39	1062814	(00000000- ) Label, Logo, 06.1l White / TI [Fast]	2
	40	1217056	(APR2015- ) Label, Instr [Ec- H20 Nc]	1
	40	1071570	(00000000- MAR2015 ) Label, Instr, Ec- H2o, 4.0x6.50	1

▽ ASSEMBLY

▲ INCLUDED IN ASSEMBLY

RECOVERY TANK GROUP (JAPAN)



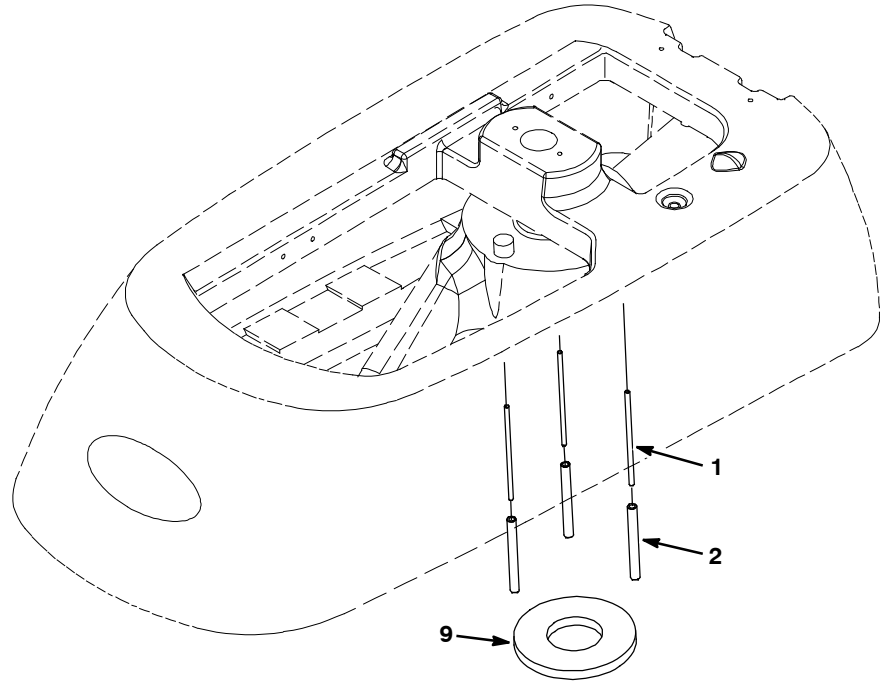
## RECOVERY TANK GROUP (JAPAN)

Ref.	Part No.	Serial Number	Description	Qty.
▽	1	9003133	(00000000- ) Cover Assy, Tank, Recvy [Japan]	1
▲	2	1016753	(00000000- ) Label, Warning, 4 X 3, Tj [Dcwb]	1
▲	3	1042937	(00000000- ) Gasket, Snap- In, Dual- Durometer [T5]	1
	4	1021246	(00000000- ) Hinge, 6.0 Pin, 2.5 Thk, 73.5 W, 3 Leaf	2
	5	1034731	(00000000- ) Screw, Hex, M6 X 1.00 X 16, Sems, Ss	20
	6	1022399	(00000000- ) Support, Tank, Prop, Blk, Ny	1
	7	630052	(00000000- ) Float, Shut- Off, (2)Ball, 1.75d	1
	8	1011777	(00000000- ) Mount, Float, Molded	1
	9	1013628	(00000000- ) Gasket, Mtg, Float	1
▽	10	9002564	(00000000- ) Kit, Tank, Recovery (Teal)	1
▲	11	391451	(00000000- ) Label, Attention Fast Users (Fast Model)	1
▲	11	1050003	(10378380- ) Label, User, Attention, Ec- H2o (ec- H2O Model)	1
▲	12	1024800	(00000000- ) Label, Instr, Battery	1
▲	13	1047746	(00000000- ) Label, Logo, 06.9l, White, [Tennant] (Teal)	1
	14	1022380	(00000000- ) Hinge, 7mmpin 3mmthk 73.5mmw 100mml	2
	15	140027	(00000000- ) Washer, Flat, 0.35b 0.75d .04, Ss	2
	16	1024179	(00000000- ) Knob, Knurled, M10 Thread	1
	17	07787	(00000000- ) Nut, Hex, Std, M10 X 1.5, Ss	1
	18	140333	(00000000- ) Washer M10 Spltlck Ss	1
	19	01686	(00000000- ) Washer, Flat, 0.44b 1.00 .08, Ss	1
	20	05720	(00000000- ) Screw, Hex, M10 X 1.5 X 40, Ss, Fl	1
	21	1025349	(00000000- ) Tray, Debris	1
	22	1024602	(00000000- ) Gasket, Adaptor, Hose	1
	23	1021214	(00000000- ) Tube, Hose, Adapter, 1.5d	1
	24	1034731	(00000000- ) Screw, Hex, M6 X 1.00 X 16, Sems, Ss	2
	25	222460	(00000000- ) Sleeve, P/M, 0.496d 0.318b 0.50l 430ss	1
	26	1051986	(10581737- ) Valve, Ball, 2way, 1.0id Pvc, W/Handle	1
	27	1051504	(10581737- ) Strap, Hose, Drain	1
	28	1051438	(10581737- ) Hose, Drain, 1.50id X 19.3l, Blk	1
	29	11531	(00000000- ) Clamp, Hose, Wormdrive, 1.06- 2.00d, .56w	1
	30	1024779	(00000000- ) Label, Side [T5]	2
	31	49800	(00000000- ) Latch	1
	32	02938	(00000000- ) Washer, Lock, Int, 08 Ss	2
	33	391403	(00000000- ) Screw, Pan, M4 X 0.7 X 8, Ss	2
	34	1061143	(00000000- ) Bracket, Guide, Recvy Tank, [T5, Ss5]	1
	35	1039118	(00000000- ) Screw, Btn, M8 X 1.25 X 30, Blk	1
	36	1032763	(00000000- ) Gasket, Stand, Support	1
	37	1216520	(APR2015- ) Label, Logo [Ech2o Nano]	2
	37	1062813	(00000000- MAR2015 ) Label, Logo, 12.3l 4color [Ec- H2o]	2
	38	1062814	(00000000- ) Label, Logo, 06.1l White / TI [Fast]	2

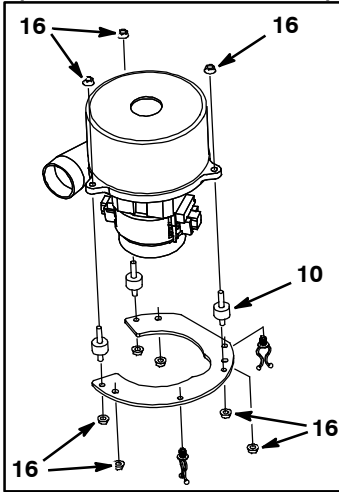
▽ ASSEMBLY

▲ INCLUDED IN ASSEMBLY

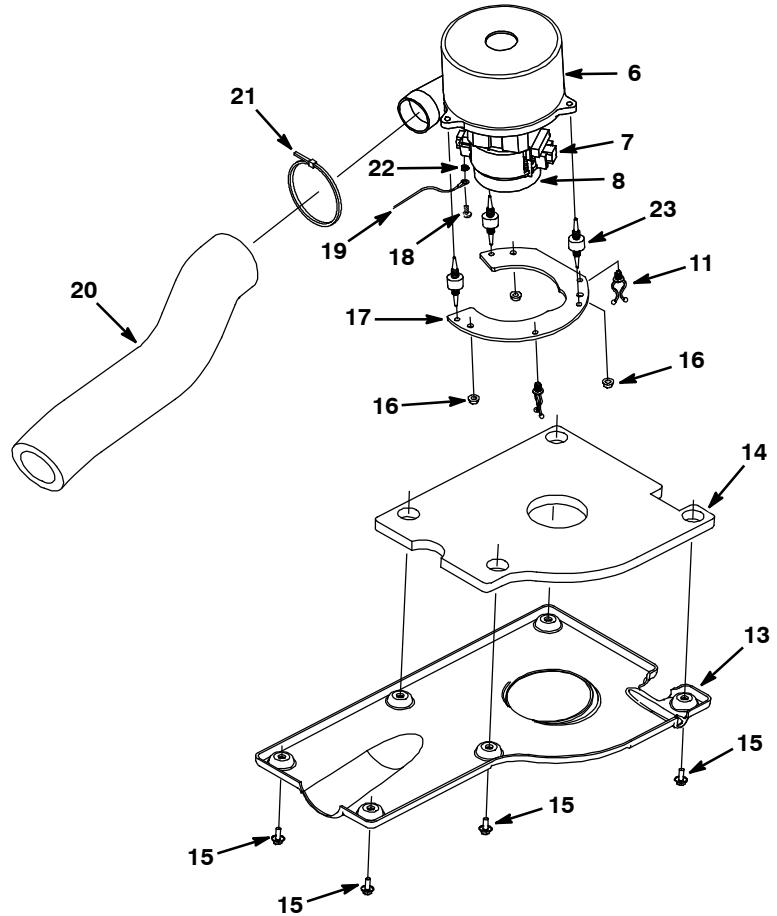
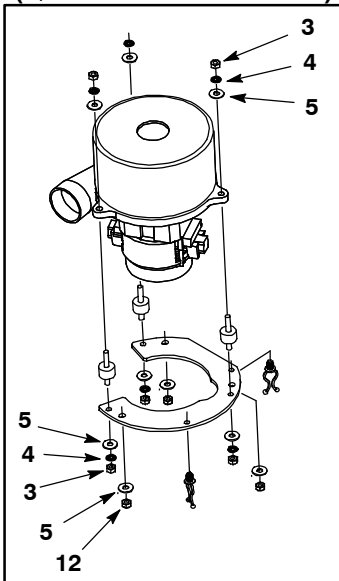
VACUUM MOTOR GROUP



(S/N 10358065- 10519188)



(S/N 00000000- 10358064)



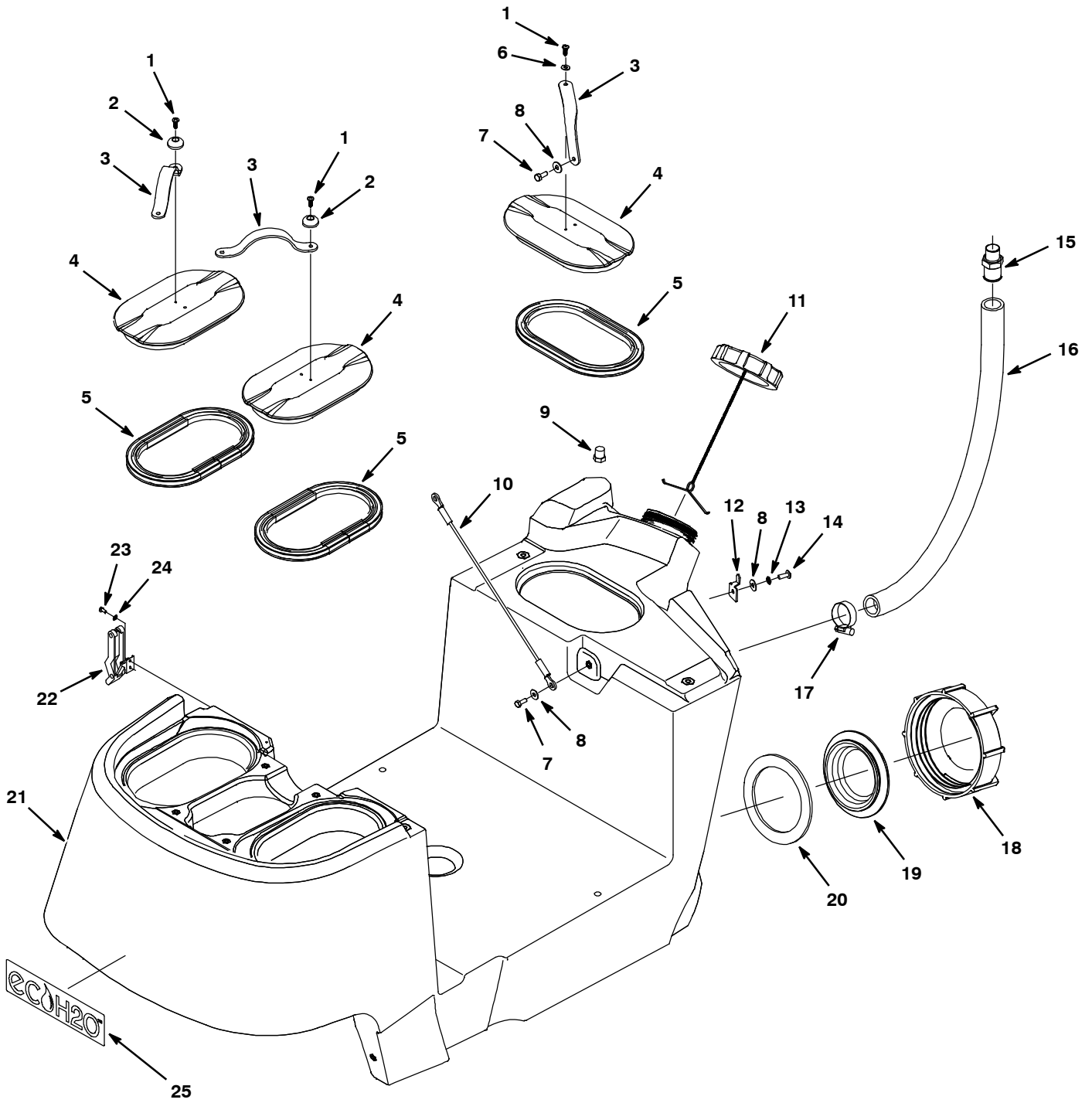
## VACUUM MOTOR GROUP

Ref.	Part No.	Serial Number	Description	Qty.	
1	1015412	(00000000-	) Rod, Thrd, Full, M06 X 1.0 05.5l	3	
2	1022406	(00000000-	) Tube, 0.43d 0.28b 04.2l, Stl, Pl	3	
3	07785	(00000000- 10358064	) Nut, Hex, Std, M6 X 1.0, A2, Ss	6	
4	07515	(00000000- 10358064	) Washer, Lock, Int, 0.25 Ss	6	
5	01684	(00000000- 10358064	) Washer, Flat, 0.25 Ss	9	
▽	6	9002562	(00000000-	) Kit, Motor, Vac	1
▲	7	1073334	(00000000-	) Brush, Carbon, Motor, Ele [1pick=1pkg] (1Pkg = 2 Brushes)	1
▲	8	130487	(00000000-	) Housing, Motor, Fan, Vent	1
▲	9	100038	(00000000-	) Gasket, Vacuum Mtr 5.7 Epdm W/Psa	1
10	1011093	(00000000- 10519188	) Isolator, Vib, .75d, M6 Stud Both Ends	3	
11	30406	(00000000-	) Clip, Keeper	3	
12	08712	(00000000- 10358064	) Nut, Hex, Lock, M6 X 1.0, Ss, NI	3	
▽	13	9002565	(00000000-	) Kit, Cover, Vac W/Foam	1
▲	14	1024112	(00000000-	) Pad, Foam, Insulator	1
15	1034731	(00000000-	) Screw, Hex, M6 X 1.00 X 16, Sems, Ss	6	
16	1040381	(10519189-	) Nut, Hex, Flng, M6 X 1.0, Ss [Serrated]	3	
16	1040381	(10358065- 10519188	) Nut, Hex, Flng, M6 X 1.0, Ss [Serrated]	9	
17	1022375	(00000000-	) Bracket, Mtg, Vacuum	1	
18	140897	(00000000-	) Screw, Hex, #10- 32 X 0.25, Sl [Ground]	1	
19	1031368	(00000000-	) Wire, 12ga [Esd, Tubular Braid]	1	
20	390677	(00000000-	) Muffler, Exhaust, Vacuum Fan, Long	1	
21	130773	(00000000-	) Tie, Cable, Nyl, 11.0l, .14w, 3.0 Max. D	1	
22	140052	(00000000-	) Washer, Lock, Ext, 0.25 Ss	1	
23	1062016	(10519189-	) Isolator, Vib, .75d	3	

▽ ASSEMBLY

▲ INCLUDED IN ASSEMBLY

SOLUTION TANK GROUP





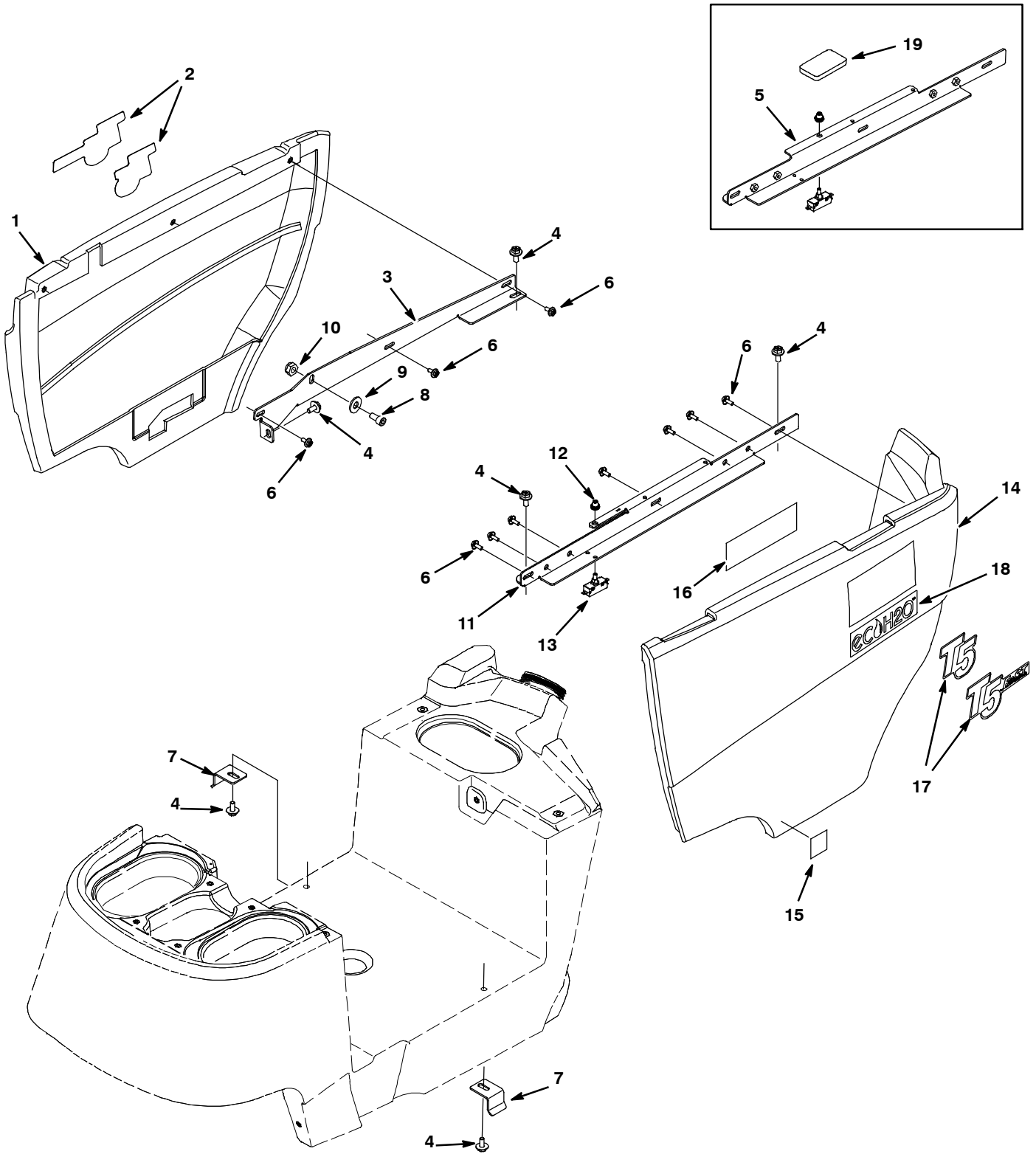
## SOLUTION TANK GROUP

Ref.	Part No.	Serial Number	Description	Qty.	
1	1018155	(00000000-	) Screw, Pan, M5 X 0.8 X16, Ss, Tcut	1	
2	361554	(00000000-	) Bumper, Rbr, 0.90d 0.38th 0.18h	1	
3	1013768	(00000000-	) Strap, Retaining, 20mm X 159mm X 3.2,Blk	3	
▽	4	9002566	(00000000-	) Kit, Cover, Solution Tank Fill	3
▲	5	1024868	(00000000-	) Gasket, Lip, Dual Durometer	3
6	01683	(00000000-	) Washer, Flat, #10 Ss	1	
7	11329	(00000000-	) Screw, Hex, M6 X 1.0 X 16, Ss, NI	13	
8	01684	(00000000-	) Washer, Flat, 0.25 Ss	14	
9	22788	(00000000-	) Fitting, Plstc, Plug, Pm04	1	
10	140960	(00000000-	) Cable, Glv .13d 014.5l .34eye /.34eye	1	
11	1028723	(00000000-	) Cap, Tank, 3.5", Non-Vented	1	
12	601460	(00000000-	) Clip, Hanger, Hose, .25d Hole, Clr Zn	1	
13	07515	(00000000-	) Washer, Lock, Int, 0.25 Ss	1	
14	608322	(00000000-	) Screw, Trs, M6 X 1.0 X 16, Phl, Ss	1	
15	1041082	(00000000-	) Fitting, Plstc, Str, Bm16/Pm12	1	
16	1023809	(00000000-	) Hose, Drain, Soltn Tank	1	
17	11399	(00000000-	) Clamp, Hose, Wormdrive, 0.81- 1.50d, .50w	1	
18	1014001	(00000000-	) Cap, Tank, Drain, Thrd	1	
19	1014029	(00000000-	) Plug, Cap, Gray	1	
20	375206	(00000000-	) Gasket, Cap, Drain, Rbr .19 4.0b 05.5d.	1	
21	9003655	(00000000-	) Tank Kit, Soltn [T5] (Teal)	1	
21	9003656	(00000000-	) Tank Kit, Soltn, HG [T5] (Gray)	1	
22	49800	(00000000-	) Latch	1	
23	391403	(00000000-	) Screw, Pan, M4 X 0.7 X 8, Ss	2	
24	02938	(00000000-	) Washer, Lock, Int, 08 Ss	2	
25	1050008	(10378380-	) Label, Front, Ec- H2o [T5/T5e] (Teal) (NLA - No Longer Available)	1	
25	1050009	(10378380-	) Label, Front, Ec- H2o [T5 Gray] (NLA - No Longer Available)	1	

▽ ASSEMBLY

▲ INCLUDED IN ASSEMBLY

SIDE PANEL GROUP



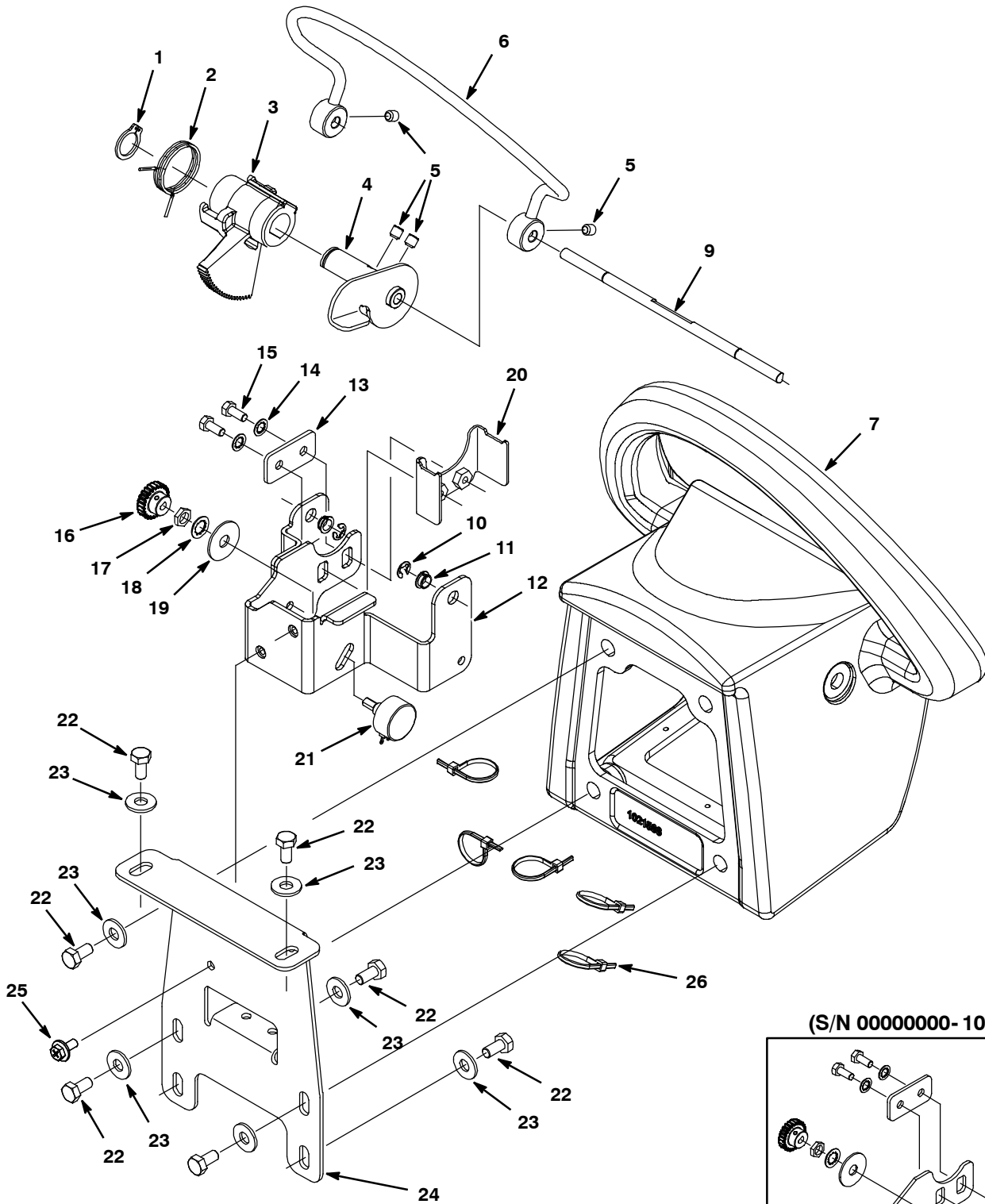
## SIDE PANEL GROUP

Ref.	Part No.	Serial Number	Description	Qty.
1	9002569	(00000000-	) Kit, Panel, Rh Side (Teal)	1
2	1024779	(00000000-	) Label, Side [T5] (Teal)	1
2	1024780	(00000000-	) Label, Side [T5 Fast] (Teal) (NLA - No Longer Available)	1
1	9002713	(00000000-	) Kit, Panel, Rh Side Hg (Gray)	1
2	1032802	(00000000-	) Label, Side, Gray [T5]	1
2	1032803	(00000000-	) Label, Side, Gray [T5 Fast]	1
3	1021323	(00000000-	) Rail, Side, Rh	1
4	1020341	(00000000-	) Screw, Hex, M8 X 1.25 X 20, Ss, Sems	6
5	1022301	(00000000- 10332238	) Rail, Side, Lh [T5]	1
6	1034731	(00000000-	) Screw, Hex, M6 X 1.00 X 16, Sems, Ss	14
7	1023684	(00000000-	) Bracket, Shroud, Bottom	2
8	607010	(00000000-	) Screw, Soc, M10 X 1.5 X 20, Ss	1
9	01686	(00000000-	) Washer, Flat, 0.44b 1.00 .08, Ss	1
10	08714	(00000000-	) Nut, Hex, Lock, M10 X 1.5, NI, Ss	1
11	1034954	(10332239-	) Rail, Side, Lh [T5]	1
12	1035711	(00000000-	) Boot, Switch, Hex Nut, .38- 32 Thd	1
13	1071996	(00000000-	) Switch, Push, Snap Action, 25a	1
∇	14	9002567	(00000000-) Kit, Panel, Lh Side W/O Charger (Teal)	1
∇	14	9002568	(00000000-) Kit, Panel, Lh Side W/Charger C/O (Teal)	1
▲	15	600624	(00000000-) Label, Parking Brake, Symbol	1
▲	16	1028175	(00000000-) Label, Instr, Charger Setting	1
	17	1024779	(00000000-) Label, Side [T5] (Teal)	1
	17	1024780	(00000000-) Label, Side [T5 Fast] (Teal) (NLA - No Longer Available)	1
	18	1050001	(10378380-) Label, Side, Ec- H2o [T3/T3e/T5/T7 ] (Teal) (NLA - Replaced by 1062813 - see page 16)	2
∇	14	9002711	(00000000-) Kit, Panel, Lh Side Hg W/O Charger (Gray)	1
∇	14	9002712	(00000000-) Kit, Panel, Lh Side Hg W/ Chgr C/O (Gray)	1
▲	15	600624	(00000000-) Label, Parking Brake, Symbol	1
▲	16	1028175	(00000000-) Label, Instr, Charger Setting	1
	17	1032802	(00000000-) Label, Side, Gray [T5]	1
	17	1032803	(00000000-) Label, Side, Gray [T5 Fast]	1
	18	1050002	(10378380-) Label, Side, Ec- H2o [T3/T5/T7 Gray] (NLA - Replaced by 1062813 - see page 16)	2
	19	1032763	(00000000- 10332238 ) Gasket, Stand, Support	1

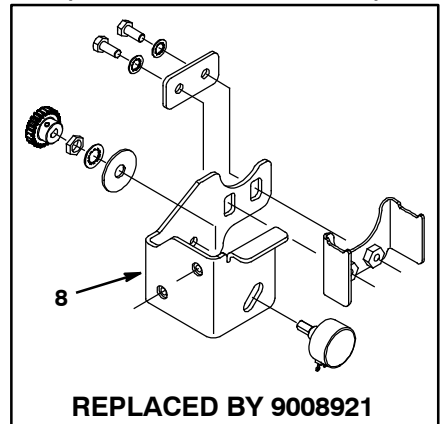
∇ ASSEMBLY

▲ INCLUDED IN ASSEMBLY

CONTROL CONSOLE GROUP



(S/N 0000000-10548347)



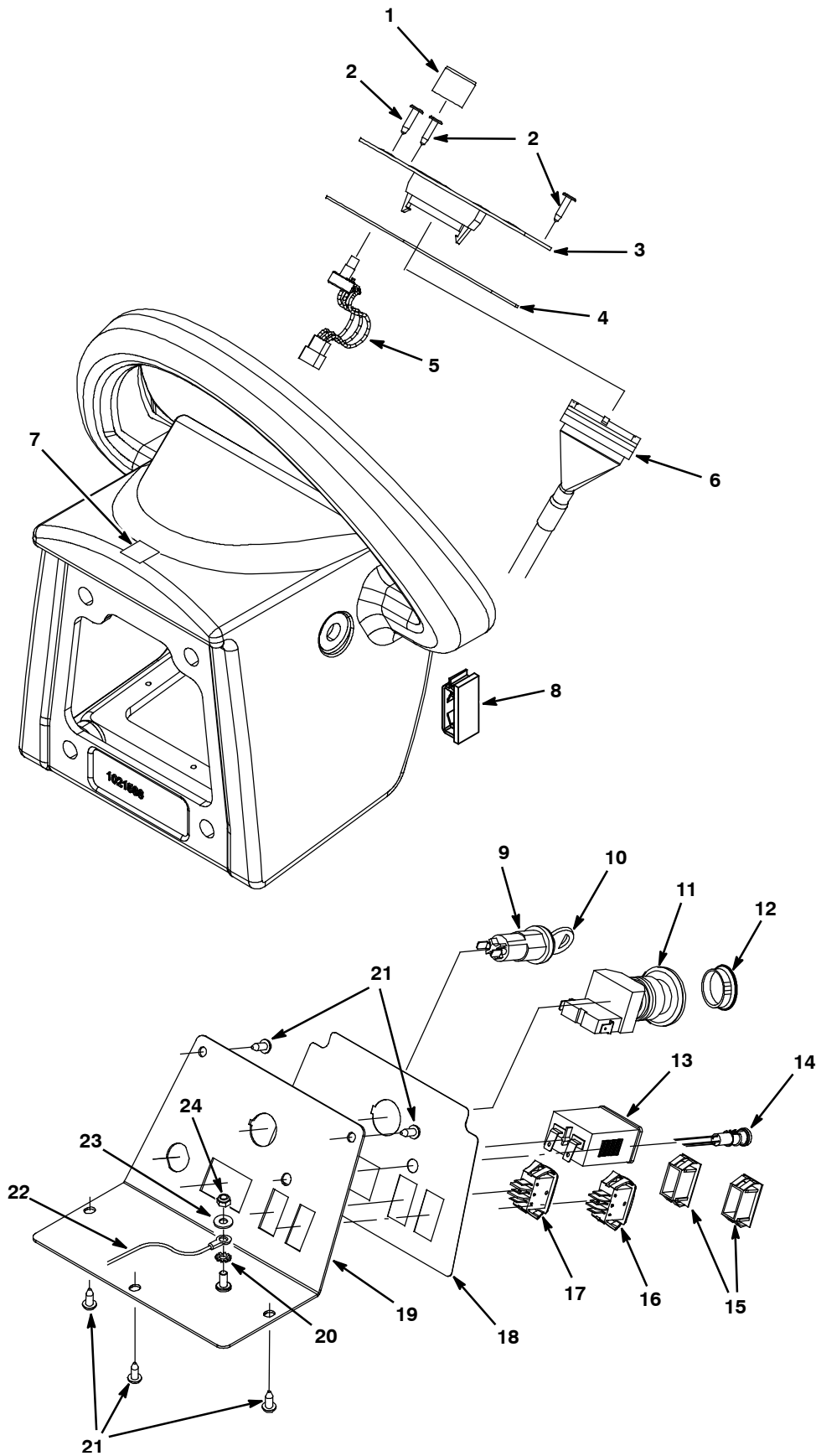
## CONTROL CONSOLE GROUP

Ref.	Part No.	Serial Number	Description	Qty.	
1	1025121	(00000000-	) Ring, Retaining, Hd Ext 19d Shaft	1	
2	630088	(00000000-	) Spring, Tors, Cntr, .072mw, Zn	1	
3	1021904	(00000000-	) Actuator, Drive, Bail	1	
4	1023869	(00000000-	) Shaft Wldt, Actuator, Bail	1	
5	1015578	(00000000-	) Screw, Set, M8 X 1.25 X 8, Cuppt, Ss, NI	4	
6	1020748	(00000000-	) Lever Wldt, Bail, Console	1	
7	9002787	(00000000-	) Housing Kit, Cntrl [T5] (Note: Before S/N 10548348 Also Order Kit 9008921)	1	
▽	8	9008921	(00000000- 10548347 ) Console Brkt Kit, Replmt [T5]	1	
▲	9	1067080	(00000000-	) Shaft, Actuator, Forward / Reverse, Rev	1
▲	10	1035139	(10548348-	) Ring, Retaining, Ext, 0.31d, E- Type	2
▲	11	1067122	(10548348-	) Spacer, Flanged, Nylon, 8mm Id	2
▲	12	1065445	(10548348-	) Bracket Wldt, Bail [T5]	1
	13	1015826	(00000000-	) Plate, Screw, Bail	1
	14	07515	(00000000-	) Washer, Lock, Int, 0.25 Ss	2
	15	15678	(00000000-	) Screw, Hex, M6 X 1.0 X 16, Ss	2
	16	1020403	(00000000-	) Gear, Spur, 24p, 24t	1
	17	222607	(00000000-	) Nut, Hex, Thin, .38- 32	1
	18	43953	(00000000-	) Washer, Lock, Int, 0.38 Ss	1
	19	32662	(00000000-	) Washer, Flat, 0.38b 1.22d .06, Ss	1
	20	1015570	(00000000-	) Bracket, Spring, Balancer, Bail	1
	21	1021853	(00000000-	) Potentiometer Assy, Throttle	1
	22	49826	(00000000-	) Screw, Hex, M8 X 1.25 X 16, Ss, NI	8
	23	01685	(00000000-	) Washer, Flat, 0.31 Ss	8
	24	1022657	(00000000-	) Bracket, Mtg, Console, T5	1
	25	1034731	(00000000-	) Screw, Hex, M6 X 1.00 X 16, Sems, Ss	2
	26	130773	(00000000-	) Tie, Cable, Nyl, 11.0l, .14w, 3.0 Max. D	5

▽ ASSEMBLY

▲ INCLUDED IN ASSEMBLY

CONTROL CONSOLE GROUP - CONT'D



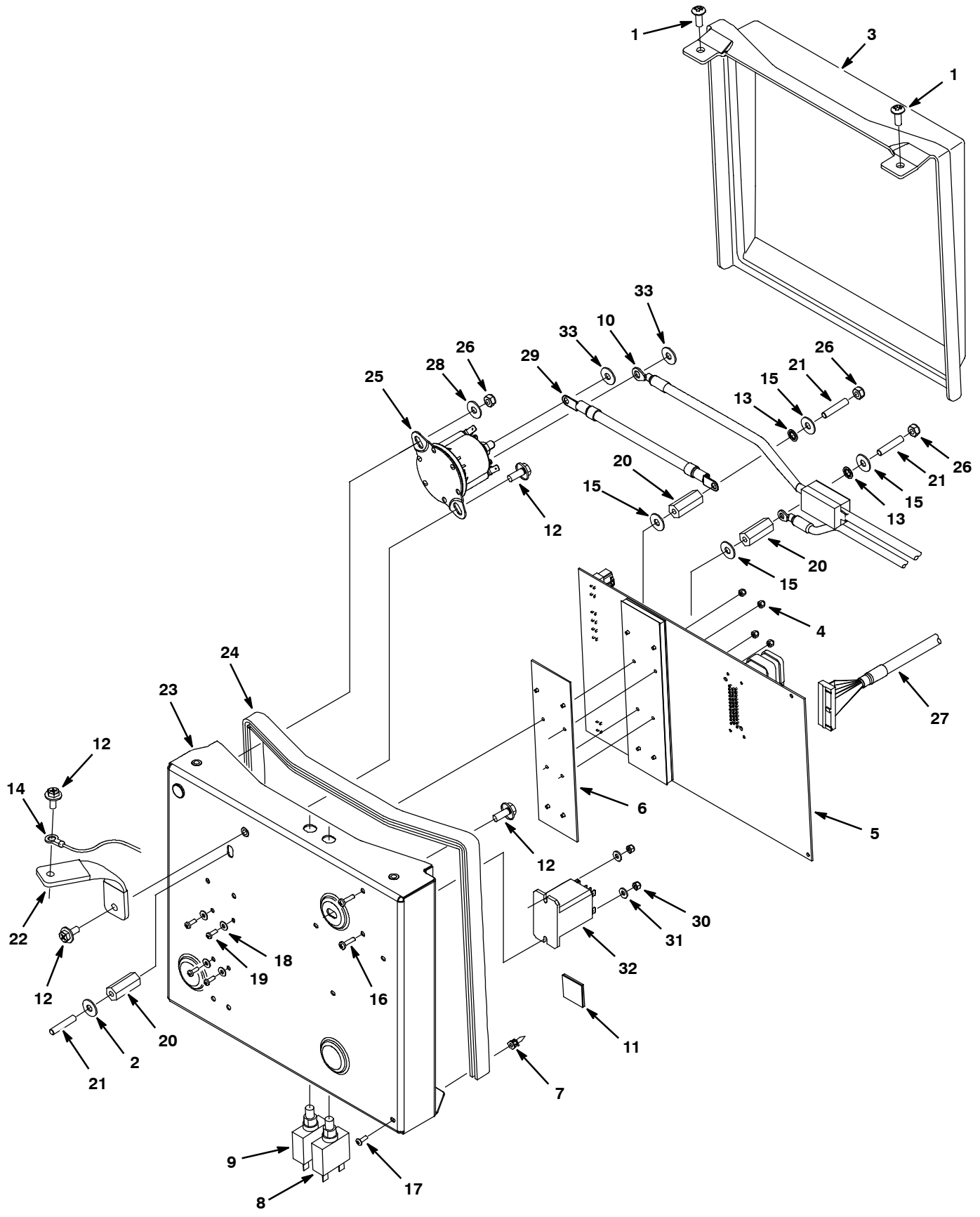
## CONTROL CONSOLE GROUP - CONT'D

Ref.	Part No.	Serial Number	Description	Qty.	
1	606550	(00000000-	) Knob, Rnd, 0.92d 0.76l 0.25b Plstc	1	
2	72969	(00000000-	) Rivet, Plstc, .181d X 0.720	3	
▽	3	9002570	(00000000-	) Kit, Panel, Upper Instmt	1
▲	4	1023554	(00000000-	) Gasket, Panel, Upper	1
5	1022706	(00000000-	) Potentiometer, Control, 0- 20k Assy	1	
6	1021778	(00000000-	) Cable, Ribbon [T5]	1	
7	1016572	(00000000-	) Label, Dir	1	
8	222666	(00000000- 10548348	) Clamp, Cable, Ribbon, 1.25w 0.25h, Plstc	1	
▽	9	1011402	(00000000-	) Switch, Key	1
▲	10	1017696	(00000000-	) Key, Replmt, Set Of 2 [F/1011402]	1
11	1011735	(10536688-	) Switch, Safety, Shutoff	1	
12	130161	(00000000- 10536687	) Plug, Hole, Rnd, 0.875d, Blk (For Models Before S/N 10536688 w/out E- Stop Switch)	1	
13	1011282	(00000000-	) Gauge, Hourmeter, 12- 60vdc, Analog,Rt,.1	1	
14	1041822	(10378380-	) Light, Led, .312D, 5 Volt [Tri- Color] (ec- H2O Model)	1	
15	582150	(00000000-	) Button, Plug, Accssry Switch	2	
16	130787	(00000000-	) Switch, Rocker, V C A Spdt (Optional Wand)	1	
17	130787	(00000000-	) Switch, Rocker, V C A Spdt (Fast & ec- H2O Models)	1	
18	1023883	(00000000-	) Label, Opertnl, Lower (Standard & Fast Models)	1	
18	1050006	(10378380-	) Label, Console, Lower Ec- H2o [T5]	1	
19	1041619	(00000000-	) Panel, Instmt, Lower Bent [T5]	1	
20	140052	(00000000-	) Washer, Lock, Ext, 0.25 Ss	1	
21	1009324	(00000000-	) Screw, Pan, #10- 16 X 0.50, Phl,Ty- 17 Blk	5	
22	1031368	(00000000-	) Wire, 12ga [Esd, Tubular Braid, T5]	1	
23	01683	(00000000-	) Washer, Flat, #10 Ss	1	
24	09739	(00000000-	) Nut, Hex, Lock, M5 X 0.8, NI, Ss	1	

▽ ASSEMBLY

▲ INCLUDED IN ASSEMBLY

COMPONENT PANEL GROUP (S/N 10632988- )





## COMPONENT PANEL GROUP (S/N 10632988- )

Ref.	Part No.	Serial Number	Description	Qty.	
1	608322	(00000000-	) Screw, Trs, M6 X 1.0 X 16, Phl, Ss	2	
2	01684	(00000000-	) Washer, Flat, 0.25 Ss	2	
3	1022820	(00000000-	) Cover, Electronics	1	
4	579211	(00000000-	) Nut, Hex, Lock, M3 X .5, Ss	4	
▽	5	9012721	(00000000-	) Circuitboard Kit, Logic [T5]	1
▲	27964	(00000000-	) Strap, Static Ground, Disposable	1	
▲	6	1016816	(00000000-	) Pad, Thermal, Heat Sink	1
▲	7	1016825	(00000000-	) Support, Circuitboard	4
8	383720	(00000000-	) Circuitbreaker, 05.0a	1	
9	383721	(00000000-	) Circuitbreaker, 10.0a	1	
10	1067443	(10632988-	) Harness, Battery, Fused, Us [T5]	1	
11	55248	(00000000-	) Mount, Cable Tie	3	
12	1034731	(00000000-	) Screw, Hex, M6 X 1.00 X 16, Sems, Ss	4	
13	32982	(10632988-	) Washer, Lock, Int, 0.25	2	
14	1029310	(00000000-	) Harness, Est	1	
15	1057560	(00000000-	) Washer, Flat, M6.4b, X 16d X 1 PI	4	
16	24265	(10306157-	) Screw, Pan, M4 X 0.7 X 16, Ss	2	
17	3701.6	(00000000-	) Screw, Pan, #06- 32 X 0.38, Phl Ss Shtmtl	4	
18	1019218	(00000000-	) Washer, Flat, 0.14b 0.31d, Nyl	4	
19	06922	(00000000-	) Screw, Pan, M3 X 0.5 X 20, 4.8	4	
20	1002078	(00000000-	) Spacer, .50x X 1.25l, M6 Thread	3	
21	1018559	(00000000-	) Screw, Set, M6 X 1.0 X 30, Ss	3	
22	1029051	(00000000-	) Strap, Static, Controller	1	
▽	23	9010098	(10632988-	) Housing Kit, Ele [T5 New Relay]	1
▲	24	1008675	(00000000-	) Gasket, Foam, Edge (Fr)	1
25	1066409	(10632988-	) Relay, 24vdc, 150a, No [Trombetta]	1	
26	41359	(10632988-	) Nut, Hex, Std, M6 X 1.0, 8	3	
27	1021778	(00000000-	) Cable, Ribbon [T5]	1	
28	32490	(10632988-	) Washer, Flat, 0.25, Std	1	
29	1067030	(10632988-	) Cable, Controller, 210mml, Red [T5]	1	
30	33932	(10306157-	) Nut, Hex, Lock, M4 X 0.70, NI, Ss	2	
31	19065	(10306157-	) Washer, Flat, #08	2	
32	1001219	(10306157-	) Relay, 24vdc, Dpdt	1	
33	1066493	(10632988-	) Washer, Flat, 0.35b 0.75d .04, PI	2	

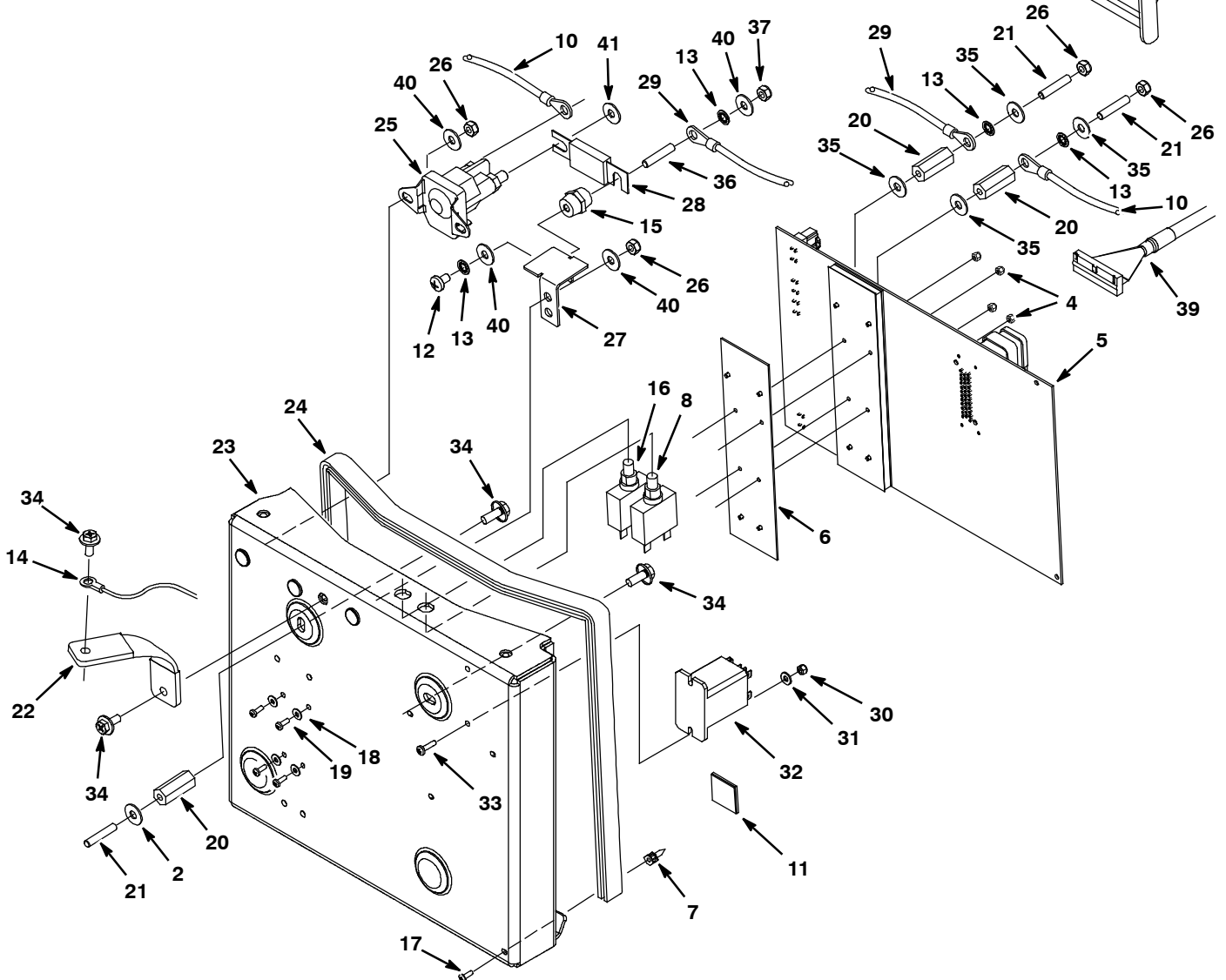
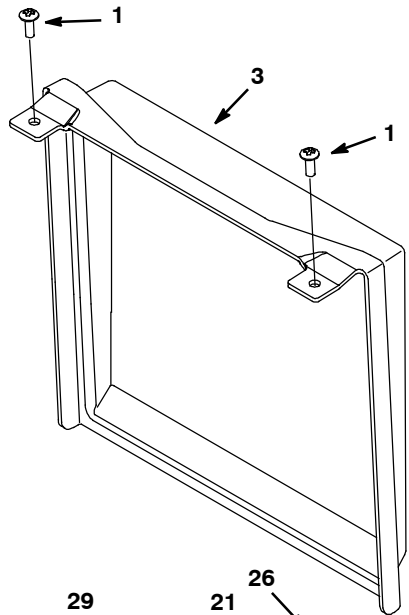
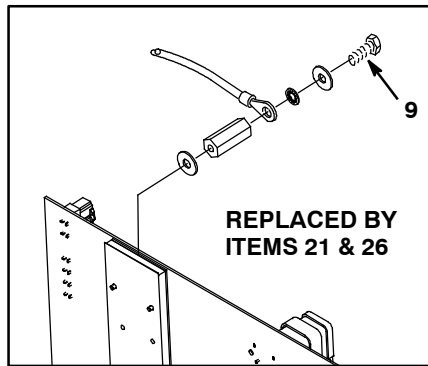
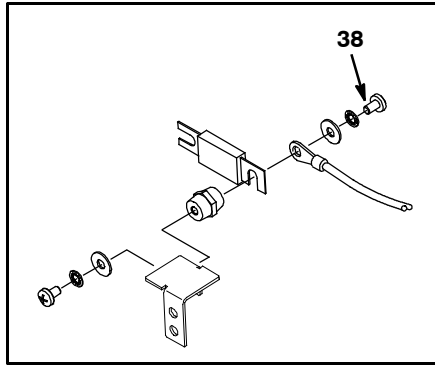
▽ ASSEMBLY

▲ INCLUDED IN ASSEMBLY

# STANDARD PARTS

## COMPONENT PANEL GROUP (S/N 0000000-10632987)

(S/N 00000000-10473939)



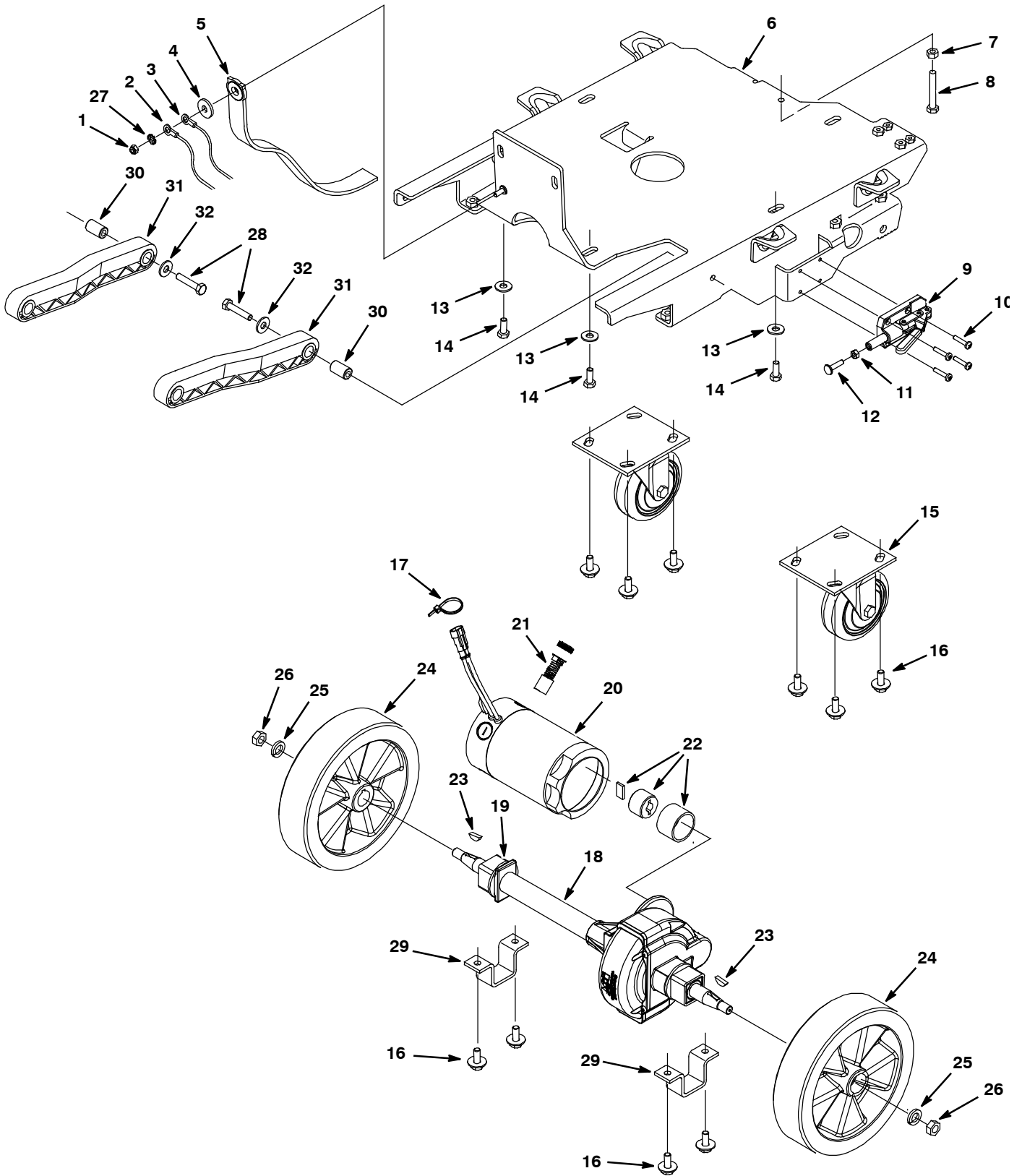
## COMPONENT PANEL GROUP (S/N 0000000- 10632987)

Ref.	Part No.	Serial Number	Description	Qty.	
1	608322	(00000000-	) Screw, Trs, M6 X 1.0 X 16, Phl, Ss	2	
2	01684	(00000000-	) Washer, Flat, 0.25 Ss	1	
3	1022820	(00000000-	) Cover, Electronics	1	
4	579211	(00000000-	) Nut, Hex, Lock, M3 X .5, Ss	4	
▽	5	9008406	(00000000-	) Circuitboard Kit, Logic [T5]	1
▲	27964	(00000000-	) Strap, Static Ground, Disposable	1	
▲	6	1016816	(00000000-	) Pad, Thermal, Heat Sink	1
▲	7	1016825	(00000000-	) Support, Circuitboard	4
8	383720	(00000000-	) Circuitbreaker, 05.0a	1	
9	11329	(00000000-	) Screw, Hex, M6 X 1.0 X 16, Ss, NI	1	
10	1024479	(00000000- 10632987	) Harness, Battery, Us	1	
11	55248	(00000000-	) Mount, Cable Tie	3	
12	48732	(10473940- 10632987	) Screw, Pan, M6 X 1.0 X 10, Ss	1	
13	32982	(00000000- 10632987	) Washer, Lock, Int, 0.25	4	
14	1029310	(00000000-	) Harness, Est	1	
15	1013523	(00000000- 10632987	) Stand- Off, Wire, M6	1	
16	383721	(00000000-	) Circuitbreaker, 10.0a	1	
17	3701.6	(00000000-	) Screw, Pan, #06- 32 X 0.38, Phl Ss Shtmtl	4	
18	1019218	(00000000-	) Washer, Flat, 0.14b 0.31d, Nyl	4	
19	06922	(00000000-	) Screw, Pan, M3 X 0.5 X 20, 4.8	4	
20	1002078	(00000000-	) Spacer, .50x X 1.25l, M6 Thread	3	
21	1018559	(00000000-	) Screw, Set, M6 X 1.0 X 30, Ss	3	
22	1029051	(00000000-	) Strap, Static, Controller	1	
▽	23	9002572	(00000000- 10632987	) Kit, Housing, Electrical	1
▲	24	1008675	(00000000-	) Gasket, Foam, Edge (Fr)	1
25	1038490	(00000000- 10632987	) Relay, 24vdc, 100a, No [Trombetta]	1	
26	41359	(00000000- 10632987	) Nut, Hex, Std, M6 X 1.0, 8	2	
27	1023868	(00000000- 10632987	) Bracket, Stand- Off	1	
28	86379	(00000000- 10632987	) Fuse, .88 X 3.2l 100a 125vac	1	
29	1024511	(00000000- 10632987	) Cable, Cntrl Red	1	
30	33932	(10306157-	) Nut, Hex, Lock, M4 X 0.70, NI, Ss	2	
31	19065	(10306157-	) Washer, Flat, #08	2	
32	1001219	(10306157-	) Relay, 24vdc, Dpdt	1	
33	24265	(10306157-	) Screw, Pan, M4 X 0.7 X 16, Ss	2	
34	1034731	(00000000-	) Screw, Hex, M6 X 1.00 X 16, Sems, Ss	4	
35	1057560	(00000000-	) Washer, Flat, M6.4b, X 16d X 1 PI	4	
36	1018559	(10473940- 10632987	) Screw, Set, M6 X 1.0 X 30, Ss	1	
37	07785	(10473940- 10632987	) Nut, Hex, Std, M6 X 1.00, Ss	1	
38	48732	(00000000- 10473939	) Screw, Pan, M6 X 1.0 X 10, Ss (Replaced By #36 & #37)	1	
39	1021778	(00000000-	) Cable, Ribbon [T5]	1	
40	32490	(00000000- 10632987	) Washer, Flat, 0.25, Std	6	
41	1066493	(00000000-	) Washer, Flat, 0.35b 0.75d .04, PI	1	

▽ ASSEMBLY

▲ INCLUDED IN ASSEMBLY

DRIVE GROUP



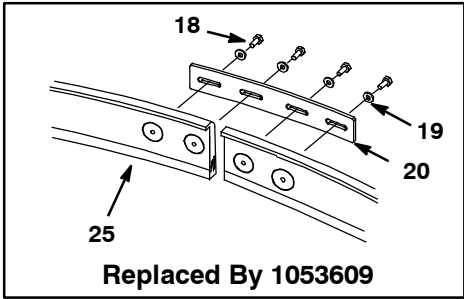
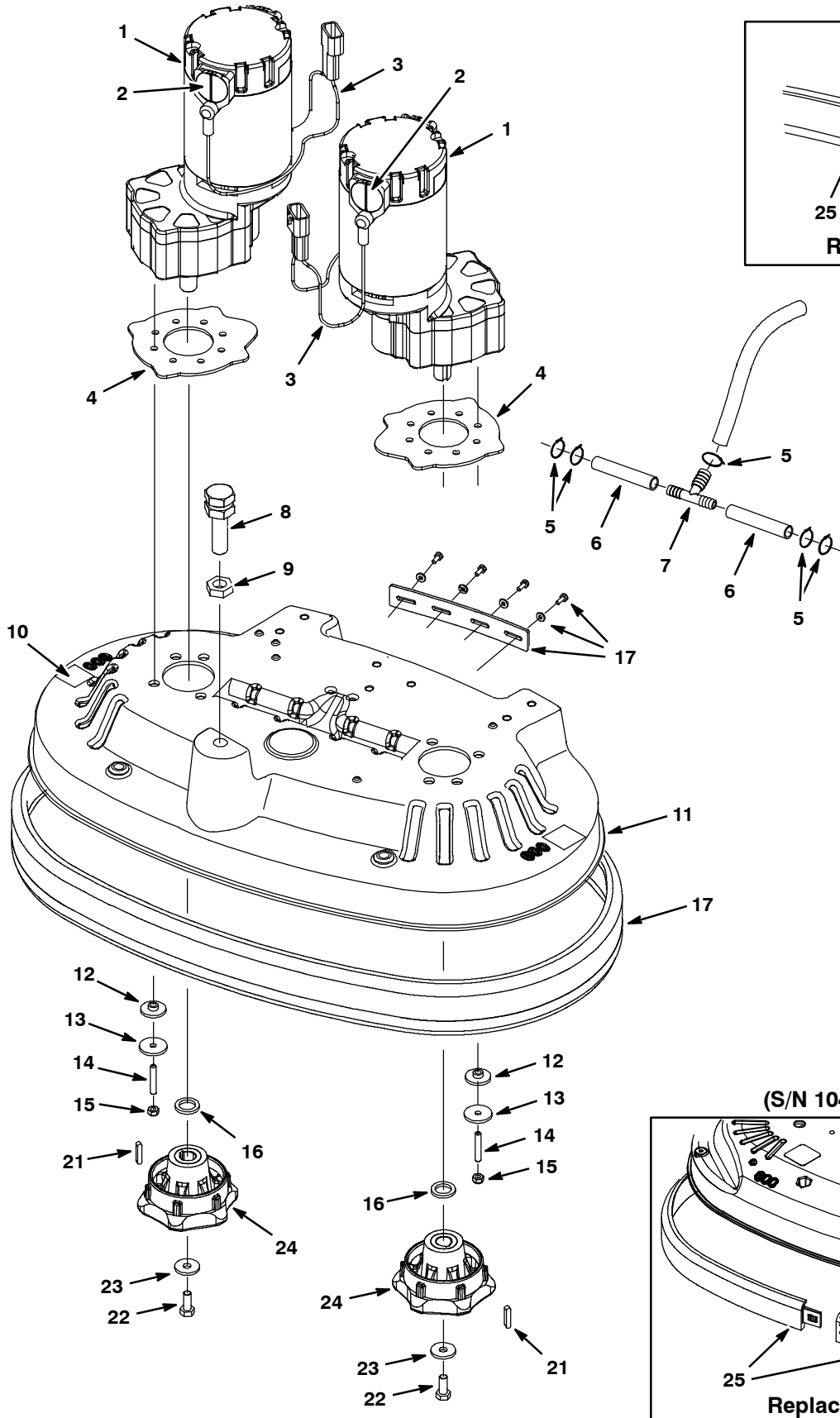
## DRIVE GROUP

Ref.	Part No.	Serial Number	Description	Qty.
1	08712	(00000000-	) Nut, Hex, Lock, M6 X 1.0, Ss, NI	1
2	1031370	(00000000-	) Wire, 12 Awg X 250mm	1
3	1029310	(00000000-	) Harness, Ground, 12 Awg	1
4	140053	(00000000-	) Washer, Flat, 0.28b 0.88d .12, Ss	1
5	1029181	(00000000-	) Strap, Static	1
6	1020959	(00000000-	) Frame Wldt, Transaxle	1
7	07786	(00000000-	) Nut, Hex, Std, M8 X 1.25, Ss	1
8	222504	(00000000-	) Screw, Hex, M8 X 1.25 X 55, Ss	1
9	1022878	(00000000-	) Clamp, Str, 30mm Strk (Optional)	1
10	55845	(00000000-	) Screw, Hex, M5 X 0.80 X 16, Fmg	4
11	07785	(00000000-	) Nut, Hex, Std, M6 X 1.0, A2, Ss	1
12	1017416	(00000000-	) Screw, Weld, M06 X 1.00 X 25, Thru, Ss	1
13	1016331	(00000000-	) Washer, Flat, 0.34b 1.25d .11, Ss	5
14	12273	(00000000-	) Screw, Hex, M8 X 1.25 X 20, Ss, NI	5
15	1049048	(00000000-	) Caster, Swivel, 4.0d 1.4w, 4hole [400lb]	2
16	1020341	(00000000-	) Screw, Hex, M8 X 1.25 X 20, Ss, Sems	12
17	130773	(00000000-	) Tie, Cable, Nyl, 11.0l, .14w, 3.0 Max. D	4
▽	18	1021168	(00000000-) Transaxle, 24vdc, 110rpm [Asi]	1
▲	19	612880	(00000000-) Sleeve, Transaxle, Replmt	2
▲▽	20	1031723	(00000000-) Motor, Transaxle, 24vdc, Replmt, Asi	1
▲▲	21	614166	(00000000-) Brush Kit, Carbon [Qty 4]	1
▲	22	1017782	(00000000-) Coupling Kit, Transaxle, Replmt [11057]	1
▲	23	1021167	(00000000-) Key, Woodruff, 5mm	2
▽		9004909	(00000000-) Wheel Kit, Solid, Ci [T5 T5e Ss5]	1
▲	24	1020688	(00000000-) Wheel, Scrbr, 213.00mm With Taper	2
	25	140024	(00000000-) Washer, Lock, Splt, 0.50, Ss	2
	26	07788	(00000000-) Nut, Hex, Std, M12 X 1.75, Ss	2
	27	140052	(00000000-) Washer, Lock, Ext, 0.25 Ss	1
	28	74440	(00000000-) Screw, Hex, M8 X 1.25 X 40, Ss, NI	2
	29	606001	(00000000-) Bracket, Transaxle, Mtg, Ylw Zn	2
	30	606056	(00000000-) Tube, 00.62d 00.32b 01.0l Stl Plt	2
	31	222027	(00000000-) Arm, Lift, Head	2
	32	01685	(00000000-) Washer, Flat, 0.31 Ss	2
	N/S	1024588	(00000000-) Harness, Chassis, Wire, Us	1

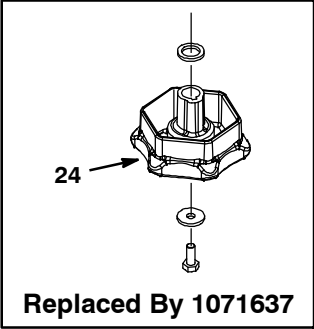
▽ ASSEMBLY

▲ INCLUDED IN ASSEMBLY

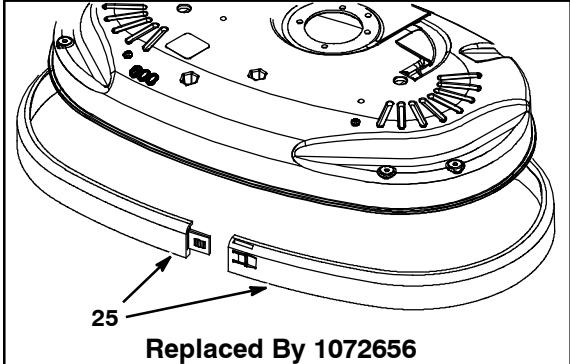
**SCRUB HEAD GROUP, DISK 24 in / 600 mm**



(S/N 0000000- 10618020)



(S/N 10443636- xxxxxxxx)



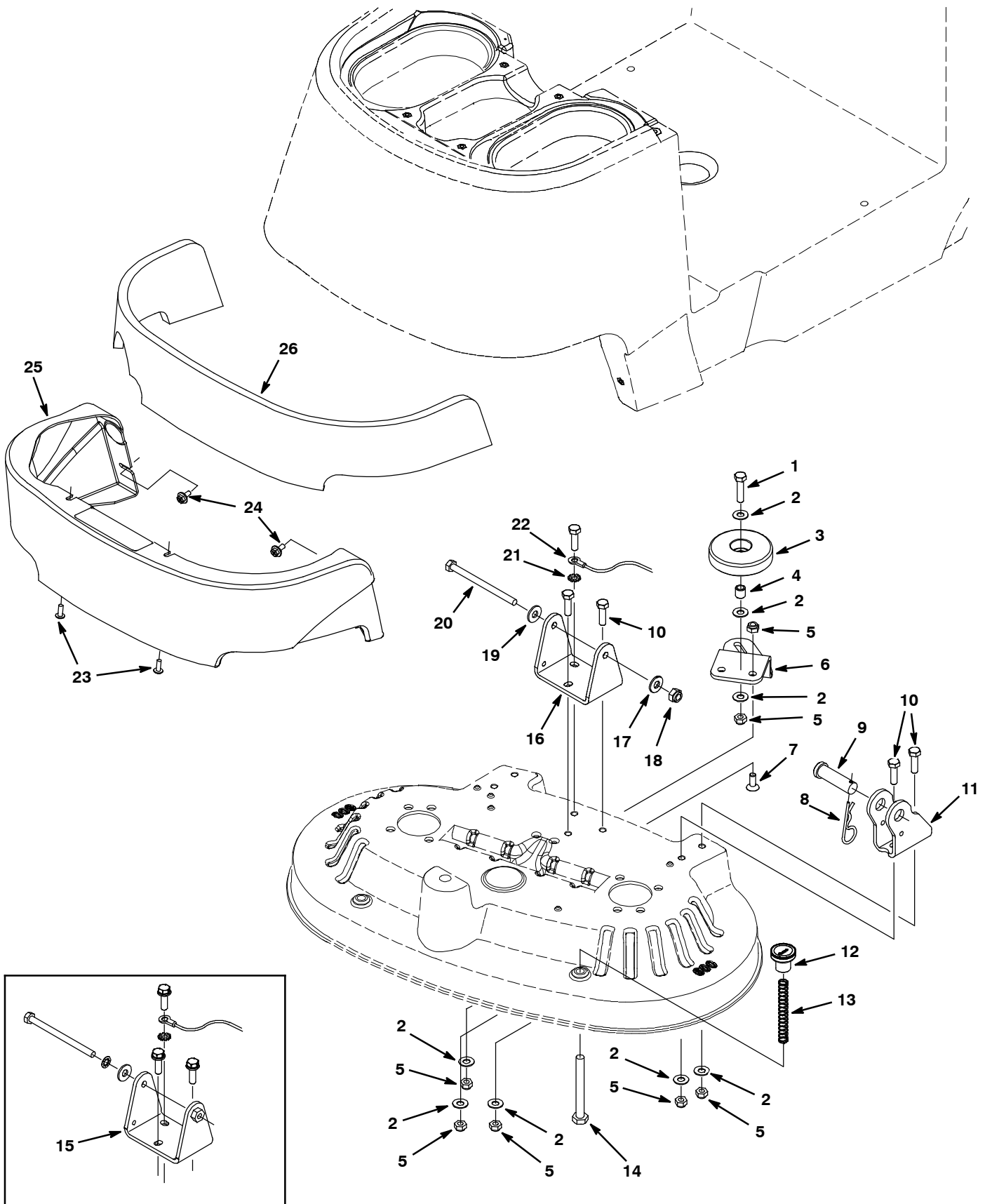
SCRUB HEAD GROUP, DISK 24 in / 600 mm

Ref.	Part No.	Serial Number	Description	Qty.
▽	1	1023067	(00000000- ) Motor, Gearbox,24vdc, 220rpm, 0.75hp	2
▲	2	1031775	(00000000- ) Brush, Brush- Motor, Afmkt	1
▲	3	1031681	(00000000- ) Harness, Connector, Brush- Motor- Us	1
	4	1024321	(00000000- ) Spacer, Rbr, Motor	2
	5	130773	(00000000- ) Tie, Cable, Nyl, 11.0l, .14w, 3.0 Max. D	7
	6	606362	(00000000- ) Hose 3/8IdX5/8OdX6.5 (611254)	2
	7	1022556	(00000000- ) Fitting, Plstc, Tee, Bm06/Bm06/Bm08	1
	8	1022424	(00000000- ) Stud, Adj, M16, Scrub Head	1
	9	763066	(00000000- ) Nut, Hex, Jam, M16 X 2.0	1
	10	578769	(00000000- ) Label, Moving Parts	2
	11	1022402	(00000000- ) Housing, Casting, Head, 60cm, Mach	1
	12	1025160	(00000000- ) Grommet, Isolator, 6b X 10od X 26.0fl	8
	13	386063	(00000000- ) Washer, Flat, 0.25b 1.12d .12, Ss	8
	14	1025853	(00000000- ) Screw, Set, M6 X 1.00 X 35, Ss, NI	8
	15	08712	(00000000- ) Nut, Hex, Lock, M6 X 1.0, Ss, NI	8
	16	1022549	(00000000- ) Spacer, Shaft, 17.15b, 25.0d, 3.0t	2
	17	1072656	(xxxxxxx- ) Bumper, Head, 60cm, Bristle Skirt (Includes Mounting Hardware & Retaining Strap)	1
	18	1020234	(00000000- 10443635 ) Screw, Hex, M4 X 0.7 X 10, Ss	4
	19	41578	(00000000- 10443635 ) Washer, Flat, #06 Ss	4
	20	1023573	(00000000- 10443635 ) Strap, Retaining, Skirt (Replaced by 1053609)	1
	21	1014328	(00000000- ) Key, Sq, 05mm X 05mm, 25l	2
	22	12273	(00000000- ) Screw, Hex, M8 X 1.25 X 20, Ss, NI	2
	23	1016331	(00000000- ) Washer, Flat, 0.34b 1.25d .11, Ss	2
	24	1071637	(10618021- ) Hub, Drive, Brush, Disk, 17mmb	2
	24	1022550	(00000000- 10618020 ) Hub, Drive, Brush, Disk, 17mm (Replaced by 1071637)	2
	25	1053609	(10443636- xxxxxxxx ) Bumper, Head, 60cm, Bristle Skirt (Replaced by 1072656)	1
	25	1024938	(00000000- 10443635 ) Bumper, Head, 60cm, Bristle Skirt, Assy (Replaced by 1053609)	1

▽ ASSEMBLY

▲ INCLUDED IN ASSEMBLY

SCRUB HEAD GROUP, DISK 24 in / 600 mm - CONT'D





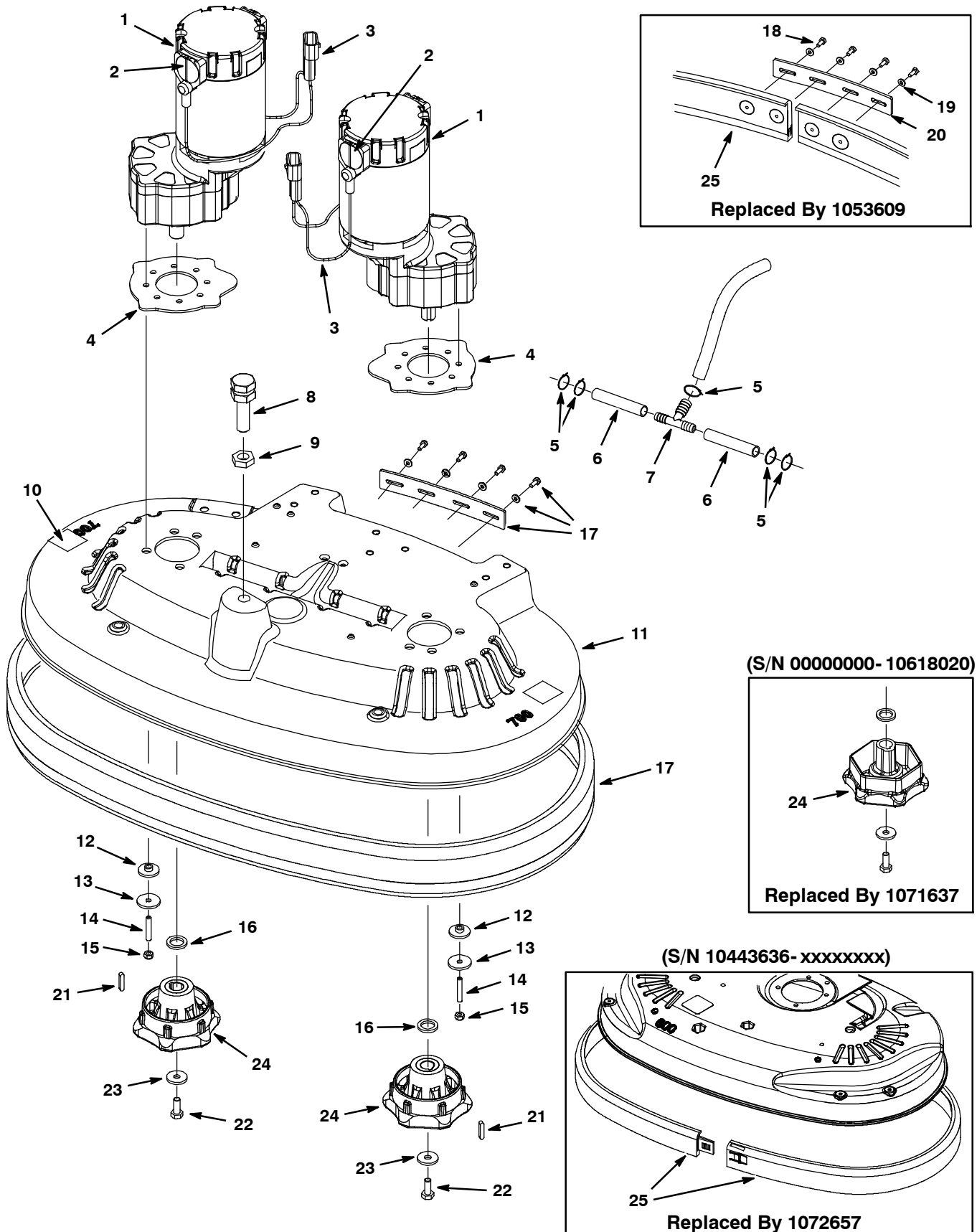
## SCRUB HEAD GROUP, DISK 24 in / 600 mm - CONT'D

Ref.	Part No.	Serial Number	Description	Qty.	
1	09023	(00000000-	) Screw, Hex, M8 X 1.25 X 35, Ss, Fl	1	
2	140027	(00000000-	) Washer, Flat, 0.35b 0.75d .04, Ss	10	
3	1010560	(00000000-	) Wheel, Bmpr, 80d X 25w, Non- Marking	1	
4	222460	(00000000-	) Sleeve, P/M, 0.496d 0.318b 0.50l 430ss	1	
5	08713	(00000000-	) Nut, Hex, Lock, M8 X 1.25, Ni, Ss	10	
6	1022344	(00000000-	) Bracket, Roller, Wall, Scrubhead, 60cm	1	
7	79246	(00000000-	) Screw, Flt, M8 X 1.25 X 20, Ss 18- 8	2	
8	02942	(00000000-	) Pin, Hair Cotter, 0.62 D .120 Wir	2	
9	222210	(00000000-	) Pin, Clevis, 0.62 D X 2.12l	2	
10	09011	(00000000-	) Screw, Hex, M8 X 1.25 X 30, Ss	7	
11	1022227	(00000000-	) Bracket, Link, Scrubhead	2	
12	1024179	(00000000-	) Knob, Knurled, M10 Thread	2	
13	626081	(00000000-	) Spring, Cmpr, 12.1d, 0.9w, 90.0l	2	
14	09746	(00000000-	) Screw, Hex, M10 X 1.5 X 90, Ss	2	
15	N/A	(00000000- 10325113	) (Replaced By Items #16, 17, & 18)	1	
16	1036022	(10325114-	) Bracket, Mtg, Actuator, Scb Head	1	
17	01685	(10325114-	) Washer, Flat, 0.31 Ss	1	
18	08713	(10325114-	) Nut, Hex, Lock, M8 X 1.25, Ni, Ss	1	
19	01685	(00000000-	) Washer, Flat, 0.31 Ss	1	
20	364441	(00000000-	) Screw, Hex, M8 X 1.25 X 110, Ss	1	
21	43952	(00000000-	) Washer, Lock, Int, 0.31, Ss	1	
22	1031370	(00000000-	) Wire, 12 Awg X 250mm	1	
23	608322	(00000000-	) Screw, Trs, M6 X 1.0 X 16, Phl, Ss	2	
24	1034731	(00000000-	) Screw, Hex, M6 X 1.00 X 16, Sems, Ss	2	
▽	25	9002676	(00000000-	) Kit, Cover, Disc- Head	1
▲	26	1024437	(00000000-	) Insulation, Sound, Front	1

▽ ASSEMBLY

▲ INCLUDED IN ASSEMBLY

SCRUB HEAD GROUP, DISK 28 in / 700 mm



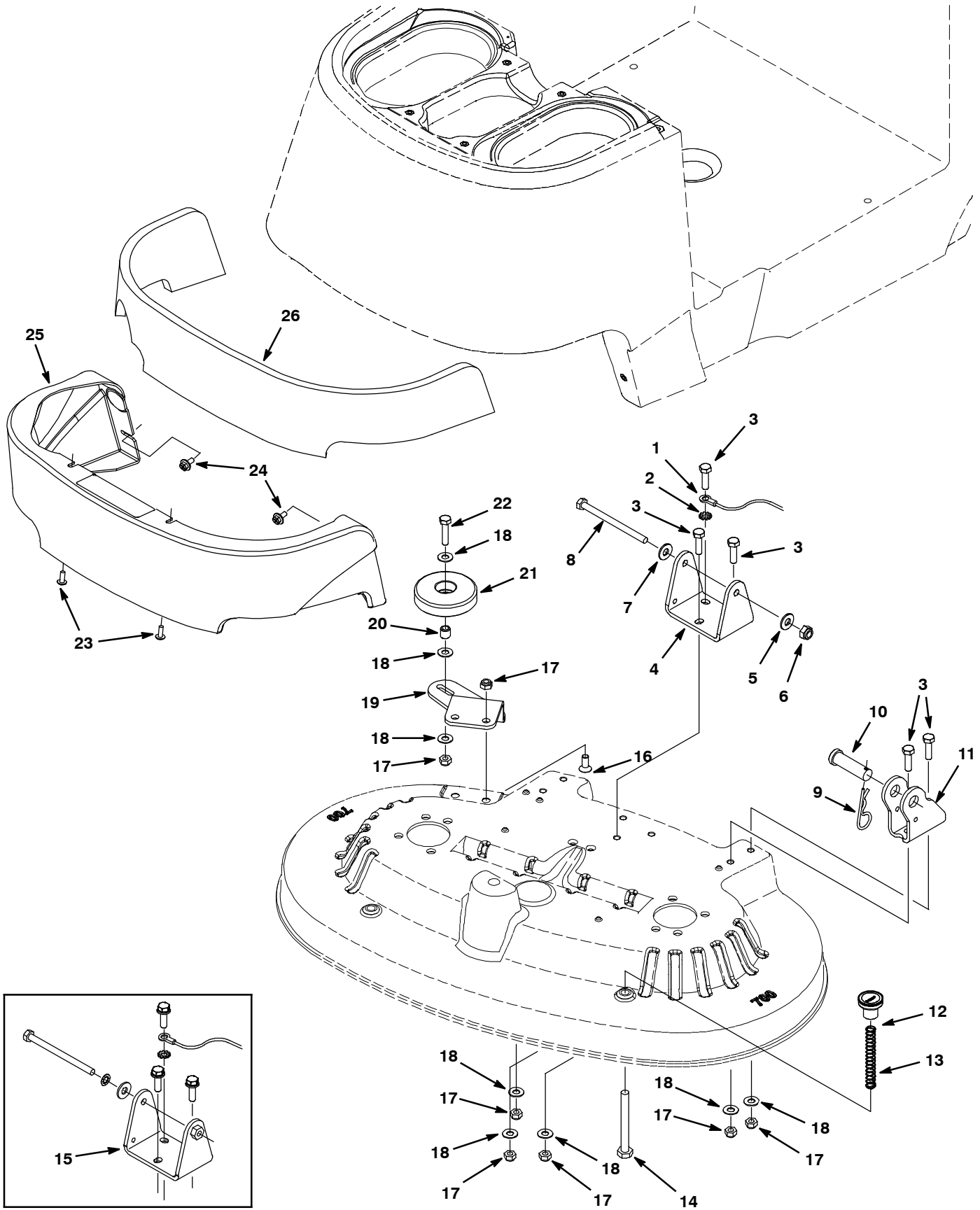
SCRUB HEAD GROUP, DISK 28 in / 700 mm

Ref.	Part No.	Serial Number	Description	Qty.
▽	1	1023067	(00000000- ) Motor, Gearbox,24vdc, 220rpm, 0.75hp	2
▲	2	1031775	(00000000- ) Brush, Brush- Motor, Afmkt	1
▲	3	1031681	(00000000- ) Harness, Connector, Brush- Motor- Us	1
	4	1024321	(00000000- ) Spacer, Rbr, Motor	2
	5	130773	(00000000- ) Tie, Cable, Nyl, 11.0l, .14w, 3.0 Max. D	7
	6	606362	(00000000- ) Hose 3/8IdX5/8OdX6.5 (611254)	2
	7	1022556	(00000000- ) Fitting, Plstc, Tee, Bm06/Bm06/Bm08	1
	8	1022424	(00000000- ) Stud, Adj, M16, Scrub Head	1
	9	763066	(00000000- ) Nut, Hex, Jam, M16 X 2.0	1
	10	578769	(00000000- ) Label, Moving Parts	2
	11	1023182	(00000000- ) Housing, Casting, Head, 70cm, Mach	1
	12	1025160	(00000000- ) Grommet, Isolator, 6b X 10od X 26.0fl	8
	13	386063	(00000000- ) Washer, Flat, 0.25b 1.12d .12, Ss	8
	14	1025853	(00000000- ) Screw, Set, M6 X 1.00 X 35, Ss, NI	8
	15	08712	(00000000- ) Nut, Hex, Lock, M6 X 1.0, Ss, NI	8
	16	1022549	(00000000- ) Spacer, Shaft, 17.15b, 25.0d, 3.0t	2
	17	1072657	(xxxxxxx- ) Bumper, Head, 70cm, Bristle Skirt (Includes Mounting Hardware & Retaining Strap)	1
	18	1020234	(00000000- 10446231 ) Screw, Hex, M4 X 0.7 X 10, Ss	4
	19	41578	(00000000- 10446231 ) Washer, Flat, #06 Ss	4
	20	1023573	(00000000- 10446231 ) Strap, Retaining, Skirt (Replaced by 1053613)	1
	21	1014328	(00000000- ) Key, Sq, 05mm X 05mm, 25l	2
	22	12273	(00000000- ) Screw, Hex, M8 X 1.25 X 20, Ss, NI	2
	23	1016331	(00000000- ) Washer, Flat, 0.34b 1.25d .11, Ss	2
	24	1071637	(10618021- ) Hub, Drive, Brush, Disk, 17mmb	2
	24	1022550	(00000000- 10618020 ) Hub, Drive, Brush, Disk, 17mm (Replaced by 1071637)	2
	25	1053613	(10446232- xxxxxxxx ) Bumper, Head, 70cm, Bristle Skirt (Replaced by 1072657)	1
	25	1023802	(00000000- 10446231 ) Bumper, Head, 70cm, Bristle Skirt, Assy (Replaced by 1053613)	1

▽ ASSEMBLY

▲ INCLUDED IN ASSEMBLY

SCRUB HEAD GROUP, DISK 28 in / 700 mm - CONT'D



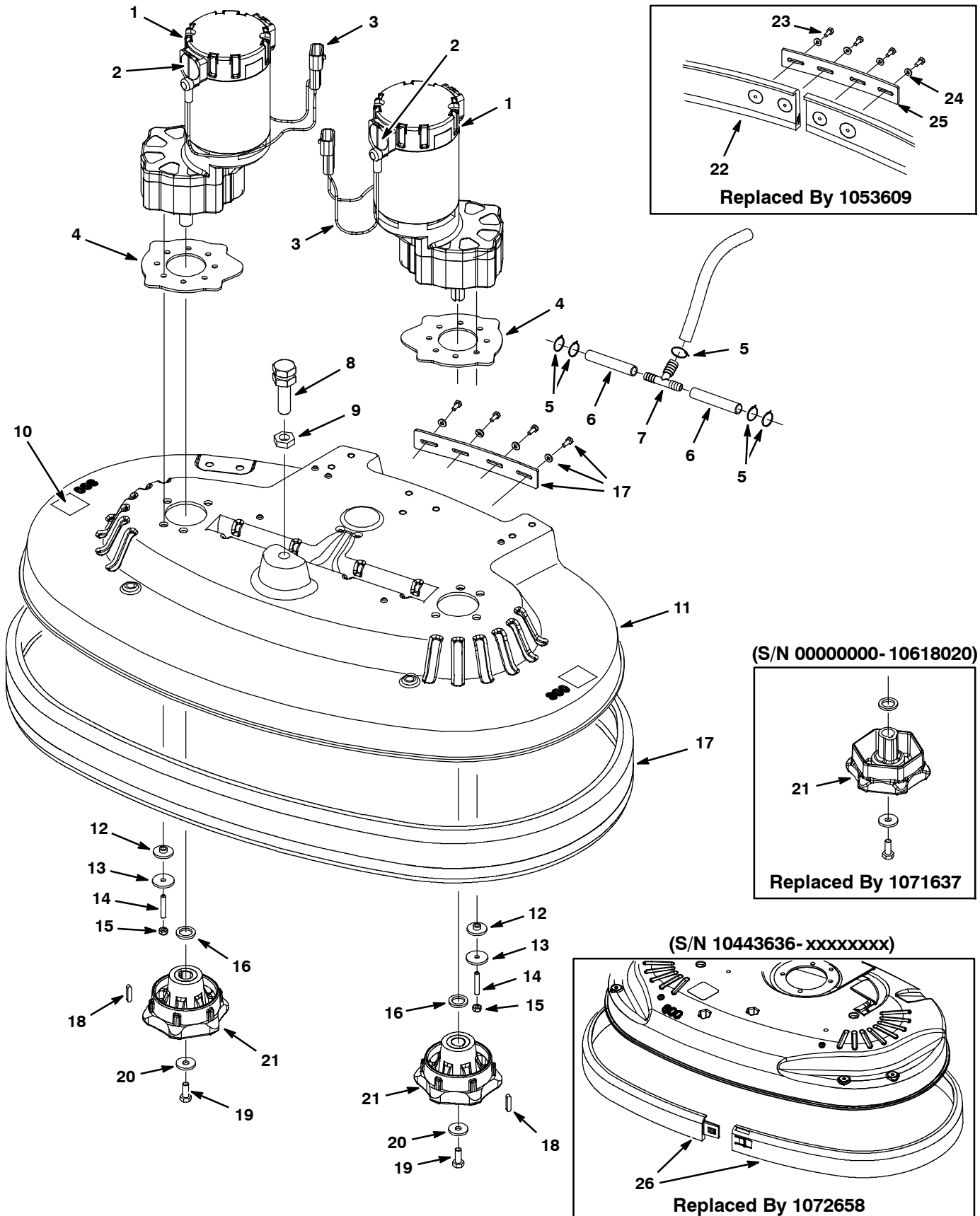
## SCRUB HEAD GROUP, DISK 28 in / 700 mm - CONT'D

Ref.	Part No.	Serial Number	Description	Qty.	
1	1031370	(00000000-	) Wire, 12 Awg X 250mm	1	
2	43952	(00000000-	) Washer, Lock, Int, 0.31, Ss	1	
3	09011	(00000000-	) Screw, Hex, M8 X 1.25 X 30, Ss	7	
4	1036022	(10325114-	) Bracket, Mtg, Actuator, Scb Head	1	
5	01685	(10325114-	) Washer, Flat, 0.31 Ss	1	
6	08713	(10325114-	) Nut, Hex, Lock, M8 X 1.25, NI, Ss	1	
7	01685	(00000000-	) Washer, Flat, 0.31 Ss	1	
8	364441	(00000000-	) Screw, Hex, M8 X 1.25 X 110, Ss	1	
9	02942	(00000000-	) Pin, Hair Cotter, 0.62 D .120 Wir	2	
10	222210	(00000000-	) Pin, Clevis, 0.62 D X 2.12l	2	
11	1022227	(00000000-	) Bracket, Link, Scrubhead	2	
12	1024179	(00000000-	) Knob, Knurled, M10 Thread	2	
13	626081	(00000000-	) Spring, Cmpr, 12.1d, 0.9w, 90.0l	2	
14	09746	(00000000-	) Screw, Hex, M10 X 1.5 X 90, Ss	2	
15	N/A	(00000000- 10325113	) (Replaced By Items #4, 5, & 6)	1	
16	79246	(00000000-	) Screw, Flt, M8 X 1.25 X 20, Ss 18- 8	2	
17	08713	(00000000-	) Nut, Hex, Lock, M8 X 1.25, NI, Ss	10	
18	140027	(00000000-	) Washer, Flat, 0.35b 0.75d .04, Ss	10	
19	1023268	(00000000-	) Bracket, Roller, Wall, Scb Head, 70cm	1	
20	222460	(00000000-	) Sleeve, P/M, 0.496d 0.318b 0.50l 430ss	1	
21	1010560	(00000000-	) Wheel, Bmpr, 80d X 25w, Non- Marking	1	
22	09023	(00000000-	) Screw, Hex, M8 X 1.25 X 35, Ss, Fl	1	
23	608322	(00000000-	) Screw, Trs, M6 X 1.0 X 16, Phl, Ss	2	
24	1034731	(00000000-	) Screw, Hex, M6 X 1.00 X 16, Sems, Ss	2	
▽	25	9002676	(00000000-	) Kit, Cover, Disc- Head	1
▲	26	1024437	(00000000-	) Insulation, Sound, Front	1

▽ ASSEMBLY

▲ INCLUDED IN ASSEMBLY

SCRUB HEAD GROUP, DISK 32 in / 800 mm



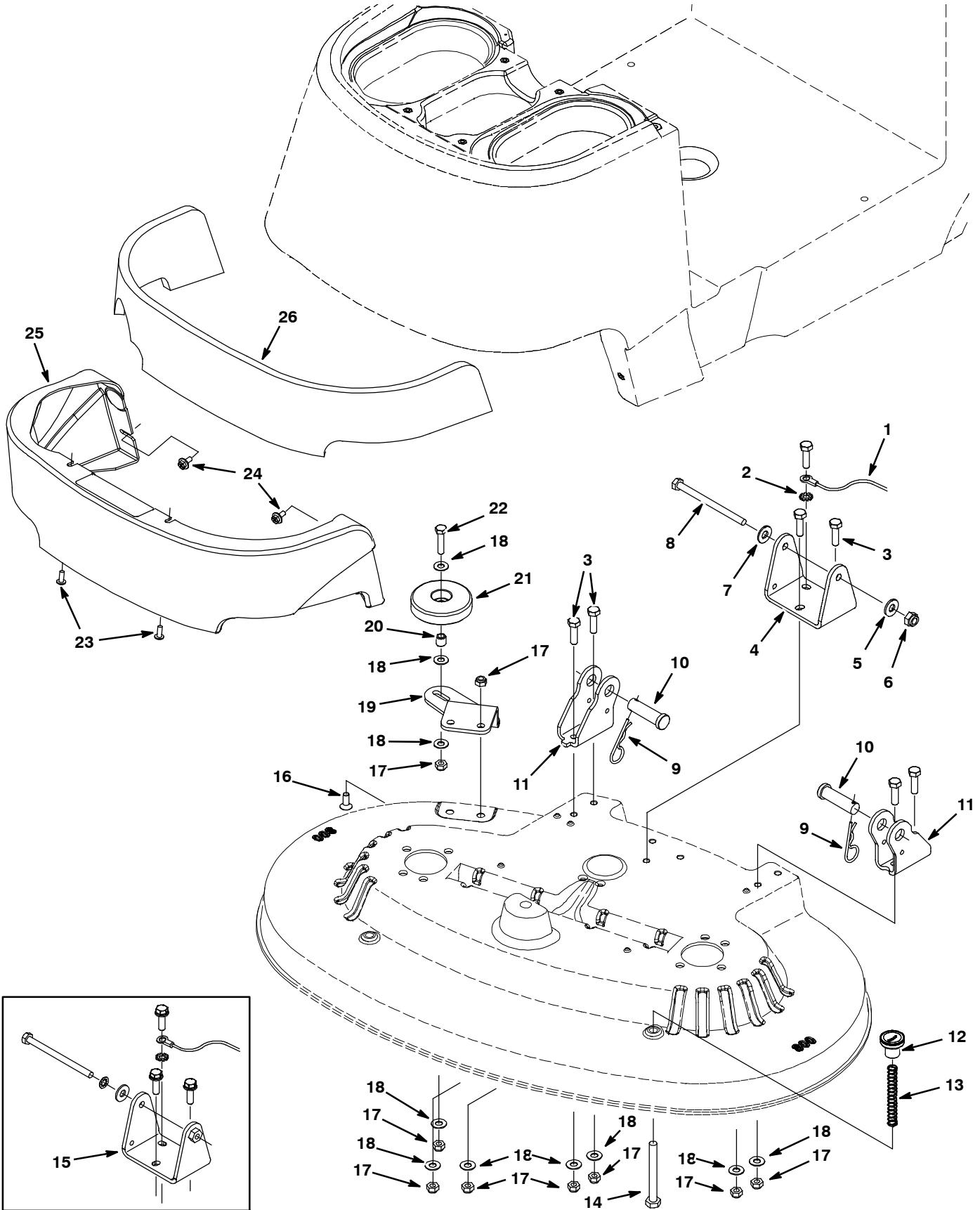
SCRUB HEAD GROUP, DISK 32 in / 800 mm

Ref.	Part No.	Serial Number	Description	Qty.
▽	1	1023067	(00000000- ) Motor, Gearbox,24vdc, 220rpm, 0.75hp	2
▲	2	1031775	(00000000- ) Brush, Brush- Motor, Afmkt	1
▲	3	1031681	(00000000- ) Harness, Connector, Brush- Motor- Us	1
	4	1024321	(00000000- ) Spacer, Rbr, Motor	2
	5	130773	(00000000- ) Tie, Cable, Nyl, 11.0l, .14w, 3.0 Max. D	7
	6	606885	(00000000- ) Hose 3/8idx5/8odx7.75 (611254)	2
	7	1022556	(00000000- ) Fitting, Plstc, Tee, Bm06/Bm06/Bm08	1
	8	1022424	(00000000- ) Stud, Adj, M16, Scrub Head	1
	9	763066	(00000000- ) Nut, Hex, Jam, M16 X 2.0	1
	10	578769	(00000000- ) Label, Moving Parts	2
	11	1023697	(00000000- ) Housing, Casting, Head, 80cm, Mach	1
	12	1025160	(00000000- ) Grommet, Isolator, 6b X 10od X 26.0fl	8
	13	386063	(00000000- ) Washer, Flat, 0.25b 1.12d .12, Ss	8
	14	1025853	(00000000- ) Screw, Set, M6 X 1.00 X 35, Ss, NI	8
	15	08712	(00000000- ) Nut, Hex, Lock, M6 X 1.0, Ss, NI	8
	16	1022549	(00000000- ) Spacer, Shaft, 17.15b, 25.0d, 3.0t	2
	17	1072658	(xxxxxxx- ) Bumper, Head, 80cm, Bristle Skirt (Includes Mounting Hardware & Retaining Strap)	1
	18	1014328	(00000000- ) Key, Sq, 05mm X 05mm, 25l	2
	19	12273	(00000000- ) Screw, Hex, M8 X 1.25 X 20, Ss, NI	2
	20	1016331	(00000000- ) Washer, Flat, 0.34b 1.25d .11, Ss	2
	21	1071637	(10618021- ) Hub, Drive, Brush, Disk, 17mmb	2
	21	1022550	(00000000- 10618020 ) Hub, Drive, Brush, Disk, 17mm (Replaced by 1071637)	2
▽	22	1024941	(00000000- 10423044 ) Bumper Assy, Skirt, Scb Head, 80cm (Replaced by 1053618)	1
▲	23	1020234	(00000000- 10423044 ) Screw, Hex, M4 X 0.7 X 10, Ss	4
▲	24	41578	(00000000- 10423044 ) Washer, Flat, #06 Ss	4
▲	25	1023573	(00000000- 10423044 ) Strap, Retaining, Skirt (Replaced by 1053618)	1
	26	1053618	(10423045- xxxxxxxx ) Bumper, Head, 80cm, Bristle Skirt (Replaced by 1072658)	1

▽ ASSEMBLY

▲ INCLUDED IN ASSEMBLY

SCRUB HEAD GROUP, DISK 32 in / 800 mm - CONT'D





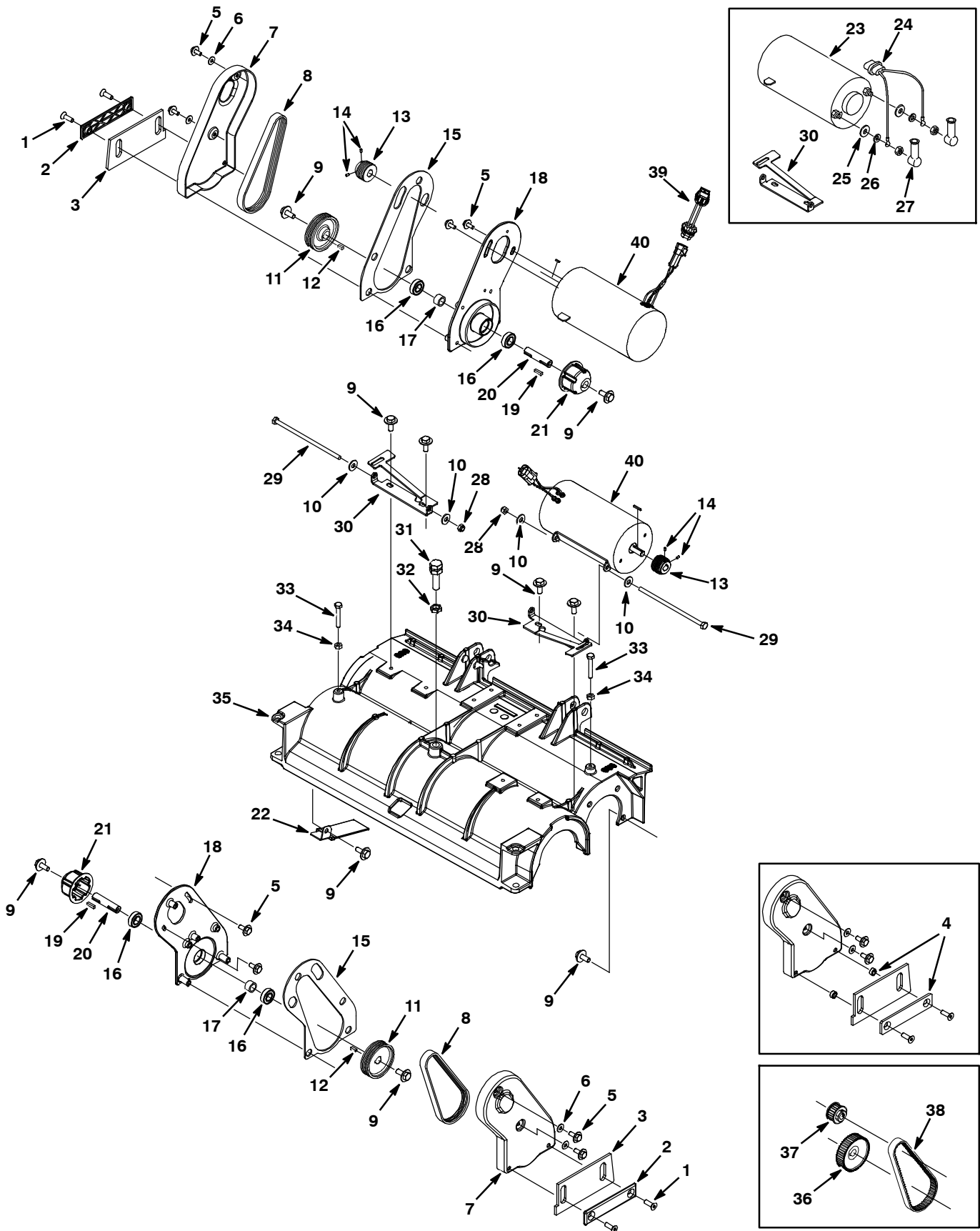
## SCRUB HEAD GROUP, DISK 32 in / 800 mm - CONT'D

Ref.	Part No.	Serial Number	Description	Qty.	
1	1031370	(00000000-	) Wire, 12 Awg X 250mm	1	
2	43952	(00000000-	) Washer, Lock, Int, 0.31, Ss	1	
3	09011	(00000000-	) Screw, Hex, M8 X 1.25 X 30, Ss	7	
4	1036022	(10325114-	) Bracket, Mtg, Actuator, Scb Head	1	
5	01685	(10325114-	) Washer, Flat, 0.38b 0.88d .08, Ss	1	
6	08713	(10325114-	) Nut, Hex, Lock, M8 X 1.25, NI, Ss	1	
7	01685	(00000000-	) Washer, Flat, 0.31 Ss	1	
8	364441	(00000000-	) Screw, Hex, M8 X 1.25 X 110, Ss	1	
9	02942	(00000000-	) Pin, Hair Cotter, 0.62 D .120 Wir	2	
10	222210	(00000000-	) Pin, Clevis, 0.62 D X 2.12l	2	
11	1022227	(00000000-	) Bracket, Link, Scrubhead	2	
12	1024179	(00000000-	) Knob, Knurled, M10 Thread	2	
13	626081	(00000000-	) Spring, Cmpr, 12.1d, 0.9w, 90.0l	2	
14	09746	(00000000-	) Screw, Hex, M10 X 1.5 X 90, Ss	2	
15	N/A	(00000000- 10325113	) (Replaced By Items #4, 5, & 6)	1	
16	79246	(00000000-	) Screw, Flt, M8 X 1.25 X 20, Ss 18- 8	2	
17	08713	(00000000-	) Nut, Hex, Lock, M8 X 1.25, NI, Ss	10	
18	140027	(00000000-	) Washer, Flat, 0.35b 0.75d .04, Ss	10	
19	1023268	(00000000-	) Bracket, Roller, Wall, Scb Head, 70cm	1	
20	222460	(00000000-	) Sleeve, P/M, 0.496d 0.318b 0.50l 430ss	1	
21	1010560	(00000000-	) Wheel, Bmpr, 80d X 25w, Non- Marking	1	
22	09023	(00000000-	) Screw, Hex, M8 X 1.25 X 35, Ss, Fl	1	
23	608322	(00000000-	) Screw, Trs, M6 X 1.0 X 16, Phl, Ss	2	
24	1034731	(00000000-	) Screw, Hex, M6 X 1.00 X 16, Sems, Ss	2	
▽	25	9002676	(00000000-	) Kit, Cover, Disc- Head	1
▲	26	1024437	(00000000-	) Insulation, Sound, Front	1

▽ ASSEMBLY|

▲ INCLUDED IN ASSEMBLY

SCRUB HEAD GROUP, CYLINDRICAL 26 in / 650 mm



SCRUB HEAD GROUP, CYLINDRICAL 26 in / 650 mm

Ref.	Part No.	Serial Number	Description	Qty.	
1	222692	(00000000-	) Screw, Flt, M8 X1.25 X 25, Ss, 18- 8, NI	4	
2	1036245	(10383861-	) Retainer, Blade, Sqge, Side, Blk, Nyl	2	
3	1026292	(00000000-	) Skirt, Side, Scb, Cyl	2	
4	N/A	(00000000- 10383860	) (Replaced By Item #2)	4	
5	1034731	(00000000-	) Screw, Hex, M6 X 1.00 X 16, Sems, Ss	8	
6	01684	(00000000-	) Washer, Flat, 0.25 Ss	4	
7	1022807	(00000000-	) Cover, Belt	2	
8	1035888	(10338658-	) Belt, Drive, 6Grv, 508l X 14w, [6Pj]	2	
9	1020341	(00000000-	) Screw, Hex, M8 X 1.25 X 20, Sems, Ss	16	
10	01685	(00000000-	) Washer, Flat, 0.31 Ss	4	
11	1035173	(10338658-	) Sheave, 06Grv, 2.96pd, 0.59b, Alm [Pj]	2	
12	00961	(00000000-	) Key, Sq, 0.19 X 0.19, 0.50l	2	
13	1033528	(10338658-	) Sheave, 06Grv, 1.33pd, 0.50b, Alm [Pj]	2	
14	222818	(00000000-	) Screw, Set, #08- 32 X 0.25, NI	4	
15	1022401	(00000000-	) Gasket, Cover, Belt	2	
16	41360	(00000000-	) Bearing, Ball, 0.59b 1.26d 0.35w [2seal]	4	
17	1002077	(00000000-	) Spacer, 0.59b 0.81d 0.50l	2	
18	1021036	(00000000-	) Bracket, Motor, Machined	2	
19	00911	(00000000-	) Key, Sq, 0.19 X 0.19, 0.75l	2	
20	1021050	(00000000-	) Shaft, Drive	2	
21	378805	(00000000-	) Plug, Drive, Brush, Mach	2	
22	1029358	(00000000-	) Deflector, Water, Cyl Head	1	
▽	23	604980	(00000000- 10419661 ) Motor, Ele, 24vdc 1500rpm 0.75hp 23.0a (Replaced By 1050369)	2	
▲	190152	(00000000- 10419661 )	Brush, Carbon [Pk=4]	2	
▲	605305	(00000000- 10419661 )	Spring, Motor, F/ Carbon Brush	8	
24	606795	(00000000- 10419661 )	Harness Motor Cyl- Brush	2	
25	140027	(00000000- 10419661 )	Washer, Flat, 0.35b 0.75d .04, Ss	4	
26	43952	(00000000- 10419661 )	Washer, Lock, Int, 0.31 Ss	4	
27	608964	(00000000- 10419661 )	Boot, 90deg .27id 0.64id 1.79l, Blk	4	
28	08713	(00000000-	) Nut, Hex, Lock, M8 X 1.25, NI, Ss	2	
29	1025026	(00000000-	) Screw, Hex, M8 X 1.25 X 180, Ss	2	
30	1044386	(00000000-	) Bracket, Mtg, Motor	2	
31	1022424	(00000000-	) Stud, Adj, M16, Scrub Head	1	
32	763066	(00000000-	) Nut, Hex, Jam, M16 X 2.0	1	
33	578717	(00000000-	) Screw, Hex, M8 X 1.25 X 50, Ss	2	
34	07786	(00000000-	) Nut, Hex, Std, M8 X 1.25, Ss	2	
35	1022624	(00000000-	) Housing, Head, 65cm Cyl, Mach	1	
36	1024636	(00000000- 10338657 )	Sprocket, 48t, 5p V2	2	
37	375195	(00000000- 10338657 )	Sprocket, Timing, 22tooth, 0.50b, [Gt/2]	2	
38	377500	(00000000- 10338657 )	Belt, Synchronous, 500l, 15mm [05p, Plychn]	2	
39	1052895	(10419662-	) Harness, Adapter, Motor [T7/T5]	1	
▽	40	1042228	(10419662-	) Motor, Ele, 24vdc 1500rpm 0.75hp 23.0a	2
▲	1049739	(10419662-	) Brush Kit, Carbon, Motor, Replmt [4pcs]	2	

▽ ASSEMBLY

▲ INCLUDED IN ASSEMBLY



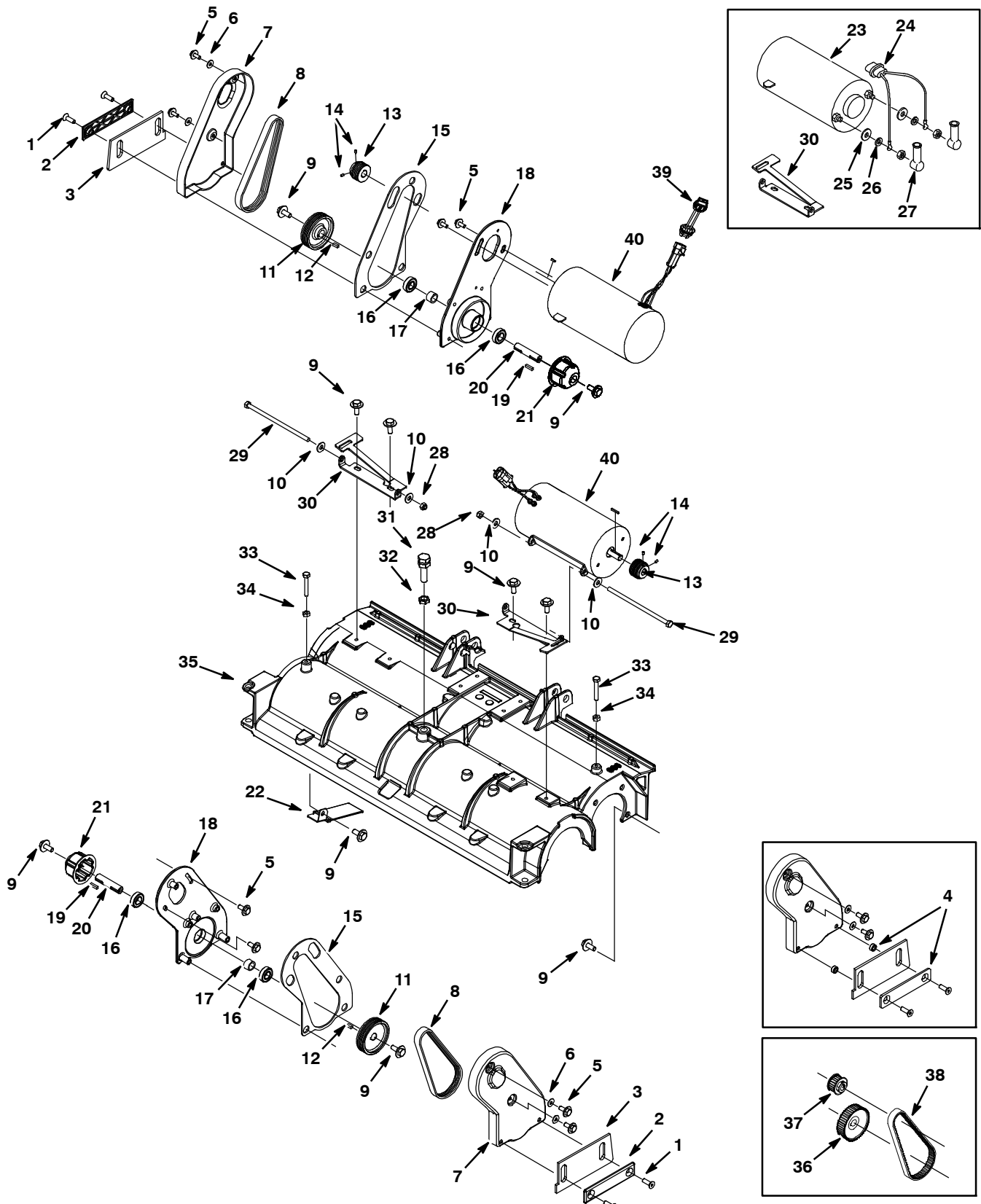
## SCRUB HEAD GROUP, CYLINDRICAL 26 in / 650 mm - CONT'D

Ref.	Part No.	Serial Number	Description	Qty.
▽	1	9002677	(00000000- ) Kit, Cover, Cyl- Head	1
▲	2	1024940	(00000000- ) Insulation, Sound, Front, Cyl Head	1
	3	1034731	(00000000- ) Screw, Hex, M6 X 1.00 X 16, Sems, Ss	6
	4	N/A	(00000000- 10383860 ) (Replaced By Item #32)	4
	5	608322	(00000000- ) Screw, Trs, M6 X 1.0 X 16, Phl, Ss	2
	6	364441	(00000000- ) Screw, Hex, M8 X 1.25 X 110, Ss	1
	7	43952	(00000000- ) Washer, Lock, Int, 0.31 Ss	1
	8	01685	(00000000- ) Washer, Flat, 0.31 Ss	1
	9	140314	(00000000- ) Clamp, Cable, Stl, 0.75d X 0.75w, 1h, Yl	1
	10	12273	(00000000- ) Screw, Hex, M8 X 1.25 X 20, Ss, NI	1
	11	1036032	(10330480- ) Bracket, Lift, Head, Rh	1
	12	1036025	(10330480- ) Bracket, Lift, Head, Lh	1
	13	01685	(00000000- ) Washer, Flat, 0.31 Ss	1
	14	08713	(10330480- ) Nut, Hex, Lock, M8 X 1.25, NI, Ss	1
	15	N/A	(00000000- 10330479 ) (Replaced By Items #11, 12, 13, & 14)	1
	16	1023465	(00000000- ) Hopper, 65cm, Rm- Blk	1
	17	02942	(00000000- ) Pin, Hair Cotter, 0.62 D .120 Wir	2
	18	222210	(00000000- ) Pin, Clevis, 0.62 D X 2.12l	2
	19	1022624	(00000000- ) Housing, Head, 65cm Cyl, Mach	1
	20	1025580	(00000000- ) Cap, Plstc, Pf12	2
	21	33584	(00000000- ) Clamp, Cable, Stl, 0.63d X 0.50w, 1h	2
	22	1034731	(00000000- ) Screw, Hex, M6 X 1.00 X 16, Sems, Ss	2
	23	1020341	(00000000- ) Screw, Hex, M8 X 1.25 X 20, Sems, Ss	3
	24	1046049	(00000000- ) Tube Assy, Bar, Spray	1
	25	64743	(00000000- ) Fitting, Plstc, Str, Bm08/Pm06	1
	26	222692	(00000000- ) Screw, Flt, M8 X1.25 X 25, Ss, 18- 8, NI	4
	27	1036245	(10383861- ) Retainer, Blade, Sqge, Side, Blk, Nyl	2
	28	1026292	(00000000- ) Skirt, Side, Scb, Cyl	2
	29	N/A	(00000000- 10383860 ) (Replaced By Item #27)	4
▽		1057922	(00000000- ) Door Assy, Cyl Head	2
▲	30	390996	(00000000- ) Screw, Flt, M10 X 1.5 X 20, 10.9, NI	1
▲	31	1044145	(00000000- ) Door, Brush	1
▲	32	01516	(00000000- ) Ring, Retaining, Ext, 0.59d, Basic	1
▲	33	222184	(00000000- ) Pin, Roll, .094 D X 0.25l, .094/.097	1
▲	34	222177	(00000000- ) Shaft, Idler Plug	1
▲	35	1057629	(00000000- ) Plug, Idler, Brush [Sgl Brg]	1
	36	08713	(10383861- ) Nut, Hex, Lock, M8 X 1.25, NI, Ss	4
	37	578769	(00000000- ) Label, Moving Parts	2
	38	222178	(00000000- ) Roller, Pyu, 1.88d 0.53b 3.05l	2
	39	578421	(00000000- ) Pin, Cotter, .125d X 1.00l	2
	40	222196	(00000000- ) Pin, Clevis, 0.50 D X 4.25l	2
	41	1031370	(00000000- ) Wire, 12 Awg X 250mm	1
	42	07785	(00000000- ) Nut, Hex, Std, M6 X 1.0, A2, Ss	4
	43	1023536	(00000000- ) Lip, Tray, Debris, Scrubhead, 65cm	1
	44	1025272	(00000000- ) Skirt, Tray, Debris, 65cm	1
	45	01684	(00000000- ) Washer, Flat, 0.27b 0.69d .05, Ss	4

▽ ASSEMBLY

▲ INCLUDED IN ASSEMBLY

SCRUB HEAD GROUP, CYLINDRICAL 32 in / 800 mm



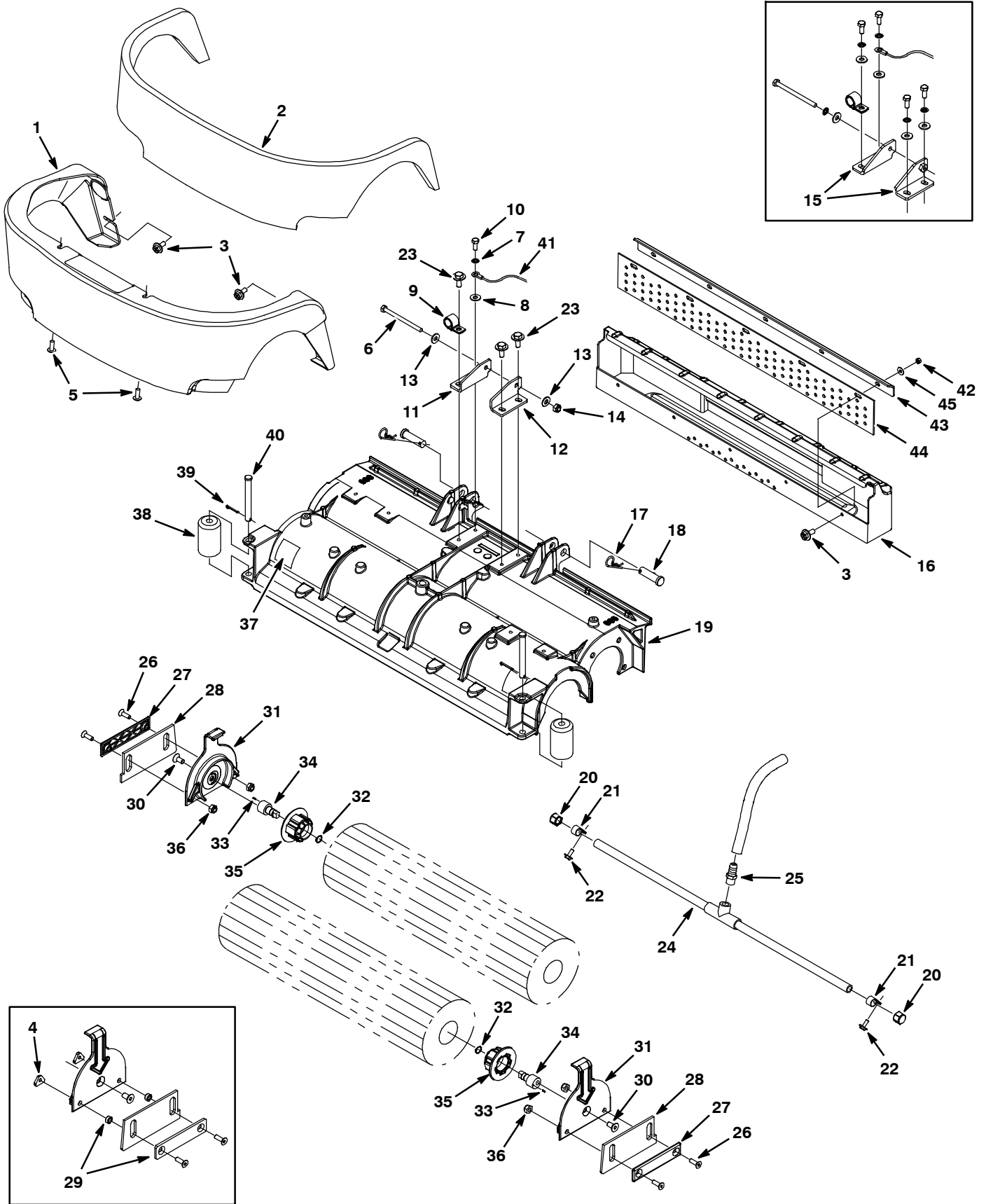
SCRUB HEAD GROUP, CYLINDRICAL 32 in / 800 mm

Ref.	Part No.	Serial Number	Description	Qty.	
1	222692	(00000000-	) Screw, Flt, M8 X1.25 X 25, Ss, 18- 8, NI	4	
2	1036245	(10353861-	) Retainer, Blade, Sqge, Side, Blk, Nyl	2	
3	1026292	(00000000-	) Skirt, Side, Scb, Cyl	2	
4	N/A	(00000000- 10353860	) (Replaced By Item #2)	4	
5	1034731	(00000000-	) Screw, Hex, M6 X 1.00 X 16, Sems, Ss	8	
6	01684	(00000000-	) Washer, Flat, 0.25 Ss	4	
7	1022807	(00000000-	) Cover, Belt	2	
8	1035888	(10338658-	) Belt, Drive, 6Grv, 508l X 14w, [6Pj]	2	
9	1020341	(00000000-	) Screw, Hex, M8 X 1.25 X 20, Sems, Ss	16	
10	01685	(00000000-	) Washer, Flat, 0.31 Ss	4	
11	1035173	(10338658-	) Sheave, 06Grv, 2.96pd, 0.59b, Alm [Pj]	2	
12	00961	(00000000-	) Key, Sq, 0.19 X 0.19, 0.50l	2	
13	1033528	(10338658-	) Sheave, 06Grv, 1.33pd, 0.50b, Alm [Pj]	2	
14	222818	(00000000-	) Screw, Set, #08- 32 X 0.25, NI	4	
15	1022401	(00000000-	) Gasket, Cover, Belt	2	
16	41360	(00000000-	) Bearing, Ball, 0.59b 1.26d 0.35w [2seal]	4	
17	1002077	(00000000-	) Spacer, 0.59b 0.81d 0.50l	2	
18	1021036	(00000000-	) Bracket, Motor, Machined	2	
19	00911	(00000000-	) Key, Sq, 0.19 X 0.19, 0.75l	2	
20	1021050	(00000000-	) Shaft, Drive	2	
21	378805	(00000000-	) Plug, Drive, Brush, Mach	2	
22	1029358	(00000000-	) Deflector, Water, Cyl Head	1	
▽	23	604980	(00000000- 10419661 ) Motor, Ele, 24vdc 1500rpm 0.75hp 23.0a (Replaced By 1050369)	2	
▲	190152	(00000000- 10419661	) Brush, Carbon [Pk=4]	2	
▲	605305	(00000000- 10419661	) Spring, Motor, F/ Carbon Brush	8	
24	606795	(00000000- 10419661	) Harness Motor Cyl- Brush	2	
25	140027	(00000000- 10419661	) Washer, Flat, 0.35b 0.75d .04, Ss	4	
26	43952	(00000000- 10419661	) Washer, Lock, Int, 0.31 Ss	4	
27	608964	(00000000- 10419661	) Boot, 90deg .27id 0.64id 1.79l, Blk	4	
28	08713	(00000000-	) Nut, Hex, Lock, M8 X 1.25, NI, Ss	2	
29	1025026	(00000000-	) Screw, Hex, M8 X 1.25 X 180, Ss	2	
30	1044386	(00000000-	) Bracket, Mtg, Motor	2	
31	1044386	(00000000-	) Stud, Adj, M16, Scrub Head	1	
32	763066	(00000000-	) Nut, Hex, Jam, M16 X 2.0	1	
33	578717	(00000000-	) Screw, Hex, M8 X 1.25 X 50, Ss	2	
34	07786	(00000000-	) Nut, Hex, Std, M8 X 1.25, Ss	2	
35	1025039	(00000000-	) Housing, Head, 80cm Cyl, Mach	1	
36	1024636	(00000000- 10338657	) Sprocket, 48t, 5p V2	2	
37	375195	(00000000- 10338657	) Sprocket, Timing, 22tooth, 0.50b, [Gt/2]	2	
38	377500	(00000000- 10338657	) Belt, Synchronous, 500l, 15mm [05p, Plychn]	2	
39	1052895	(10409662-	) Harness, Adapter, Motor [T7/T5]	1	
▽	40	1042228	(10419662-	) Motor, Ele, 24vdc 1500rpm 0.75hp 23.0a	2
▲	1049739	(10419662-	) Brush Kit, Carbon, Motor, Replmt [4pcs]	2	

▽ ASSEMBLY

▲ INCLUDED IN ASSEMBLY

SCRUB HEAD GROUP, CYLINDRICAL 32 in / 800 mm - CONT'D





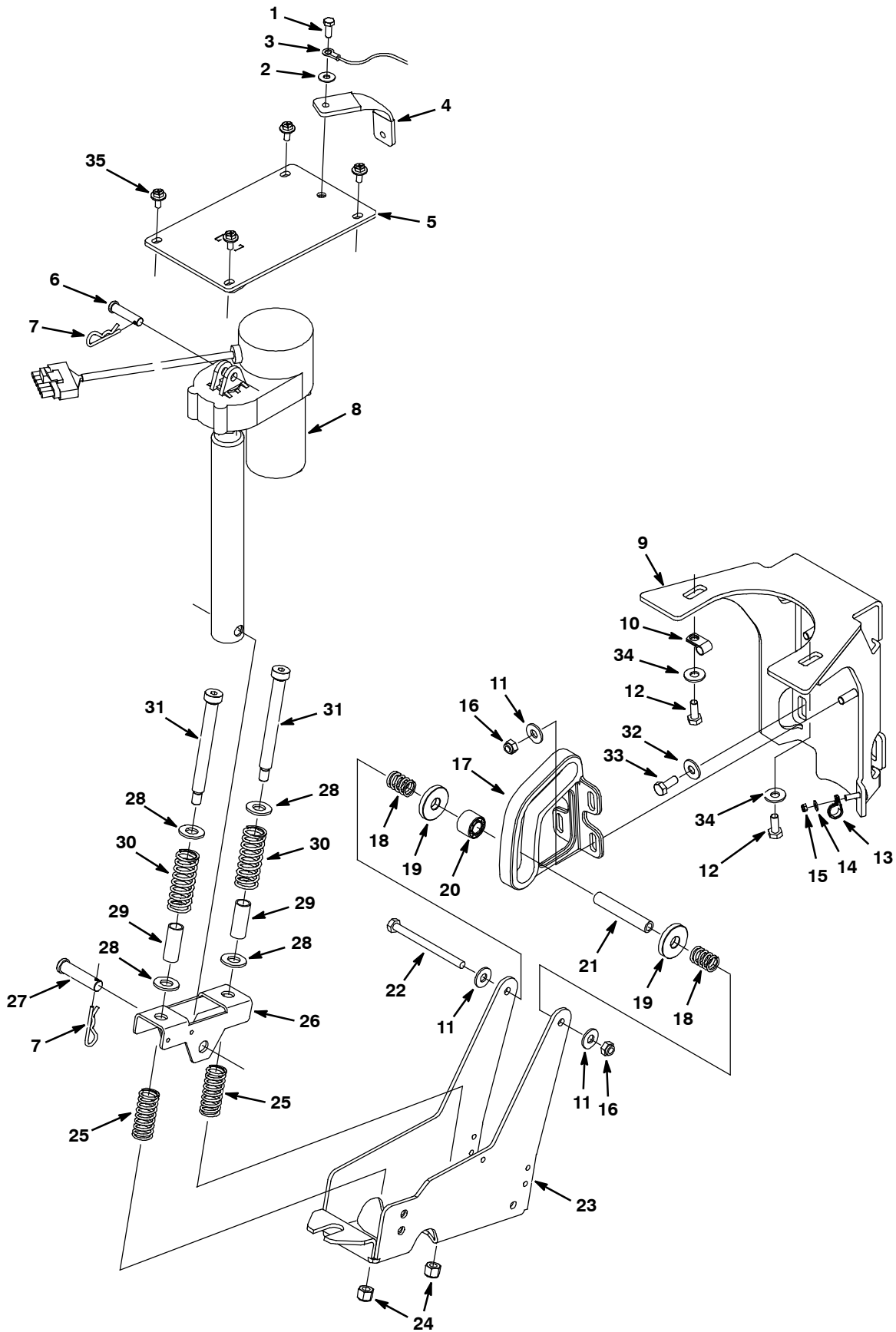
## SCRUB HEAD GROUP, CYLINDRICAL 32 in / 800 mm - CONT'D

Ref.	Part No.	Serial Number	Description	Qty.
▽	1	9002677	(00000000- ) Kit, Cover, Cyl- Head	1
▲	2	1024940	(00000000- ) Insulation, Sound, Front, Cyl Head	1
	3	1034731	(00000000- ) Screw, Hex, M6 X 1.00 X 16, Sems, Ss	7
	4	N/A	(00000000- 10353860 ) (Replaced By Item #32)	4
	5	608322	(00000000- ) Screw, Trs, M6 X 1.0 X 16, Phl, Ss	2
	6	364441	(00000000- ) Screw, Hex, M8 X 1.25 X 110, Ss	1
	7	43952	(00000000- ) Washer, Lock, Int, 0.31 Ss	1
	8	01685	(00000000- ) Washer, Flat, 0.31 Ss	1
	9	140314	(00000000- ) Clamp, Cable, Stl, 0.75d X 0.75w, 1h, Yl	1
	10	12273	(00000000- ) Screw, Hex, M8 X 1.25 X 20, Ss, NI	1
	11	1036032	(10330480- ) Bracket, Lift, Head, Rh	1
	12	1036025	(10330480- ) Bracket, Lift, Head, Lh	1
	13	01685	(10330480- ) Washer, Flat, 0.38b 0.88d .08, Ss	1
	14	08713	(10330480- ) Nut, Hex, Lock, M8 X 1.25, NI, Ss	1
	15	N/A	(00000000- 10330479 ) (Replaced By Items #11, 12, 13, & 14)	1
	16	1025127	(00000000- ) Hopper, 80cm [Rm]	1
	17	02942	(00000000- ) Pin, Hair Cotter, 0.62 D .120 Wir	2
	18	222210	(00000000- ) Pin, Clevis, 0.62 D X 2.12l	2
	19	1025039	(00000000- ) Housing, Head, 80cm Cyl, Mach	1
	20	1025580	(00000000- ) Cap, Plstc, Pf12	2
	21	33584	(00000000- ) Clamp, Cable, Stl, 0.63d X 0.50w, 1h	2
	22	1034731	(00000000- ) Screw, Hex, M6 X 1.00 X 16, Sems, Ss	2
	23	1020341	(00000000- ) Screw, Hex, M8 X 1.25 X 20, Sems, Ss	3
	24	1025276	(00000000- ) Tube Assy, Bar, Spray [85cm]	1
	25	64743	(00000000- ) Fitting, Plstc, Str, Bm08/Pm06	1
	26	222692	(00000000- ) Screw, Flt, M8 X1.25 X 25, Ss, 18- 8, NI	4
	27	1036245	(10353861- ) Retainer, Blade, Sqge, Side, Blk, Nyl	2
	28	1026292	(00000000- ) Skirt, Side, Scb, Cyl	2
	29	N/A	(00000000- 10353860 ) (Replaced By Item #27)	4
▽		1057922	(00000000- ) Door Assy, Cyl Head	2
▲	30	390996	(00000000- ) Screw, Flt, M10 X 1.5 X 20, 10.9, NI	1
▲	31	1044145	(00000000- ) Door, Brush	1
▲	32	01516	(00000000- ) Ring, Retaining, Ext, 0.59d, Basic	1
▲	33	222184	(00000000- ) Pin, Roll, .094 D X 0.25l, .094/.097	1
▲	34	222177	(00000000- ) Shaft, Idler Plug	1
▲	35	1057629	(00000000- ) Plug, Idler, Brush [Sgl Brg]	1
	36	08713	(10383861- ) Nut, Hex, Lock, M8 X 1.25, NI, Ss	4
	37	578769	(00000000- ) Label, Moving Parts	2
	38	222178	(00000000- ) Roller, Pyu, 1.88d 0.53b 3.05l	2
	39	578421	(00000000- ) Pin, Cotter, .125d X 1.00l	2
	40	222196	(00000000- ) Pin, Clevis, 0.50 D X 4.25l	2
	41	1031370	(00000000- ) Wire, 12 Awg X 250mm	1
	42	07785	(00000000- ) Nut, Hex, Std, M6 X 1.0, A2, Ss	5
	43	1025150	(00000000- ) Lip, Tray, Debris, Scrubhead, 80cm	1
	44	1025273	(00000000- ) Skirt, Tray, Debris, 80cm	1
	45	01684	(00000000- ) Washer, Flat, 0.25 Ss	4

▽ ASSEMBLY

▲ INCLUDED IN ASSEMBLY

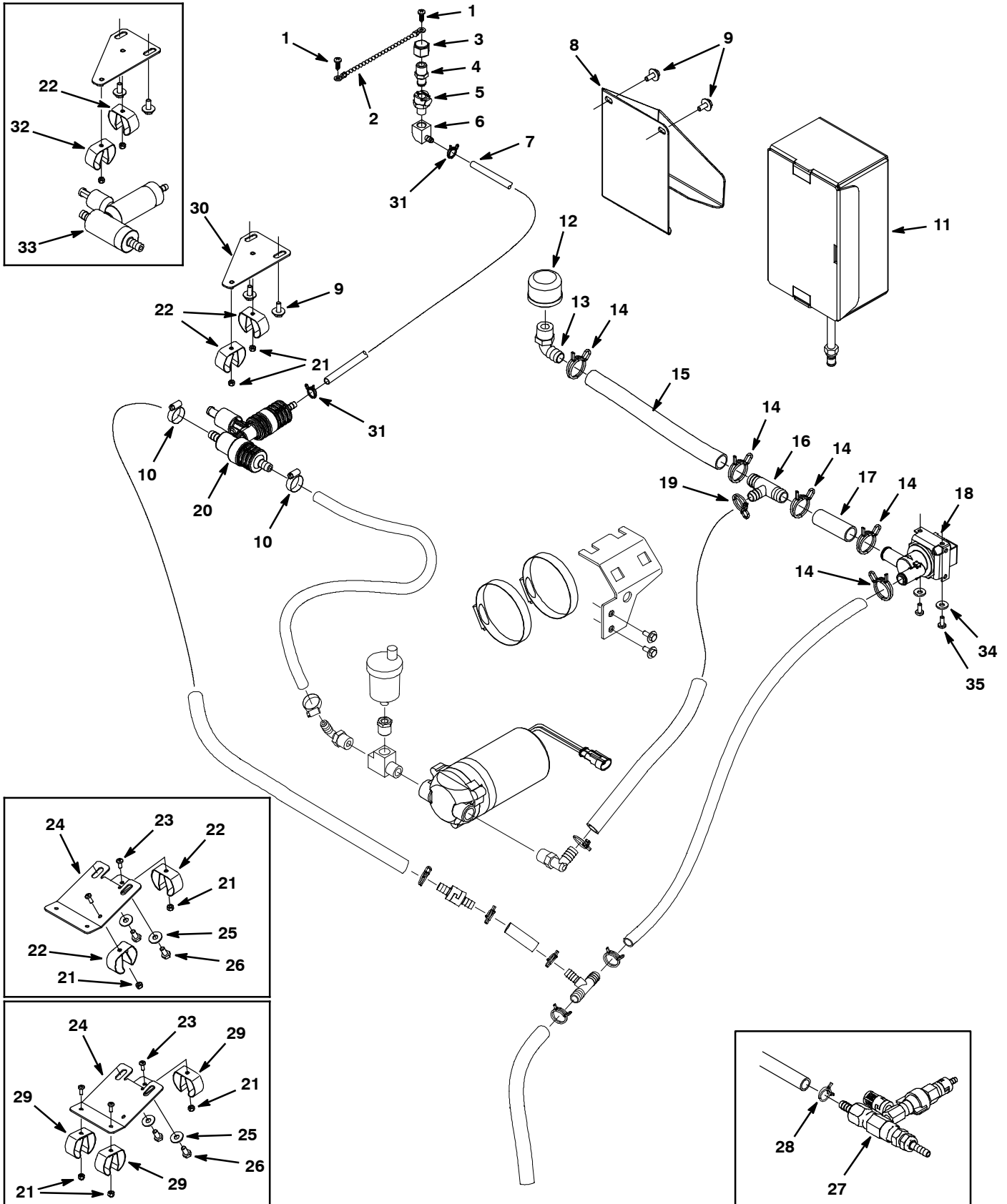
SCRUBHEAD LIFT GROUP



## SCRUBHEAD LIFT GROUP

Ref.	Part No.	Serial Number	Description	Qty.
1	11329	(00000000-	) Screw, Hex, M6 X 1.0 X 16, Ss, NI	1
2	01684	(00000000-	) Washer, Flat, 0.25 Ss	1
3	1029310	(00000000-	) Harness, Ground, 12 Awg	1
4	1029051	(00000000-	) Strap, Static, Controller	1
5	1022913	(00000000-	) Bracket Wldt, Actuator, Upper	1
6	29558	(00000000-	) Pin, Clevis, 0.37 D X 1.50l	1
7	140626	(00000000-	) Pin, Hair Cotter, 0.25 D .125 Wir	2
8	1023035	(00000000-	) Actuator, 24vdc, 6.0 Strk, 600lb	1
9	1049367	(00000000-	) Bracket, Sppt, Guide, Rlr	1
10	40678	(00000000-	) Clamp, Cable, Stl, 0.44d X 0.62w, 1h	1
11	01685	(00000000-	) Washer, Flat, 0.31 Ss	6
12	12273	(00000000-	) Screw, Hex, M8 X 1.25 X 20, Ss, NI	2
13	33584	(00000000-	) Clamp, Cable, Stl, 0.63d X 0.50w, 1hole	1
14	01683	(00000000-	) Washer, Flat, #10 Ss	1
15	09739	(00000000-	) Nut, Hex, Lock, M5 X 0.8, NI, Ss	1
16	08713	(00000000-	) Nut, Hex, Lock, M8 X 1.25, NI, Ss	5
17	1023592	(00000000-	) Bracket, Guide, Rlr, Head Lift, Brz [T5]	1
18	607920	(00000000-	) Spring, Cmpr, 18.3d, 2.4w, 25.4l Mw	2
19	607568	(00000000-	) Washer, P/M, 1.500d, 0.500b 0.25l Bnz	2
20	1023658	(00000000-	) Roller, Linkage, Head Lift	1
21	1023653	(00000000-	) Shaft, Rlr, Head- Lift	1
22	386299	(00000000-	) Screw, Hex, M8 X 1.25 X 100, Ss	1
23	1024911	(00000000-	) Bracket, Roller, Scrubhead, Sheet Metal	1
24	59156	(00000000-	) Nut, Hex, Lock, .38- 16, NI, Ss	2
25	63185	(00000000-	) Spring, Cmpr, 0.85od .09wir 2.0l	2
26	1023575	(00000000-	) Bracket, Spring, Down Press	1
27	51534	(00000000-	) Pin, Clevis, 0.50 D X 2.00l	1
28	32486	(00000000-	) Washer, Flat, 0.50 Sae	4
29	1024969	(00000000-	) Sleeve, P/M, 0.629d 09.5	2
30	45261	(00000000-	) Spring, Cmpr, 0.97od .11wir 2.5l	2
31	45960	(00000000-	) Bolt, Shld, .50d X 4.25, .38- 16	2
32	1016331	(00000000-	) Washer, Flat, 0.34b 1.25d .11, Ss	2
33	12333	(00000000-	) Screw, Hex, M8 X 1.25 X 25, Ss, NI	2
34	69461	(00000000-	) Washer, Flat, 0.38b 0.88d .12, Stl, Pl	2
35	1034731	(00000000-	) Screw, Hex, M6 X 1.00 X 16, Sems, Ss	4

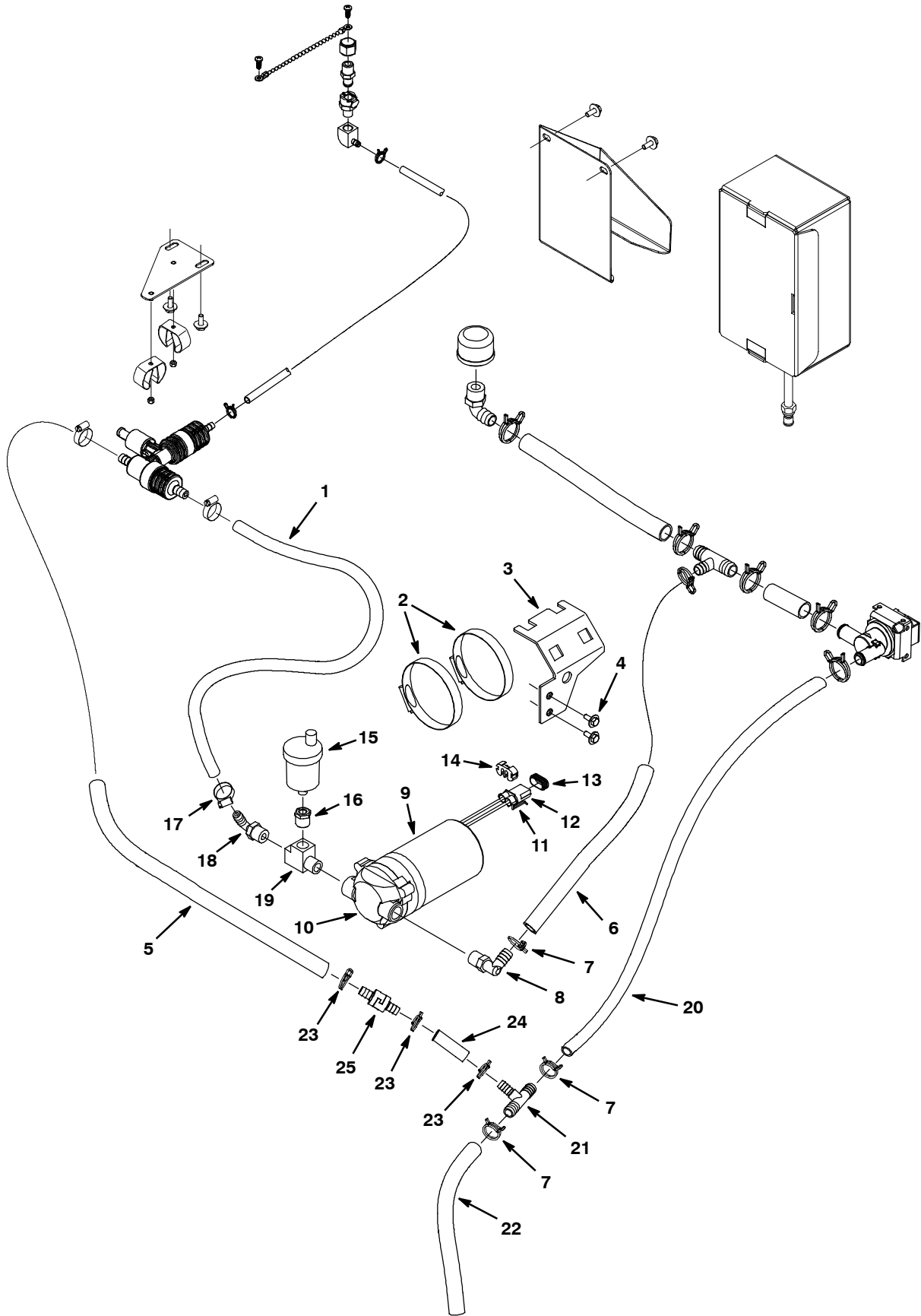
SOLUTION GROUP, FaST MODEL



## SOLUTION GROUP, FaST MODEL

Ref.	Part No.	Serial Number	Description	Qty.
1	1018155	(00000000-	) Screw, Pan, M5 X 0.8 X16, Ss, Tcut	2
2	621443	(00000000-	) Chain, Ball, #10 X 157l, Ss	1
3	1005435	(00000000-	) Fitting, Plstc, Cap, Pf04, Pipe	1
4	1002899	(00000000-	) Fitting, Plstc, Str, Pm04, Cplg, Mal	1
5	1029262	(00000000-	) Fitting, Plstc, Str, Pf04, Cplg, Fem	1
6	1028773	(00000000-	) Fitting, Brs, E90, Pf04/Bm04	1
7	1006415	(00000000-	) Hose, Afmkt, Pvc, Clr 0.25id 3ft	1
8	1036339	(00000000-	) Bracket, Mtg, Detgt [T5]	1
9	1034731	(10369603-	) Screw, Hex, M6 X 1.00 X 16, Sems, Ss	4
10	54333	(00000000-	) Clamp, Hose, Wormdrive, 0.31- 0.88d, .31w	3
11	1017015	(00000000-	) Detergent Pkg, 2 Liter, Sgl [365] (Standard)	1
11	1017022	(00000000-	) Detergent Pkg, 2 Liter, Sgl [665] (Optional)	1
11	9002021	(00000000-	) Fast 965 2 Ltr, Detergent (Optional)	1
12	1015522	(00000000-	) Filter, Screen, 080 Mesh, Pf08, Ss	1
13	630371	(00000000-	) Fitting, Plstc, E90, Bm10/Pm08	1
14	1041978	(00000000-	) Clamp, Hose, Wir, .85 - .90, Silver	5
15	1035355	(00000000-	) Hose, Afmkt, Pvc, Clr, 0.62id, 02ft	1
16	1015486	(00000000-	) Fitting, Plstc, Tee, Bm10/Bm08/Bm10	1
17	605099	(00000000-	) Hose, Pvc, Clr, 0.62id 0.88od 3.0l	1
18	1059224	(00000000-	) Valve, Water, Solenoid, 24vdc, Bm10/Bm10	1
19	607776	(00000000-	) Clamp, Hose, Wire, .73 - .77, Silver	1
20	9008847	(10538043-	) Fast Kit, Injector[T5 60/65cm, Fast Iii]	1
21	33932	(10347532-	) Nut, Hex, Lock, M4 X 0.7, NI, Ss	2
21	33932	(00000000- 10347531	) Nut, Hex, Lock, M4 X 0.7, NI, Ss	3
22	573073	(10538043-	) Clip, Grip, Hose, 1.00- 1.38, Zn (600 mm Disk & 650 mm Cyl Models)	2
22	573073	(10347532-	) Clip, Grip, Hose, 1.00- 1.38, Zn (700 mm/800 mm Disk & 800 mm Cyl Models)	1
23	49697	(10347532- 10369602	) Screw, Pan, M4 X 0.7 X 10, Ss	2
23	49697	(00000000- 10347531	) Screw, Pan, M4 X 0.7 X 10, Ss	3
24	N/A	(00000000- 10369602	) (Replaced By Item #30)	1
25	01684	(00000000- 10369602	) Washer, Flat, 0.25 Ss	2
26	11635	(00000000- 10369602	) Screw, Hex, M6 X 1.0 X 12, Ss, NI	2
27	9003810	(00000000- 10348537	) Fast Kit, Conv, Ci[T5 60/65Cm, FaST II+] (600mm Disk & 650mm Cyl Models) (See Breakdowns)	1
27	9003812	(00000000- 10347531	) Fast Kit, Conv, Ci[T5 70/80Cm, Fast II+] (700mm/800mm Disk & 800mm Cyl Models) (See Breakdowns)	1
28	607775	(00000000- 10348537	) Clamp, Hose, Wir, .63 - .66, Blk	1
29	1014295	(00000000- 10347531	) Clip, Spring, Holder, Blk Vyl Coated	3
30	1040982	(10369603-	) Plate, Mtg, Injector [T5/Ss5 Fast Ii+]	1
31	613735	(00000000-	) Clamp, Hose, Wir, .40 - .42, Yel	2
32	1014295	(00000000-	) Clip, Grip, Hose, 0.75- 1.12, Stl,Blk Vyl (700 mm/800 mm Disk & 800 mm Cyl Models)	1
33	9003907	(10348538- 10538042	) Fast Kit, Injector[T5 60/65Cm, Fast II+] (See Breakdowns) (Replaced by 9008847)	1
33	9003908	(10347532-	) Fast Kit, Injector[T5 70/80Cm, Fast II+] (See Breakdowns)	1
34	01683	(00000000-	) Washer, Flat, 10, Ss	2
35	09200	(00000000-	) Screw, Pan, Phl, M5 X 0.80 X 12, Ss	2

SOLUTION GROUP, FaST MODEL - CONT'D



## SOLUTION GROUP, FaST MODEL - CONT'D

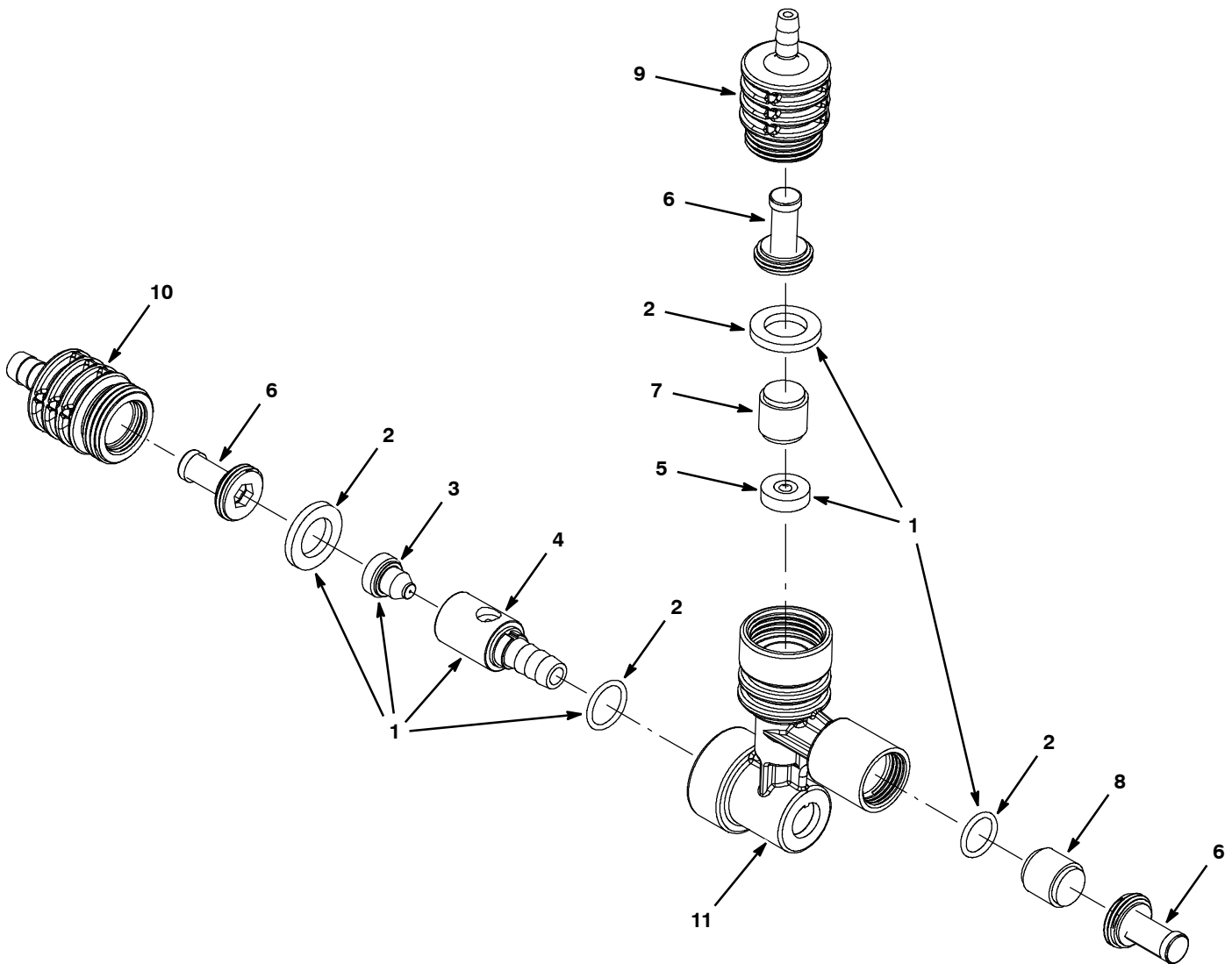
Ref.	Part No.	Serial Number	Description	Qty.	
1	9002542	(00000000-	) Hose, .38id X 0.6od Pvc 376720 Ft 3.5	1	
2	43555	(00000000-	) Clamp, Hose, Wormdrive, 2.50- 3.50d, .50w	2	
3	1023463	(00000000-	) Bracket, Mtg, Pump	1	
4	1034731	(00000000-	) Screw, Hex, M6 X 1.00 X 16, Sems, Ss	2	
5	9004748	(00000000-	) Hose, Pyu, Clr, 0.38id 0.62od 42l	1	
6	613521	(00000000-	) Tubing 1/2idx3/4od Vnyl 611259 Ft 1.000	1	
7	607776	(00000000-	) Clamp, Hose, Wire, .73 - .77, Silver	3	
8	1017532	(00000000-	) Fitting, Plstc, E90, Bm08/Pm06	1	
▽	9	1014282	(00000000-	) Pump, Soltn, Ele, 24vdc, 60psi, Packard	1
▲	10	9001240	(00000000-	) Pump Kit, Head, Soltn	1
▲	11	78950	(00000000-	) Connector, Fem, 02cav, Mp280 Sealed	1
▲	12	78951	(00000000-	) Terminal, Fem, Mp280, Sealed, 18- 16ga	1
▲	13	10917	(00000000-	) Seal, Wire, 14/16ga [Wp / Mp280 Sealed]	1
▲	14	78952	(00000000-	) Lock, Secondary, 2cav, Mp280 Sealed	1
	15	1017386	(00000000-	) Valve, Air Vent, Float Type	1
	16	24698	(00000000-	) Fitting, Brs, Str, Pf02/Pm06	1
	17	54333	(00000000-	) Clamp, Hose, Wormdrive, 0.31- 0.88d, .31w	1
	18	1005630	(00000000-	) Fitting, Plstc, E90, Bm06/Pm06, Nyl	1
	19	601483	(00000000-	) Fitting, Brs, Tee, Pm06/Pf06, Strt, T	1
	20	613531	(00000000-	) Tubing 1/2idx3/4od Vinyl 611259 Ft 3.750	1
	21	630372	(00000000-	) Fitting, Plstc, Tee, Bm08/Bm06/Bm08	1
	22	613521	(00000000-	) Tubing 1/2idx3/4od Vnyl 611259 Ft 1.000	1
	23	607775	(00000000-	) Clamp, Hose, Wir, .63 - .66, Blk	3
	24	606362	(00000000-	) Hose 3/8idx5/8odx6.5 (611254)	1
	25	1015455	(00000000-	) Valve, Check, 0005 Psi, Bm06/Bm06 (600mm Disk & 650mm Cyl Models)	1
	25	1015455	(10582617-	) Valve, Check, 0005 Psi, Bm06/Bm06 (700mm/800mm Disk & 800mm Cyl Models)	1
	25	1040501	(10347532- 10582616 )	) Valve, Check, 0015 Psi, Bm06/Bm06 (700mm/800mm Disk & 800mm Cyl Models)	1
	25	1015455	(00000000- 10347531 )	) Valve, Check, 0005 Psi, Bm06/Bm06 (700mm/800mm Disk & 800mm Cyl Models)	1

▽ ASSEMBLY

▲ INCLUDED IN ASSEMBLY

# STANDARD PARTS

## 9008847 FAST INJECTOR ASSEMBLY BREAKDOWN (S/N 10538043- ), 600 mm DISK & 650 mm CYLINDRICAL MODELS



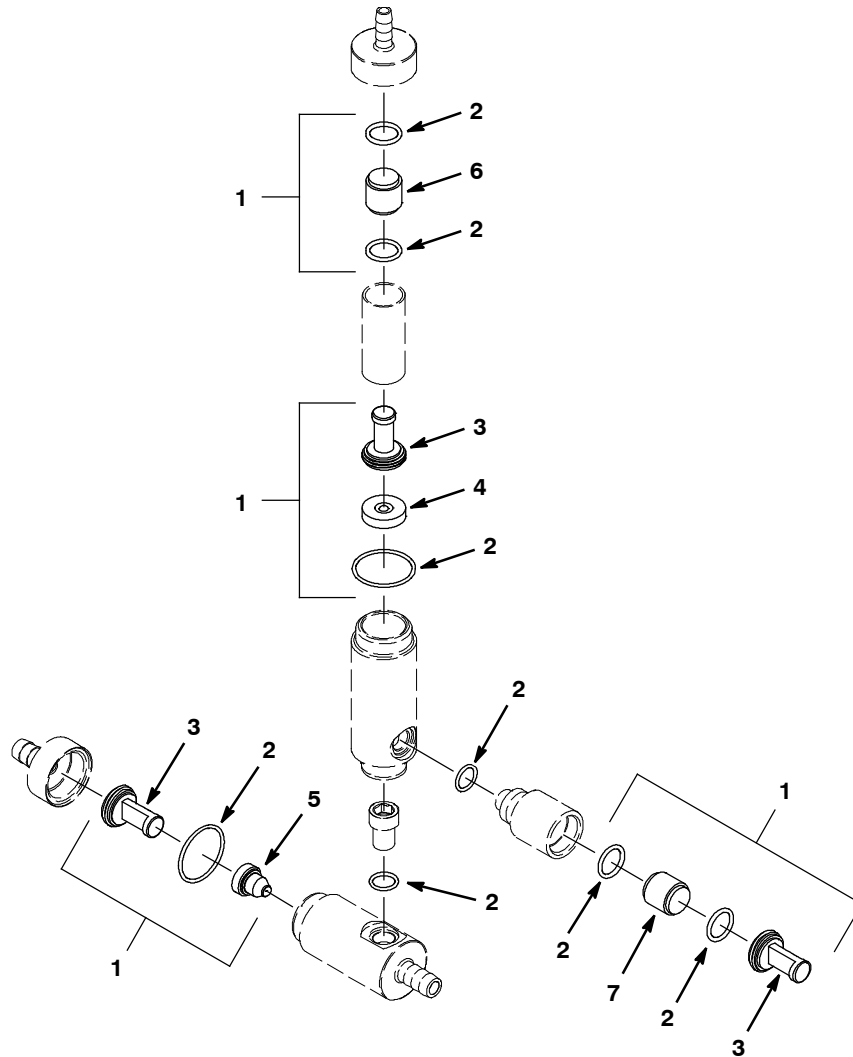
Ref.	Part No.	Serial Number	Description	Qty.	
▽	9008847	(10538043-	) Fast Kit, Injector[T5 60/65cm, Fast lii]	1	
▲▽	1	9003811	(10538043-	) Fast Kit, Ci[Inj Reblid, T5 60/65cm, li+]	1
▲▲	2	9008848	(10538043-	) Fast Kit, Seal, Injector, Ci [Fast lii]	1
▲▲	3	1039989	(10348538-	) Plug, Orifice, 0.030, Ss [Fast li+]	1
▲▲	4	1059250	(10538043-	) Insert, Venturi, Medium, [Fast lii]	1
▲▲	5	1059869	(10538043-	) Plate Assy, Orifice, 0.007id, Red	1
▲	6	9003009	(10348538-	) Fast Kit, Ci, Injector Filters[Fast li+]	1
▲	7	1030444	(10348538-	) Valve, Check, 0002psi [Fast li+]	1
▲	8	1030441	(10348538-	) Valve, Check, 0005psi [Fast li+]	1
▲	9	1058126	(10538043-	) Housing, Fltr, Upper [Fast lii]	1
▲	10	1057811	(10538043-	) Housing, Fltr, Lower [Fast lii]	1
▲	11	1053564	(10538043-	) Housing, Body, Injector [Fast lii]	1

▽ ASSEMBLY

▲ INCLUDED IN ASSEMBLY



**9003907 FAST INJECTOR ASSEMBLY BREAKDOWN (S/N 10348538- 10538042)  
600 mm DISK & 650 mm CYLINDRICAL MODELS**



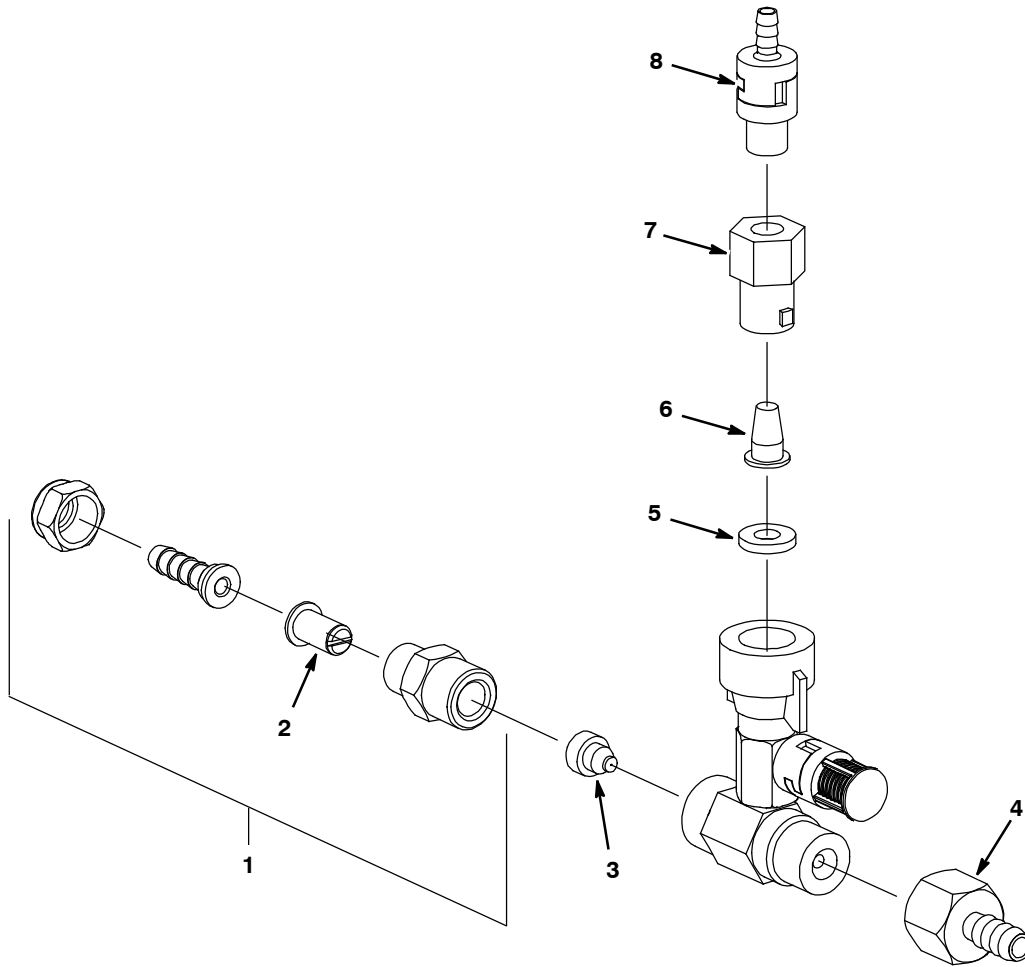
Ref.	Part No.	Serial Number	Description	Qty.
▽	9003907	(10348538- 10538042 )	Fast Kit, Injector[T5 60/65cm, Fast li+]	1
▲	1	9003811 (10348538- 10538042 )	Fast Kit, Ci[lnj Reblid, T5 60/65cm, li+]	1
▲	2	9003008 (10348538- 10538042 )	Fast Kit, Ci, Injector Seals [Fast li+]	1
▲	3	9003009 (10348538- )	Fast Kit, Ci, Injector Filters[Fast li+]	1
▲	4	1032284 (10348538- 10538042 )	Plate Assy, Orifice, 0.007id, Red	1
▲	5	1039989 (10348538- )	Plug, Orifice, 0.030, Ss [Fast li+]	1
▲	6	1030444 (10348538- )	Valve, Check, 0002psi [Fast li+]	1
▲	7	1030441 (10348538- )	Valve, Check, 0005psi [Fast li+]	1

▽ ASSEMBLY

▲ INCLUDED IN ASSEMBLY

# STANDARD PARTS

## 9003810 FAST INJECTOR ASSEMBLY BREAKDOWN (S/N 00000000- 10348537) 600 mm DISK & 650 mm CYLINDRICAL MODELS

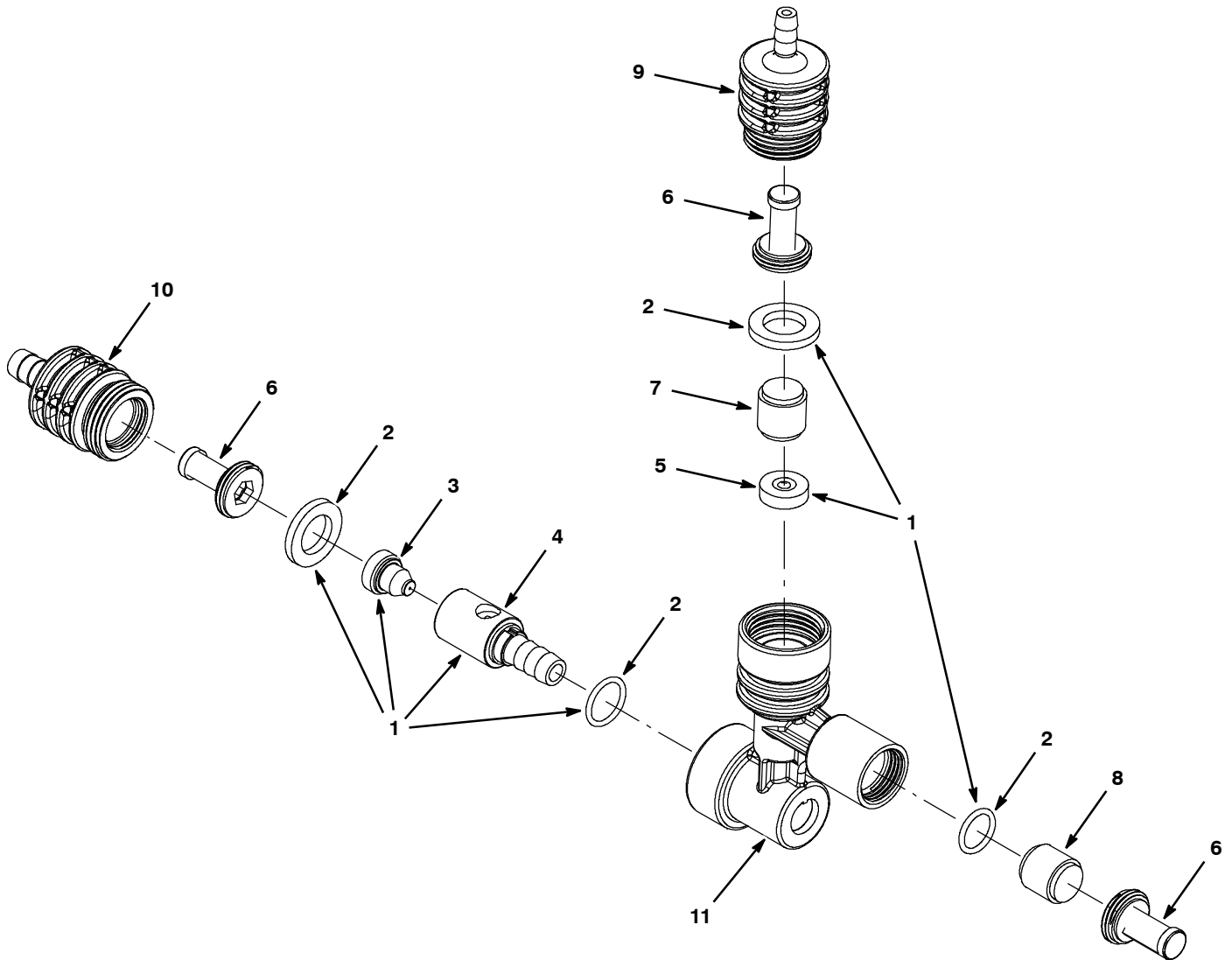


Ref.	Part No.	Serial Number	Description	Qty.
▽	9003810	(00000000- 10348537 )	Fast Kit, Conv, Ci[T5 60/65cm, Fast li+]	1
▲	1	1013411 (00000000- 10348537 )	Filter Assy, 050mesh	1
▲	2	1006447 (00000000- 10348537 )	Vr, Filter, Screen, 050 Mesh .59d .8l Ss	1
	3	1039988 (00000000- 10348537 )	Plug, Orifice, 0.027, Ss [Fast li+]	1
	4	1014276 (00000000- 10348537 )	Fitting, Brs, Str, Bm06/Pf08	1
	5	1032284 (00000000- 10348537 )	Plate Assy, Orifice, 0.007id, Red	1
	6	1029355 (00000000- 10348537 )	Vr, Filter, Screen, 200 Mesh .59d .8l Ss	1
	7	1005507 (00000000- 10348537 )	Fitting, Plstc, Body, Spray, Pf04	1
	8	1014254 (00000000- 10348537 )	Valve, Check, 0002psi Bm04/Pm04	1

▽ ASSEMBLY

▲ INCLUDED IN ASSEMBLY

9008887 FAST INJECTOR ASSEMBLY BREAKDOWN (S/N 10582617- ),  
700 mm / 800 mm DISK & 800 mm CYLINDRICAL MODELS



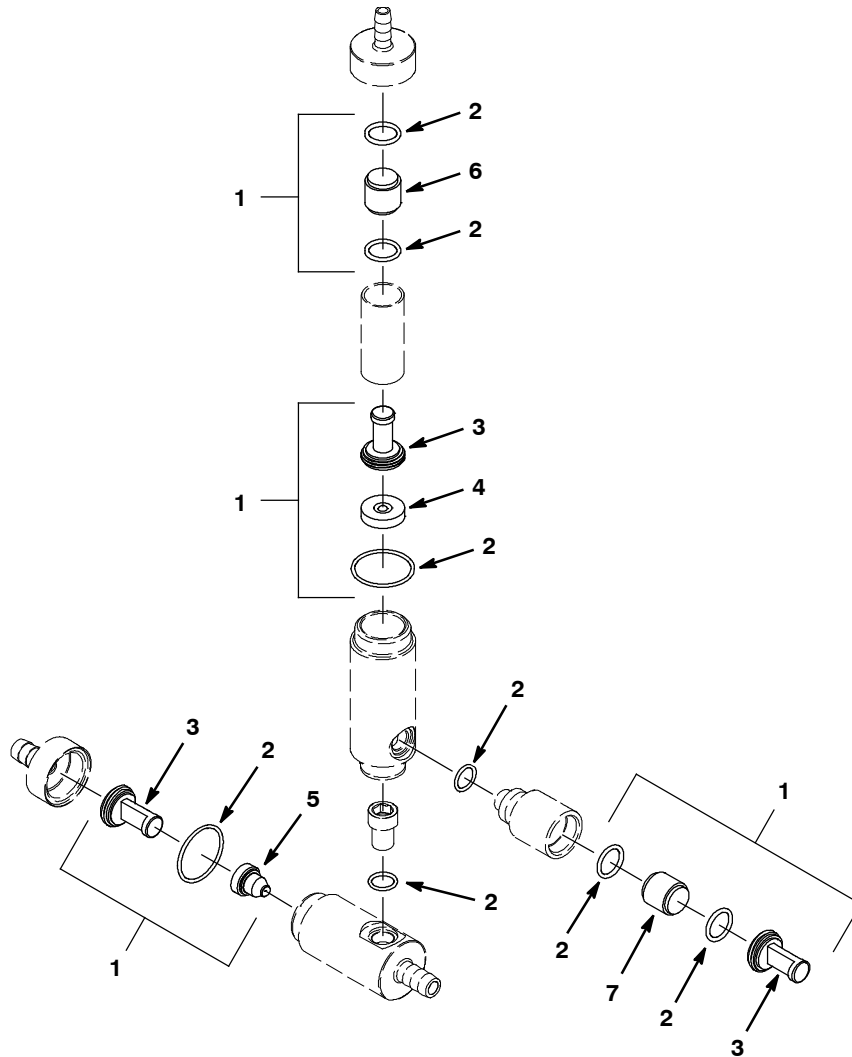
Ref.	Part No.	Serial Number	Description	Qty.	
▽	9008887	(10582617-	) Fast Kit, Injector[T5 70/80cm, Fast lii]	1	
▲▽	1	9008888	(10582617-	) Fast Kit, Ci[Inj Reblid, T5 70/80cm, lii]	1
▲▲	2	9008848	(10582617-	) Fast Kit, Seal, Injector, Ci [Fast lii]	1
▲▲	3	1039579	(10347532-	) Plug, Orifice, 0.033, Ss [Fast li+]	1
▲▲	4	1059250	(10582617-	) Insert, Venturi, Medium, [Fast lii]	1
▲▲	5	1059875	(10582617-	) Plate Assy, Orifice, 0.0075id, Blue	1
▲	6	9003009	(10347532-	) Fast Kit, Ci, Injector Filters[Fast li+]	1
▲	7	1030444	(10347532-	) Valve, Check, 0002psi [Fast li+]	1
▲	8	1030441	(10347532-	) Valve, Check, 0005psi [Fast li+]	1
▲	9	1058126	(10582617-	) Housing, Fltr, Upper [Fast lii]	1
▲	10	1057811	(10582617-	) Housing, Fltr, Lower [Fast lii]	1
▲	11	1053564	(10582617-	) Housing, Body, Injector [Fast lii]	1

▽ ASSEMBLY

▲ INCLUDED IN ASSEMBLY

# STANDARD PARTS

## 9003908 FAST INJECTOR ASSEMBLY BREAKDOWN (S/N 10347532- 10582616) 700 mm / 800 mm DISK & 800 mm CYLINDRICAL MODELS

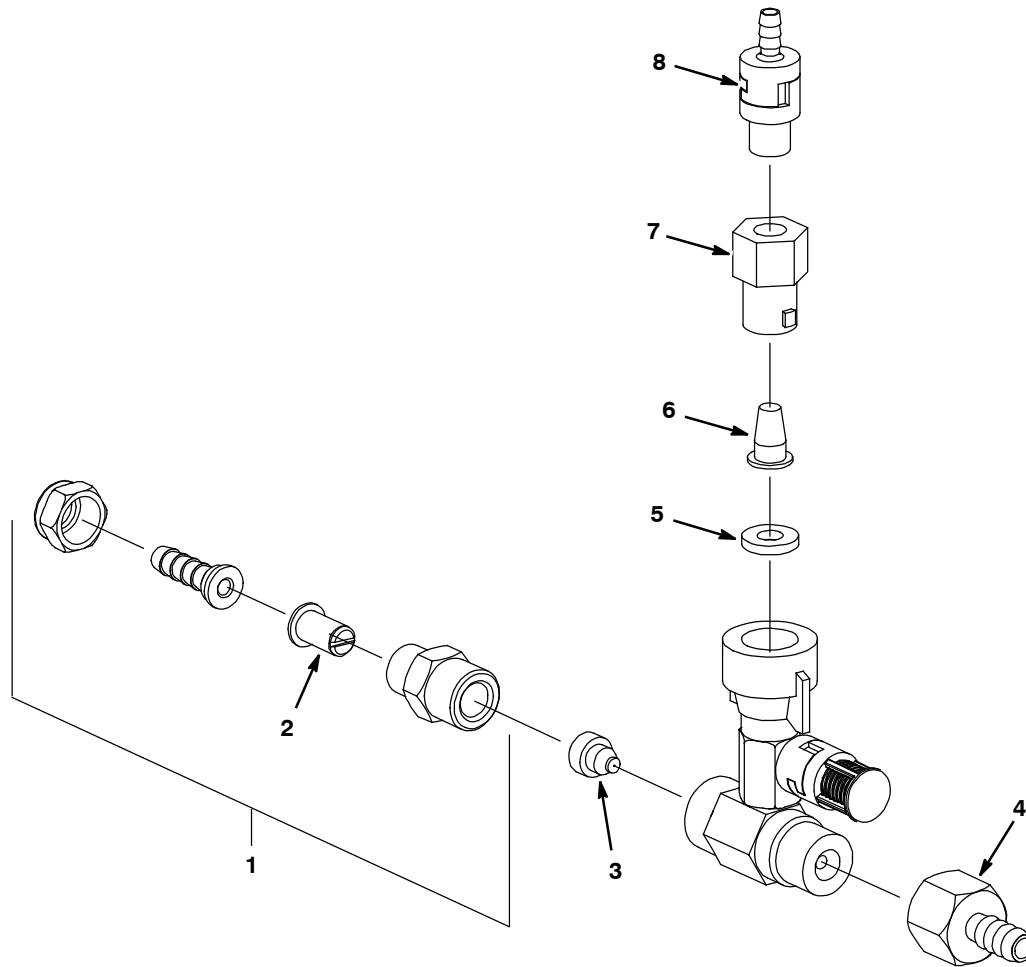


Ref.	Part No.	Serial Number	Description	Qty.
▽	9003908	(10347532- 10582616 )	Fast Kit, Injector[T5 70/80cm, Fast li+]	1
▲	1	9003813 (10347532- 10582616 )	Fast Kit, Ci[lnj Reblid, T5 70/80cm, li+]	1
▲	2	9003008 (10347532- 10582616 )	Fast Kit, Ci, Injector Seals [Fast li+]	1
▲	3	9003009 (10347532- )	3ast Kit, Ci, Injector Filters[Fast li+]	1
▲	4	1039978 (10347532- 10582616 )	Plate Assy, Orifice, 0.0075id, Blu	1
▲	5	1039579 (10347532- )	Plug, Orifice, 0.033, Ss [Fast li+]	1
▲	6	1030444 (10347532- )	Valve, Check, 0002psi [Fast li+]	1
▲	7	1030441 (10347532- )	Valve, Check, 0005psi [Fast li+]	1

▽ ASSEMBLY

▲ INCLUDED IN ASSEMBLY

9003812 FAST INJECTOR ASSEMBLY BREAKDOWN (S/N 0000000- 10347531)  
700 mm / 800 mm DISK & 800 mm CYLINDRICAL MODELS



Ref.	Part No.	Serial Number	Description	Qty.
▽	9003812	(00000000- 10347531 )	Fast Kit, Conv, Ci[T5 70/80cm, Fast li+]	1
▲	1	1013411 (00000000- 10347531 )	Filter Assy, 050mesh	1
▲	2	1006447 (00000000- 10347531 )	Vr, Filter, Screen, 050 Mesh .59d .8l Ss	1
	3	1039579 (00000000- 10347531 )	Plug, Orifice, 0.033, Ss [Fast li+]	1
	4	1014276 (00000000- 10347531 )	Fitting, Brs, Str, Bm06/Pf08	1
	5	1039978 (00000000- 10347531 )	Plate Assy, Orifice, 0.0075id, Blu	1
	6	1029355 (00000000- 10347531 )	Vr, Filter, Screen, 200 Mesh .59d .8l Ss	1
	7	1005507 (00000000- 10347531 )	Fitting, Plstc, Body, Spray, Pf04	1
	8	1014254 (00000000- 10347531 )	Valve, Check, 0002psi Bm04/Pm04	1

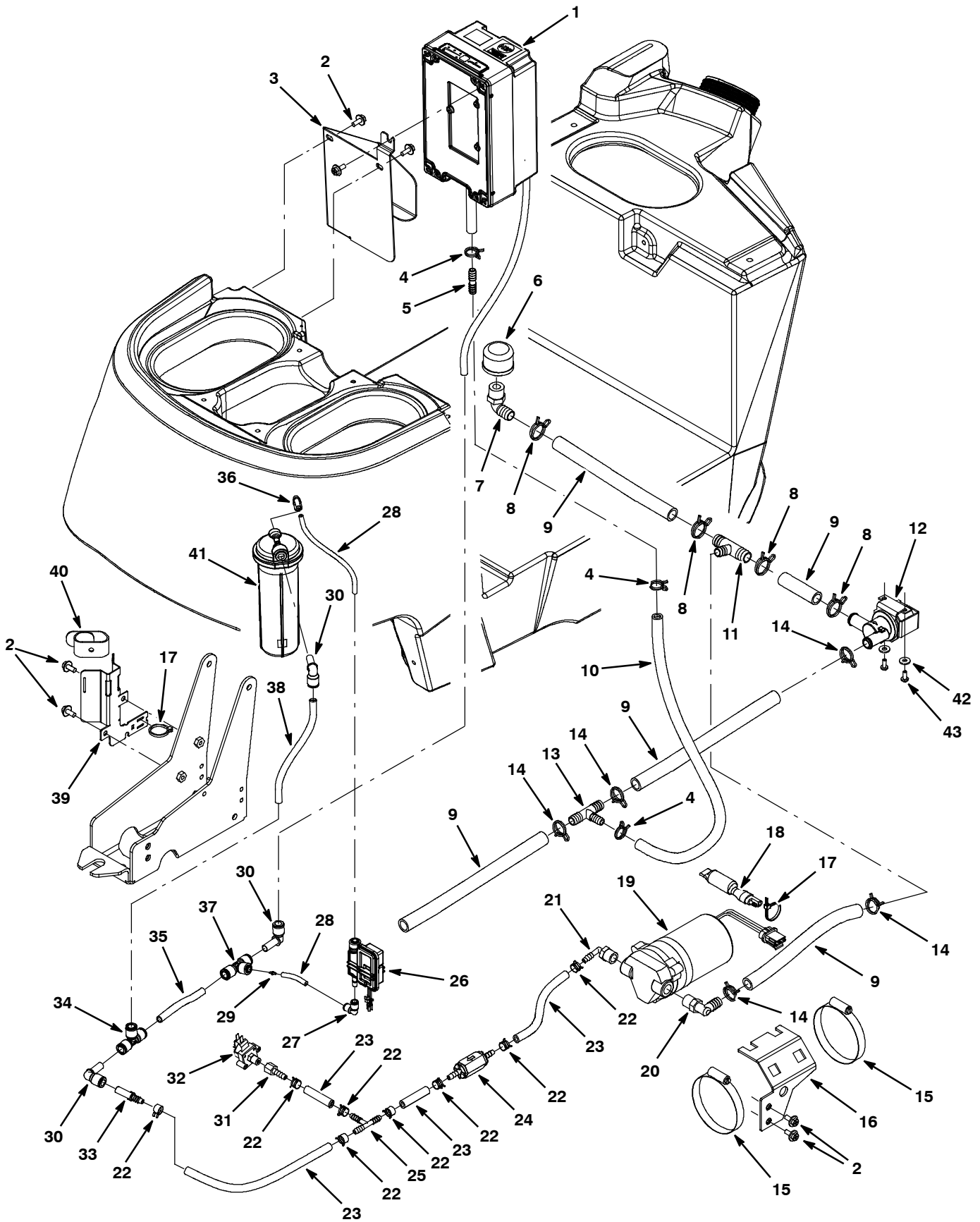
▽ ASSEMBLY

▲ INCLUDED IN ASSEMBLY

# STANDARD PARTS

SOLUTION GROUP, *ec-H2O* NANOCLEAN MODEL (S/N MFG AFTER MARCH 2015-

)



**SOLUTION GROUP, *ec-H2O* NANOCLEAN MODEL (S/N MFG AFTER MARCH 2015- )**

Ref.	Part No.	Serial Number	Description	Qty.
1	9011810	(APR2015-	) Module Kit, Replmt [Ec- H2o, B 02] (See Breakdown)	1
2	1034731	(APR2015-	) Screw, Hex, M6 X 1.00 X 16, Sems, Ss	7
3	1040881	(APR2015-	) Bracket, Mtg, Martini [T5]	1
4	607775	(APR2015-	) Clamp, Hose, Wir, .63 - .66, Blk	3
5	20950	(APR2015-	) Fitting, Plstc, Str, Bm06/Bm06	1
6	1015522	(APR2015-	) Filter, Screen, 080mesh, Ss, Pf08	1
7	630371	(APR2015-	) Fitting, Plstc, E90, Bm10/Pm08	1
8	1041978	(APR2015-	) Clamp, Hose, Wir, .85 - .90, Silver	4
9	613521	(APR2015-	) Hose, Pvc, Clr, 0.50id 0.75od 012.0l	1
10	1006400	(APR2015-	) Hose, Afmkt, Pvc, Brd, 0.38id, 03ft, Clr	1
11	1015486	(APR2015-	) Fitting, Plstc, Tee, Bm08/Bm10/Bm10, Br	1
12	1013599	(APR2015-	) Valve, Water, Solenoid, 24vdc Bm10/Bm10	1
13	630372	(APR2015-	) Fitting, Plstc, Tee, Bm06/Bm08/Bm08, Br	1
14	607776	(APR2015-	) Clamp, Hose, Wir, .73 - .77, Silver	6
15	43555	(APR2015-	) Clamp, Hose, Wormdrive, 2.62- 3.50d	2
16	1023463	(APR2015-	) Bracket, Mtg, Pump [T5]	1
17	130773	(APR2015-	) Tie, Cable, Nyl, 11.0l, .14w, 3.0 Max. D	2
18	1040868	(APR2015-	) Capacitor, Plug [.01 Uf, 200v]	1
19	1042495	(APR2015-	) Pump, Soltn, Ele, 24vdc, 35psi	1
20	1017532	(APR2015-	) Fitting, Plstc, E90, Bm08/Pm06	1
21	150417	(APR2015-	) Fitting, Plstc, E90, Bm04/Pm06	1
22	603654	(APR2015-	) Clamp, Hose, Ear, .44d [Ctb]	8
23	9014210	(APR2015-	) Hose, Afmkt, Pvc, Brd .25id .44od, 05ft	1
24	1216878	(APR2015-	) Valve, Check, 0001psi Bm04/Bm04	1
25	150713	(APR2015-	) Fitting, Plstc, Tee, Bm04/Bm04/Bm04	1
26	1216973	(APR2015-	) Pump Assy, Dispenser	1
27	1217763	(APR2015-	) Fitting, Plstc, E90, Qf04/Qf04	1
28	9014211	(APR2015-	) Hose, Afmkt, Pvc, Grn .06id .25od, 02ft	1
29	1214972	(APR2015-	) Fitting, Orifice, Str, Bm01/Bm/01	1
30	1215186	(APR2015-	) Fitting, Plstc, E90, Qf06/Qm06	3
31	150520	(APR2015-	) Fitting, Brs, Str, Bm04/Pf02	1
32	1044414	(APR2015-	) Switch, Press, 15psi, Pm02	1
33	1212857	(APR2015-	) Fitting, Plstc, Str, Qm06/Bm04	1
34	1212573	(APR2015-	) Fitting, Plstc, Tee, Qf06/Qf06/Qf06	1
35	1014987	(APR2015-	) Hose, Afmkt, Pvc, Clr, 0.25id, 01ft	1
36	1214339	(APR2015-	) Fitting, Plstc, E90, Qfo4/Qm04	1
37	1212855	(APR2015-	) Fitting, Plstc, Tee, Qf04/Qf06/Qf06	1
38	9014212	(APR2015-	) Hose, Afmkt, Pvc, Grn 0.06id .38od, 02ft	1
39	1215755	(APR2015-	) Bracket, Mtg, Ec- H2o Wcm (T5)	1
40	1059534	(APR2015-	) Fastener, 09.00l [Hook & Loop]	1
41	9013646	(APR2015-	) Cartridge, Ec- H2o Nanoclean Wcm, 270ml	1
42	01683	(APR2015-	) Washer, Flat, 10, Ss	2
43	09200	(APR2015-	) Screw, Pan, Phl, M5 X 0.80 X 12, Ss	2

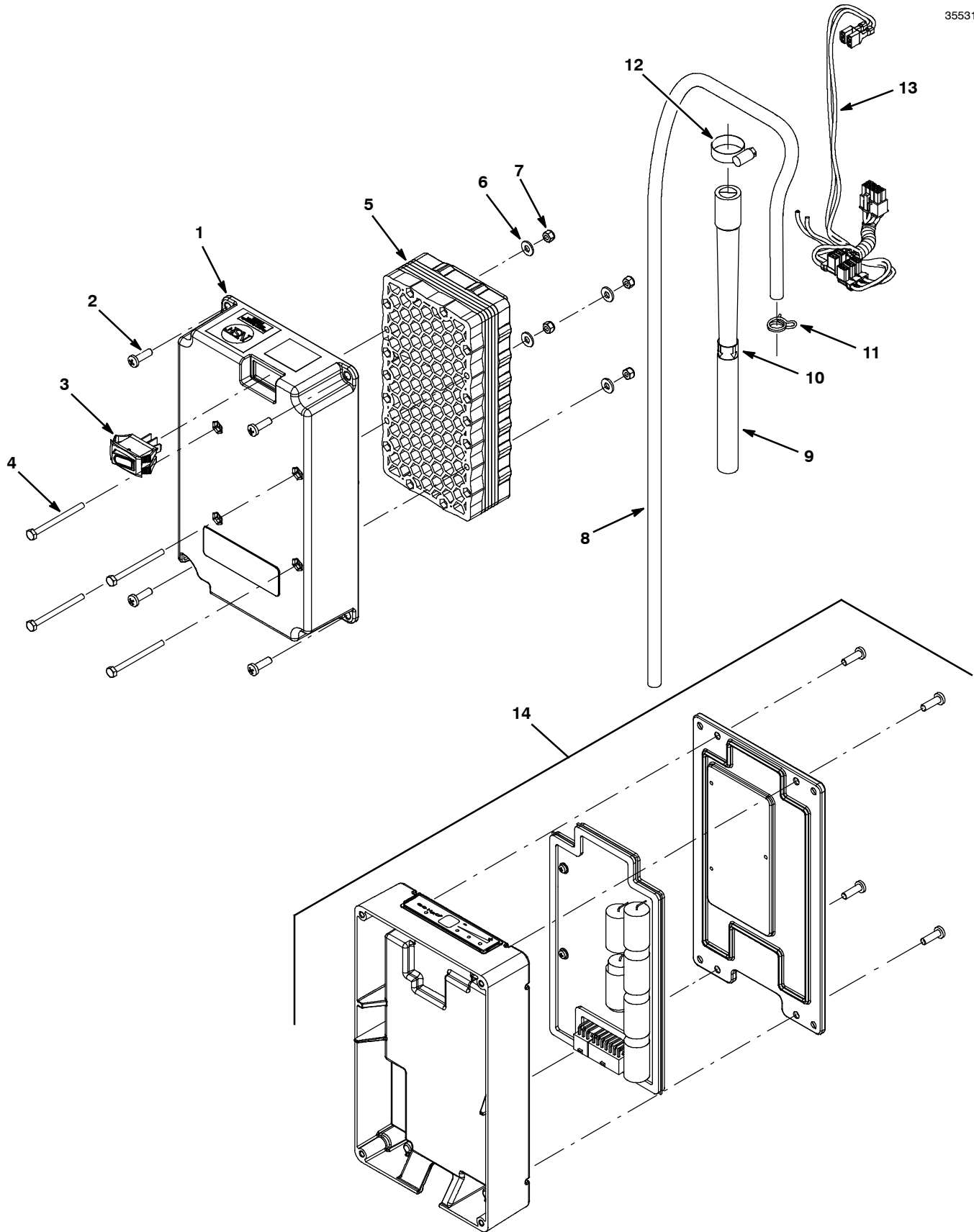
▽ ASSEMBLY

▲ INCLUDED IN ASSEMBLY

# STANDARD PARTS

## ec-H2O NANOCLEAN MODULE BREAKDOWN, 9011810 (S/N MFG AFTER MARCH 2015- )

355317





**ec-H2O NANOCLEAN MODULE BREAKDOWN, 9011810  
(S/N MFG AFTER MARCH 2015- )**

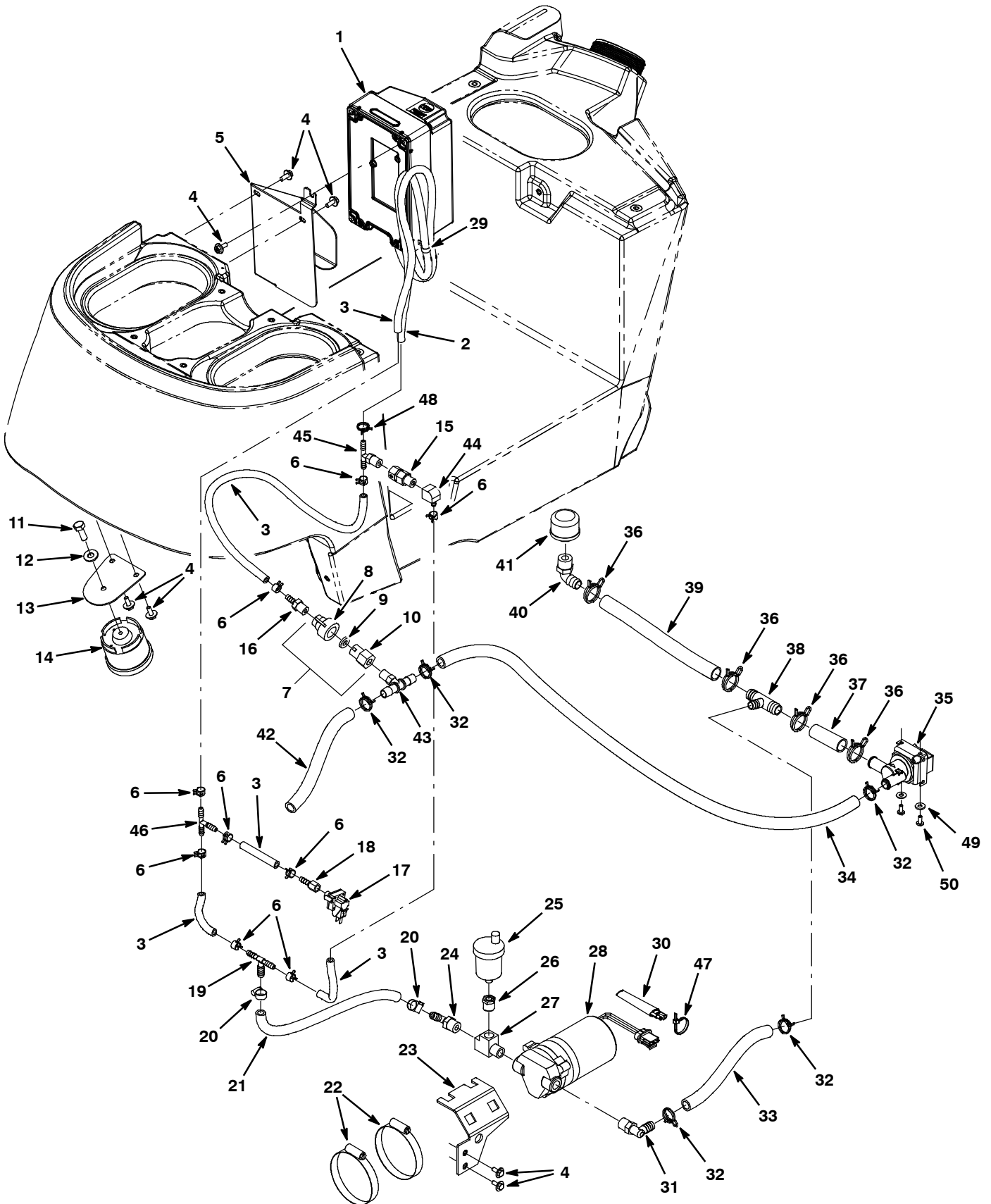
Ref.	Part No.	Serial Number	Description	Qty.
▽	9011810	(APR2015-	) Module Kit, Replmt [Ec- H2o, B 02]	1
▲▽	9014126	(APR2015-	) Ec- H2o Nc Kit [Module B, Plumbing]	1
▲▲	1 1208823	(APR2015-	) Housing, Module, Upper, Ec- H2o	1
▲▲	2 1015506	(APR2015-	) Screw, Pan, Phl, M5 X 16, Tcut [Plastic]	4
▲▲	3 1044393	(APR2015-	) Switch, Rocker, Spst, Mom	1
▲▲	4 32509	(APR2015-	) Screw, Hex, M4 X 0.70 X 50, Ss	4
▲▲	5 1208164	(APR2015-	) Electrode, 5 Plate, High Flow	1
▲▲	6 41579	(APR2015-	) Washer, Flat, 08, Ss	4
▲▲	7 33932	(APR2015-	) Nut, Hex, Lock, M4 X 0.70, NI, Ss	4
▲▲	8 1006415	(APR2015-	) Hose, Afrmkt, Pvc, Clr, 0.25id, 03ft	1
▲▲	9 1208526	(APR2015-	) Hose, Molded, Bm08/Bm06	1
▲▲	10 1049637	(APR2015-	) Label, Direction [Ec- H2o]	1
▲▲	11 613735	(APR2015-	) Clamp, Hose, Wir, .40 - .42, Yel	1
▲▲	12 54333	(APR2015-	) Clamp, Hose, Wormdrive, 0.31- 0.88d, .31w	1
▲▲	13 1073286	(APR2015-	) Harness, Ele, Module B2 [Ec- H2o]	1
▲	14 9014127	(APR2015-	) Controller Kit, Replmt [Ec- H2o Nc]	1

▽ ASSEMBLY

▲ INCLUDED IN ASSEMBLY

# STANDARD PARTS

SOLUTION GROUP, *ec-H2O* MODEL (S/N 1037880- MFG BEFORE APRIL 2015)

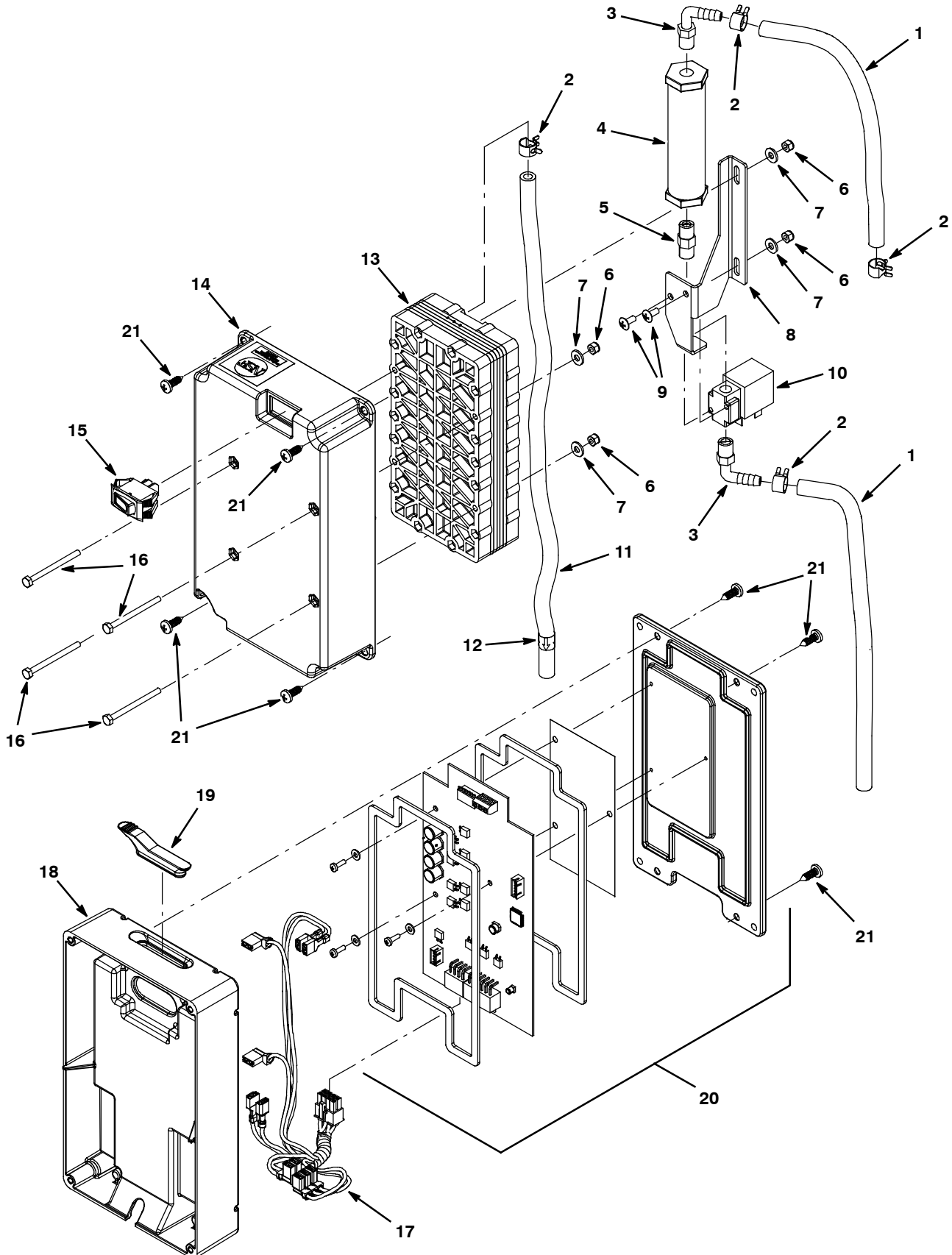


SOLUTION GROUP, *ec-H2O* MODEL (S/N 1037880- MFG BEFORE APRIL 2015)

Ref.	Part No.	Serial Number	Description	Qty.	
1	9007970	(10448305- MAR2015 )	Module Kit, Replmt [Ec- H2o] (See Breakdown)	1	
1	9006161	(10378380- 10448304 )	Module Kit, Replmt [Ec- H2o] (See Breakdown)	1	
2	9004606	(10378380- MAR2015 )	Hose, Pvc, Brd, .25id .45od 46l, Clr	1	
3	578820000	(10378380- MAR2015 )	Hose, Pvc, Brd, 0.25id 0.44od 157.2l,Clr	1	
4	1034731	(00000000- MAR2015 )	Screw, Hex, M6 X 1.00 X 16, Sems, Ss	7	
5	1040881	(10378380- MAR2015 )	Bracket, Mtg, Martini [T5]	1	
6	603654	(10378380- MAR2015 )	Clamp, Hose, Ear, .44d [Ctb]	9	
▽	7	1043866	(10378380- MAR2015 )	Fitting Assy, Qd, Pf04	1
▲	8	1005506	(10378380- MAR2015 )	Fitting, Plstc, Cap, Spray, Pf04	1
▲	9	1047655	(10378380- MAR2015 )	Washer, Flat, 0.40b 0.75d .12 [Viton]	1
▲	10	1005507	(10378380- MAR2015 )	Fitting, Plstc, Body, Spray, Pf04	1
	11	01697	(10378380- MAR2015 )	Screw, Hex, .25- 20 X 0.62, Ss	1
	12	01685	(10378380- MAR2015 )	Washer, Flat, 0.38b 0.88d .08, Ss	1
	13	1044192	(10378380- MAR2015 )	Bracket, Mtg, Horn [Ec- H2o]	1
	14	1018505	(10446231- MAR2015 )	Horn, 12- 48vdc [88.5 Decibels]	1
	14	392937	(10378380- 10446230 )	Horn, 12- 48vdc [94 Decibels]	1
	15	1044790	(10378380- MAR2015 )	Valve, Check, 0025psi Pm04/Pf04	1
	16	50901	(10378380- MAR2015 )	Fitting, Plstc, Str, Bm04/Pm04	1
	17	1044414	(10378380- MAR2015 )	Switch, Press, 12psi, Pm02	1
	18	150520	(10378380- MAR2015 )	Fitting, Brs, Str, Bm04/Pf02	1
	19	1014441	(10378380- MAR2015 )	Fitting, Plstc, Tee, Bm04/Bm04/Bm06, Br	1
	20	54333	(10378380- MAR2015 )	Clamp, Hose, Wormdrive, 0.31- 0.88d, .31w	2
	21	1006400	(10378380- MAR2015 )	Hose, Afmkt, Pvc, Brd, 0.38id, 03ft, Clr	1
	22	43555	(00000000- MAR2015 )	Clamp, Hose, Wormdrive, 2.50- 3.50d, .50w	2
	23	1023463	(00000000- MAR2015 )	Bracket, Mtg, Pump [T5]	1
	24	1005630	(00000000- MAR2015 )	Fitting, Plstc, E90, Bm06/Pm06, Nyl	1
	25	1017386	(00000000- MAR2015 )	Valve, Vent, Air, Float Type	1
	26	24698	(00000000- MAR2015 )	Fitting, Brs, Str, Pf02/Pm06	1
	27	601483	(00000000- MAR2015 )	Fitting, Brs, Tee, Pf06/Pf06/Pm06, Run	1
	28	1042495	(10378380- MAR2015 )	Pump, Soltn, Ele, 24vdc, 35psi (See Breakdown)	1
	29	140328	(00000000- MAR2015 )	Clamp, Cable, Nyl, 0.38d, Blk	1
	30	1040868	(10378380- MAR2015 )	Capacitor, Plug [.01 Uf, 200v]	1
	31	1017532	(00000000- MAR2015 )	Fitting, Plstc, E90, Bm08/Pm06	1
	32	607776	(00000000- MAR2015 )	Clamp, Hose, Wir, .73 - .77, Silver	5
	33	613521	(00000000- MAR2015 )	Hose, Pvc, Clr, 0.50id 0.75od 012.0l (611259)	1
	34	613531	(00000000- MAR2015 )	Hose, Pvc, Clr, 0.50id 0.75od 045.0l (611259)	1
	35	1013599	(00000000- MAR2015 )	Valve, Water, Solenoid, 24vdc Bm10/Bm10	1
	36	1041978	(00000000- MAR2015 )	Clamp, Hose, Wir, .85 - .90, Silver	4
	37	605099	(00000000- MAR2015 )	Hose, Pvc, Clr, 0.62id 0.88od 003.0l (611259)	1
	38	1015486	(00000000- MAR2015 )	Fitting, Plstc, Tee, Bm08/Bm10/Bm10, Br	1
	39	1035355	(00000000- MAR2015 )	Hose, Afmkt, Pvc, Clr, 0.62id, 02ft (611259)	1
	40	630371	(00000000- MAR2015 )	Fitting, Plstc, E90, Bm10/Pm08	1
	41	1015522	(00000000- MAR2015 )	Filter, Screen, 080mesh, Ss, Pf08	1
	42	613521	(00000000- MAR2015 )	Hose, Pvc, Clr, 0.50id 0.75od 012.0l (611259)	1
	43	1010791	(10378380- MAR2015 )	Fitting, Plstc, Tee, Bm08/Bm08/Pm04, Br	1
	44	1028773	(10378380- MAR2015 )	Fitting, Brs, E90, Bm04/Pf04	1
	45	607306	(10378380- MAR2015 )	Fitting, Plstc, Tee, Bm04/Bm04/Pm04, Br	1
	46	150713	(10378380- MAR2015 )	Fitting, Plstc, Tee, Bm04/Bm04/Bm04	1
	47	130773	(10378380- MAR2015 )	Tie, Cable, Nyl, 11.0l, .14w, 3.0 Max. D	1
	48	613735	(10378380- MAR2015 )	Clamp, Hose, Wir, .40 - .42, Yel	1
	49	01683	(00000000- MAR2015 )	Washer, Flat, 10, Ss	2
	50	09200	(00000000- MAR2015 )	Screw, Pan, Phl, M5 X 0.80 X 12, Ss	2

# STANDARD PARTS

## ec-H2O MODULE ASSEMBLY BREAKDOWN, 9007970 (S/N 10448305-MFG BEFORE APRIL 2015)



**ec-H2O MODULE ASSEMBLY BREAKDOWN, 9007970  
(S/N 10448305- MFG BEFORE APRIL 2015)**

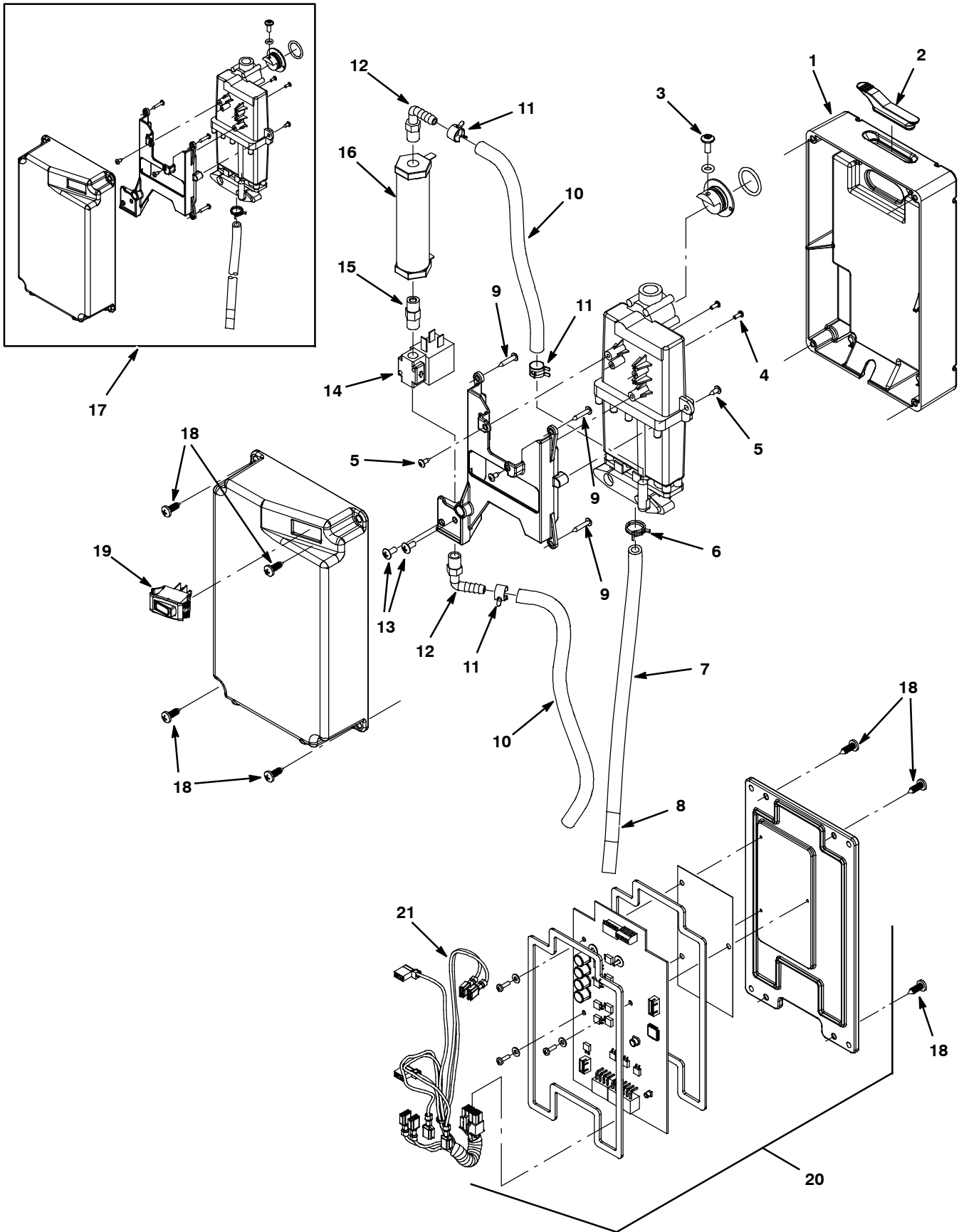
Ref.	Part No.	Serial Number	Description	Qty.
▽	9007970	(10448305- MAR2015 )	Module Kit, Replmt [Ec- H2o]	1
▲▽	9006324	(10448305- MAR2015 )	Ec- H2o Kit [Module B, Plumbing]	1
▲▲	1 578820000	(10448305- MAR2015 )	Hose, Pvc, Brd, 0.25id 0.44od 157.2l,Clr	1
▲▲	2 603654	(10448305- MAR2015 )	Clamp, Hose, Ear, .44d [Ctb]	4
▲▲	3 1037595	(10448305- MAR2015 )	Fitting, Plstc, E90, Bm04/Pm02, Nyl	2
▲▲	4 1062006	(10448305- MAR2015 )	Electrode, Cylindrical	1
▲▲	5 1045030	(10448305- MAR2015 )	Fitting, Brs, Str, Pm02/Pm02	1
▲▲	6 33932	(10448305- MAR2015 )	Nut, Hex, Lock, M4 X 0.70, NI, Ss	4
▲▲	7 41579	(10448305- MAR2015 )	Washer, Flat, 08, Ss	4
▲▲	8 1048490	(10448305- MAR2015 )	Bracket, Valve	1
▲▲	9 140801	(10448305- MAR2015 )	Screw, Trs, Phl, 08- 32 X 0.38, Ss	2
▲▲	10 1013236	(10448305- MAR2015 )	Valve, Shutoff, Ele, 24vdc	1
▲▲	11 9006574	(10448305- MAR2015 )	Hose, Pvc, Brd, 0.25id 0.45od, 65l, Clr	1
▲▲	12 1049637	(10448305- MAR2015 )	Label, Direction [Ec- H2o]	1
▲▲	13 1057637	(10448305- MAR2015 )	Electrode, 5 Plate, High Flow	1
▲▲	14 1051519	(10448305- MAR2015 )	Housing, Upper, Module, High Flow	1
▲▲	15 1044393	(10448305- MAR2015 )	Switch, Rocker, Spst, Mom,	1
▲▲	16 32509	(10448305- MAR2015 )	Screw, Hex, M4 X 0.70 X 50, Ss	4
▲▲	17 1049489	(10448305- MAR2015 )	Harness, Main, Controller [Ec- H2o, P3]	1
▲	18 1037032	(10448305- MAR2015 )	Housing, Bottom	1
▲	19 1054776	(10448305- MAR2015 )	Grommet, Blind	1
▲	20 9007969	(10448305- MAR2015 )	Controller Kit, Replmt [Ec- H2o]	1
▲	21 1018155	(10448305- MAR2015 )	Screw, Pan, Phl, M5 X 0.80 X 16, Tcut,Ss	8

▽ ASSEMBLY

▲ INCLUDED IN ASSEMBLY

# STANDARD PARTS

## ec-H2O MODULE ASSEMBLY BREAKDOWN, 9006161 (S/N 10378380- 10448304)



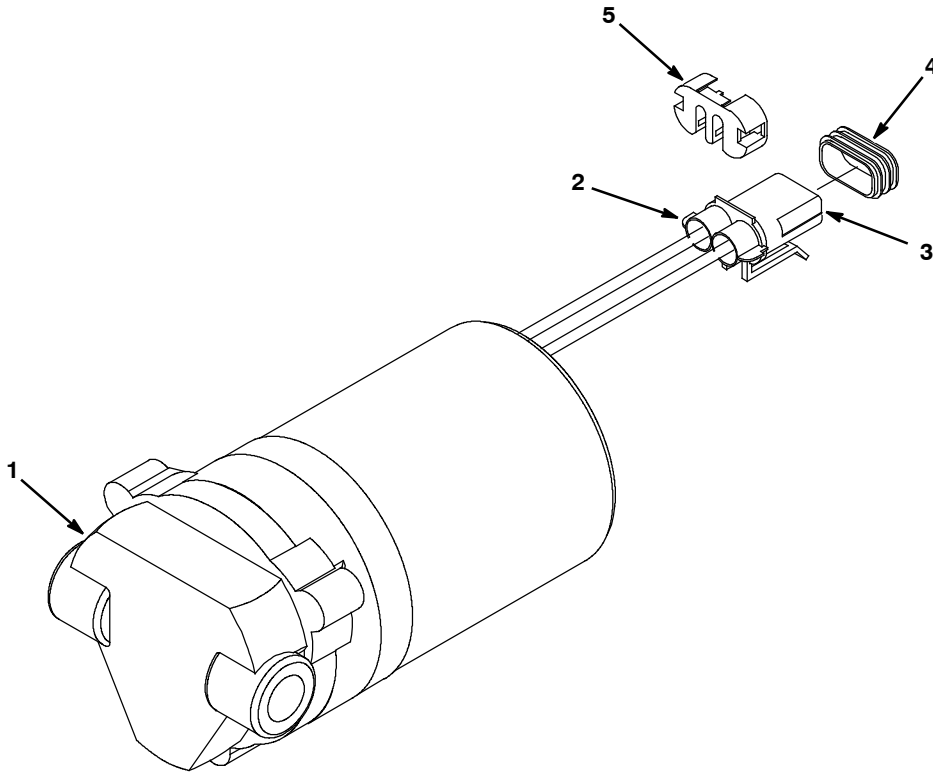
**ec-H2O MODULE ASSEMBLY BREAKDOWN, 9006161 (S/N 10378380- 10448304)**

Ref.	Part No.	Serial Number	Description	Qty.
▽	9006161	(10378380- 10448304 )	Module Kit, Replmt [Ec- H2o]	1
▲	1 1037032	(10378380- )	Housing, Bottom	1
▲	2 1054776	(10378380- )	Grommet, Blind	1
▲	3 609062	(10378380- 10448304 )	Screw, Trs, Phl, 08- 32 X 0.38, Ss	1
▲	4 578860	(10378380- 10448304 )	Screw, Pan, Phl, 04- 40 X 0.31, Pl	2
▲	5 3701.6	(10378380- 10448304 )	Screw, Pan, Phl, 06- 32 X 0.38, Shtmtl,Ss	4
▲	6 613735	(10378380- )	Clamp, Hose, Wir, .40 - .42, Yel	1
▲	7 9004606	(10378380- 10448304 )	Hose, Pvc, Brd, .25id .45od 46l, Clr	1
▲	8 1049637	(10378380- )	Label, Direction [Ec- H2o]	1
▲	9 140826	(10378380- 10448304 )	Screw, Pan, 06- 32 X 0.75, Fmg/Ab, Ss	4
▲	10 578820000	(10378380- )	Hose, Pvc, Brd, 0.25id 0.44od 157.2l,Clr	1
▲	11 603654	(10378380- )	Clamp, Hose, Ear, .44d [Ctb]	4
▲	12 1037595	(10378380- )	Fitting, Plstc, E90, Bm04/Pm02, Nyl	2
▲	13 140801	(10378380- 10448304 )	Screw, Trs, Phl, 08- 32 X 0.38, Ss	2
▲	14 1013236	(10378380- )	Valve, Shutoff, Ele, 24vdc	1
▲	15 1045030	(10378380- )	Fitting, Brs, Str, Pm02/Pm02	1
▲	16 1038159	(10378380- )	Electrode, Cylindrical	1
▲	17 N/A	(10378380- 10448304 )	Replaced By E- Cell Upgrade Kit P/N 9006324 (Includes Items 1- 17 On Page 63)	1
▲	18 1018155	(10378380- )	Screw, Pan, Phl, M5 X 0.80 X 16, Tcut,Ss	8
▲	19 1044393	(10378380- )	Switch, Rocker, Spst, Mom,	1
▲	20 9006159	(10378380- )	Controller Kit, Replmt [Ec- H2o]	1
▲	21 1044399	(10378380- 10448304 )	Harness, Main, Controller [Ec- H2o, P3]	1

▽ ASSEMBLY

▲ INCLUDED IN ASSEMBLY

**1042495 SOLUTION PUMP BREAKDOWN**



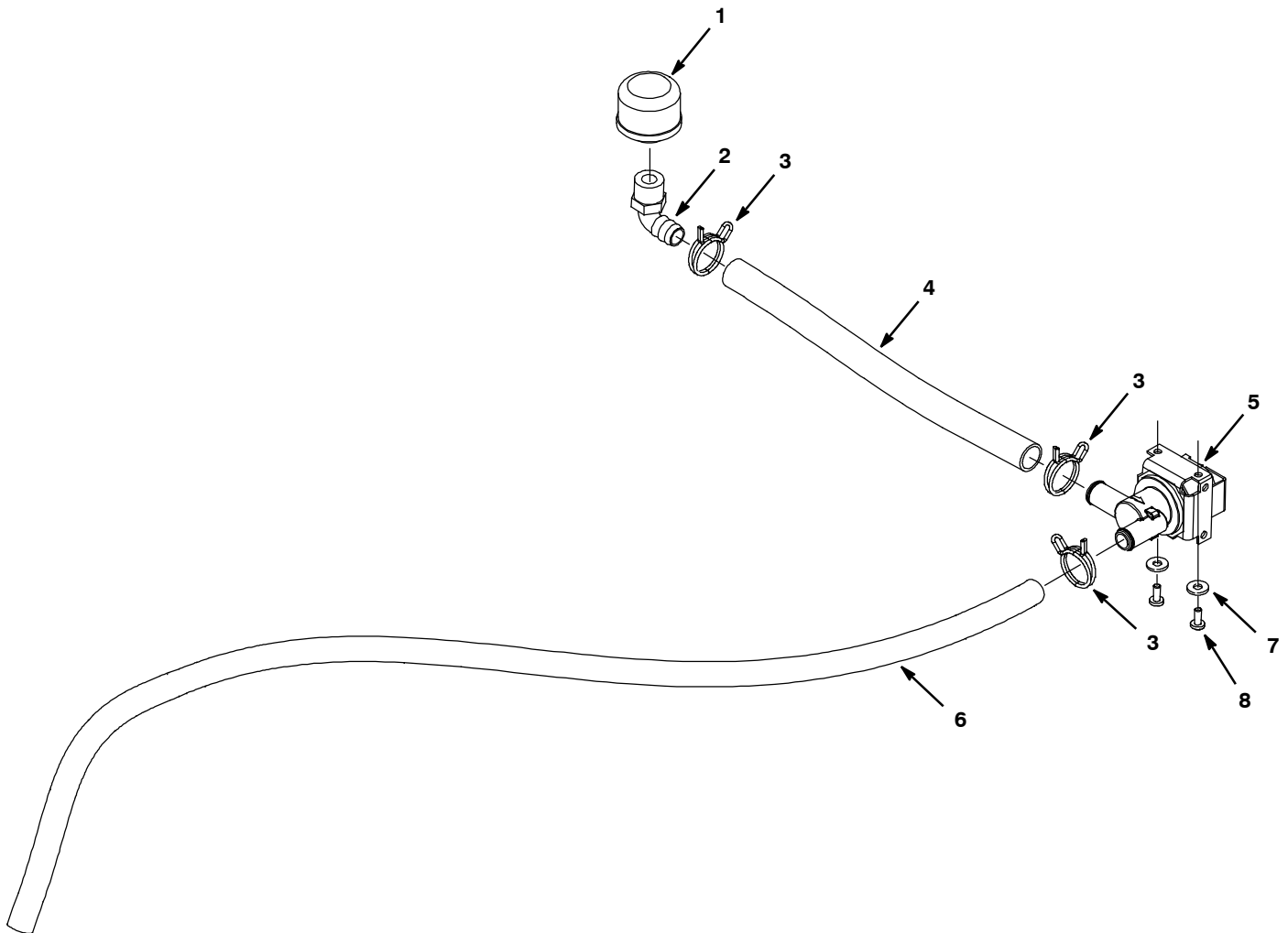
Ref.	Part No.	Serial Number	Description	Qty.	
▽	1042495	(10378380-	) Pump, Soltn, Ele, 24vdc, 35psi	1	
▲	1	9004759	(10378380-	) Pump Kit, Head, Soltn [Echo]	1
▲	2	78950	(10378380-	) Connector, Fem, 02cav, Mp280 Sealed	1
▲	3	78951	(10378380-	) Terminal, Fem, Mp280, Sealed, 18- 16ga	1
▲	4	10917	(10378380-	) Seal, Wire, 14/16ga [Wp / Mp280 Sealed]	1
▲	5	78952	(10378380-	) Lock, Secondary, 2cav, Mp280 Sealed	1

▽ ASSEMBLY

▲ INCLUDED IN ASSEMBLY

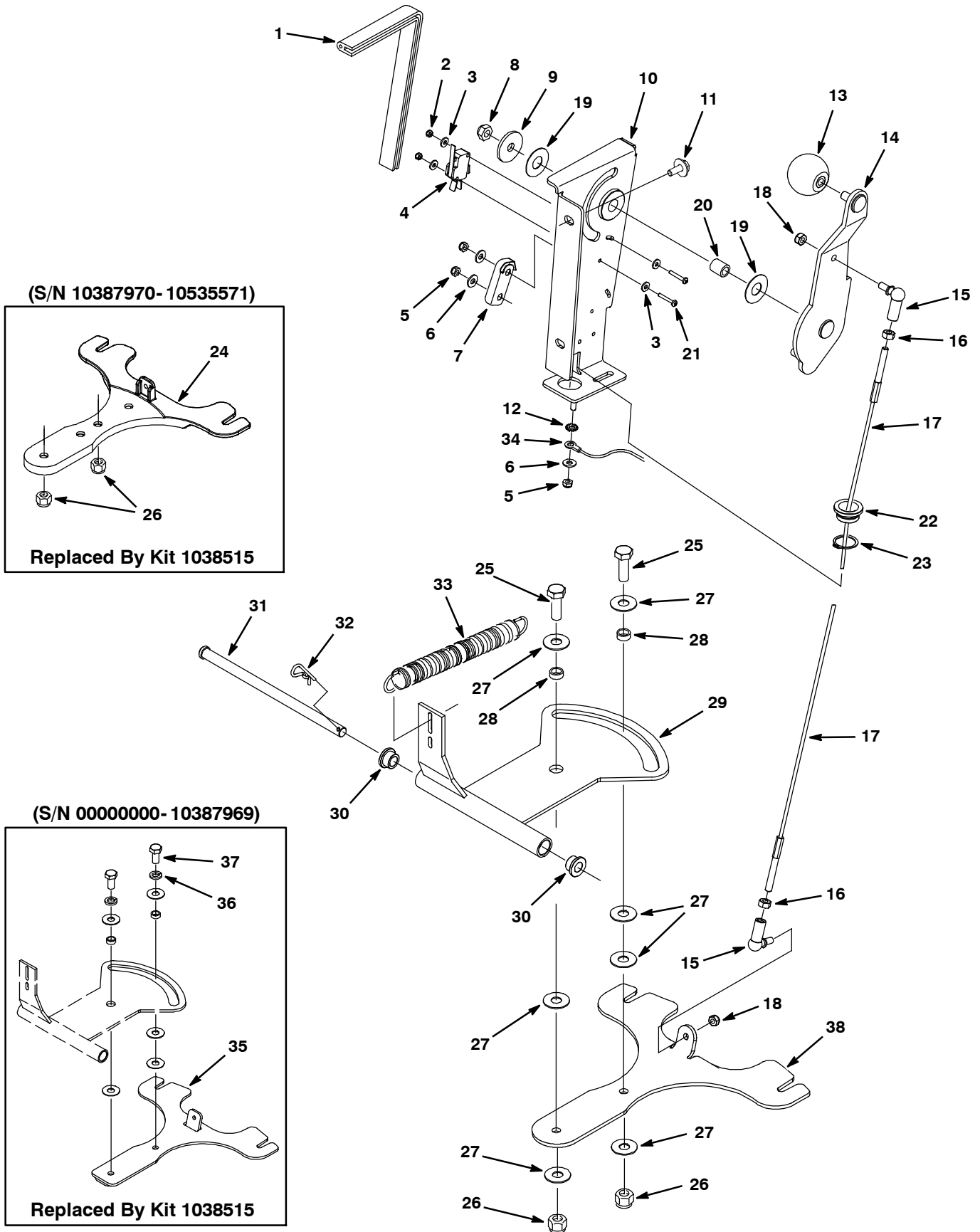


SOLUTION GROUP, STANDARD MODEL



Ref.	Part No.	Serial Number	Description	Qty.
1	1015522	(00000000-	) Filter, Screen, 080 Mesh, Pf08, Ss	1
2	630371	(00000000-	) Fitting, Plstc, E90, Bm10/Pm08	1
3	1041978	(00000000-	) Clamp, Hose, Wir, .85 - .90, Silver	3
4	1035355	(00000000-	) Hose, Afrmkt, Pvc, Clr, 0.62id, 02ft	1
5	1013599	(00000000-	) Valve, Water, Solenoid, 24vdc, 10bm/10bm	1
6	613531	(00000000-	) Tubing 1/2idx3/4od Vinyl 611259 Ft 3.750	1
7	01683	(00000000-	) Washer, Flat, 10, Ss	2
8	09200	(00000000-	) Screw, Pan, Phl, M5 X 0.80 X 12, Ss	2

SQUEEGEE LIFT GROUP



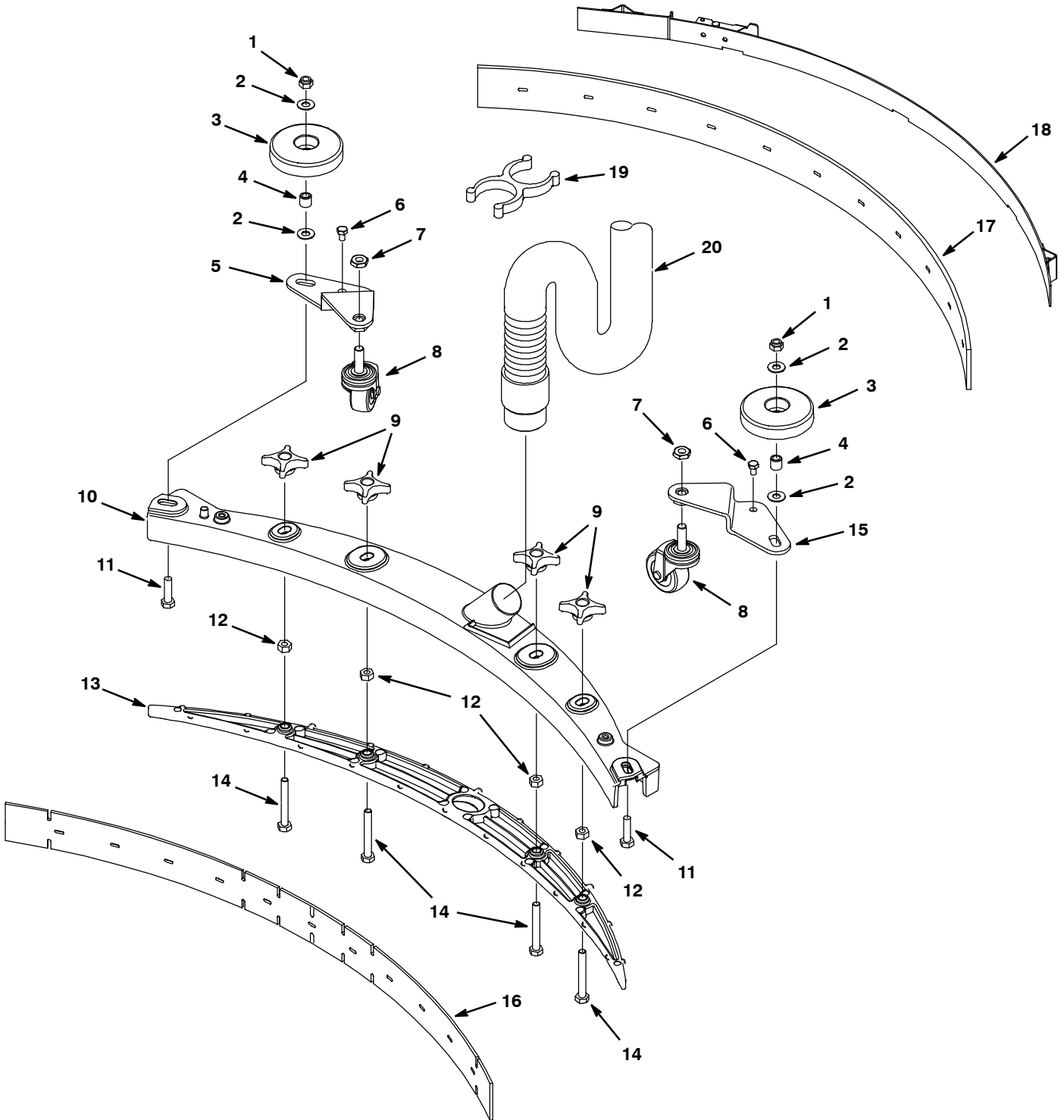
## SQUEEGEE LIFT GROUP

Ref.	Part No.	Serial Number	Description	Qty.	
1	1008675	(00000000-	) Gasket, Edge, Foam, 24.00l [Fr]	1	
2	579211	(00000000-	) Nut, Hex, Lock, M3 X .5, Ss	2	
3	41578	(00000000-	) Washer, Flat, #06, Ss	4	
4	1012568	(00000000-	) Switch, Snap, 10a, Short	1	
5	09739	(00000000-	) Nut, Hex, Lock, M5 X 0.8, NI, Ss	3	
6	01683	(00000000-	) Washer, Flat, #10, Ss	3	
7	1024060	(00000000-	) Spring, Lever, Sqge, W/ 90° Bend	1	
8	08713	(00000000-	) Nut, Hex, Lock, M8 X 1.25, NI, Ss	1	
9	1016331	(00000000-	) Washer, Flat, 0.34b 1.25d .11, Ss	1	
10	1020922	(00000000-	) Bracket, Lift, Sqge	1	
11	1034731	(00000000-	) Screw, Hex, M6 X 1.00 X 16, Sems, Ss	2	
12	140052	(00000000-	) Washer, Lock, Ext, 0.25 Ss	1	
13	1017156	(00000000-	) Knob, Ball, M8 Insert, 40mmd, Plstc	1	
14	1024354	(00000000-	) Lever, Sqge	1	
15	1012747	(00000000-	) Balljoint, M6 X 1.0 Fem, M6 X 1.0 Mal	2	
16	07785	(00000000-	) Nut, Hex, Std, M6 X 1.00, A2, Ss	2	
17	1024105	(00000000-	) Cable, Lift, Sqge	1	
18	08712	(00000000-	) Nut, Hex, Lock, M6 X 1.0, Ss, NI	2	
19	1013397	(00000000-	) Washer, Flat, M13 X 30 X 0.8, Nyl	2	
20	1014336	(00000000-	) Sleeve, P/M, 8.40b 12.60d 14.5l, PI	1	
21	06922	(00000000-	) Screw, Pan, M3 X 0.5 X 20, 4.8	2	
22	1009363	(00000000-	) Bushing, Cable	1	
23	621236	(00000000-	) Ring, Retaining, Ext, 0.81d	1	
▽	24	1038515	(10387970- 10535571 ) Bracket Kit, Sqge, Conversion [T5]	1	
▲	25	12309	(10387970-	) Screw, Hex, M12 X 1.75 X 30, Ss	2
▲	26	09741	(10387970-	) Nut, Hex, Lock, M12 X 1.75, NI, Ss	2
▲	27	140045	(00000000-	) Washer, Flat, 0.51b 1.25d .06, Ss	7
▲	28	1013662	(00000000-	) Bushing, Sleeve, 12mm 16mm 6.5mml, Pm Yw	2
	29	1020974	(00000000-	) Bracket Wldt, Pivot, Sqge	1
	30	606058	(00000000-	) Bearing, Flng .505id .753od	2
	31	1026232	(00000000-	) Pin, Clevis, 0.50 D X 9.25l	1
	32	140626	(00000000-	) Pin, Hair Cotter, 0.25 D .125 Wir	1
	33	140423	(00000000-	) Spring, Brush Press	1
	34	1029310	(00000000-	) Harness, Ground, 12 Awg	1
	35	1024215	(00000000- 10387969 ) Bracket Wldt, Mtg, Sgg [T5] (REPLACED BY 1038515)	1	
	36	140024	(00000000- 10387969 ) Washer, Lock, Split, 0.50, Ss	2	
	37	1033003	(00000000- 10387969 ) Screw, Hex, M12 X 1.75 X 25, NI, Ss	2	
	38	1066260	(10535572-	) Bracket, Mtg, Sqge, Stl [T5]	1

▽ ASSEMBLY

▲ INCLUDED IN ASSEMBLY

SQUEEGEE GROUP, 20 in / 500 mm



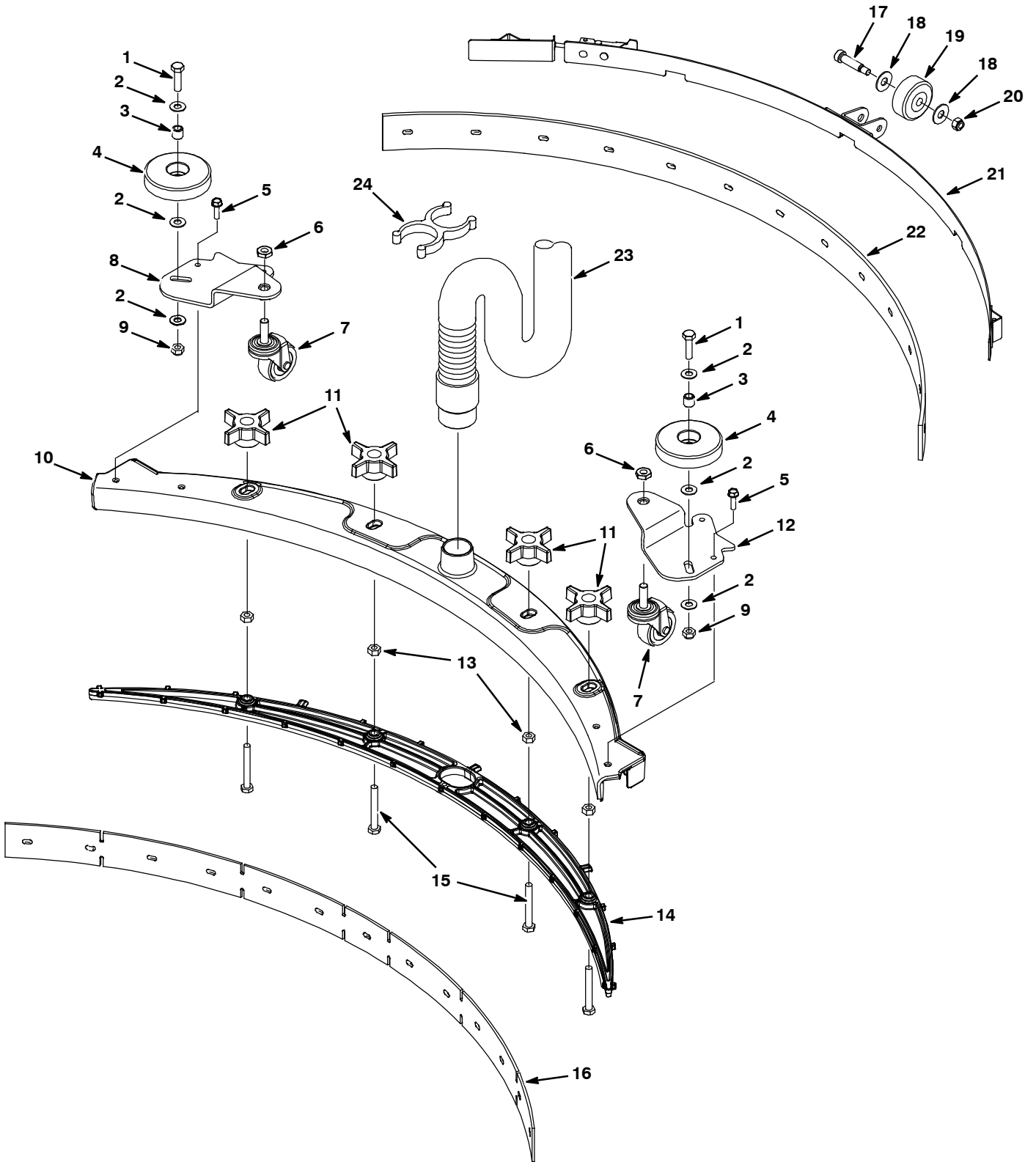
## SQUEEGEE GROUP, 20 in / 500 mm

Ref.	Part No.	Serial Number	Description	Qty.
▽	9001178	(00000000-	) Squeegee Assy Kit, 500mm, Ci	1
▲	1 08713	(00000000-	) Nut, Hex, Lock, M8 X 1.25, NI, Ss	2
▲	2 140027	(00000000-	) Washer, Flat, 0.35b 0.75d .04, Ss	4
▲	3 1010560	(00000000-	) Wheel, Bmpr, 80d X 25w, Non- Marking	2
▲	4 222460	(00000000-	) Sleeve, P/M, 0.31b 0.50d 0.5l [430ss]	2
▲	5 1011228	(00000000-	) Plate, Mtg, Caster, Sqge, Rh	1
▲	6 74455	(00000000-	) Screw, Hex, M6 X 1.0 X 12, Fmg	2
▲	7 32716	(00000000-	) Nut, Hex, Jam, M10 X 1.5, Ss	2
▲	8 1006343	(00000000-	) Caster, Swivel, 50mmd, M10 X 30 Stem, PI	2
▲	9 1010558	(00000000-	) Knob, Star, 2.00d 4ear 0.7l M8x1.25 Thru	4
▲	10 1011163	(00000000-	) Frame, Sqge, 74cm, Die Cast [50cm]	1
▲	11 09011	(00000000-	) Screw, Hex, M8 X 1.25 X 30, Ss	2
▲	12 07786	(00000000-	) Nut, Hex, Std, M8 X 1.25, Ss	4
▲	13 1019919	(00000000-	) Retainer, Sqge, 76cm [50cm] Nyl, Blk	1
▲	14 1014163	(00000000-	) Screw, Hex, M8 X 1.25 X 60, Fl, Ss	4
▲	15 1011956	(00000000-	) Plate, Mtg, Caster, Sqge, Lh	1
▲	16 1011232	(00000000-	) Blade, Sqge, Front, 500mml (Standard)	1
	16 1014091	(00000000-	) Blade, Sqge, Front, 500mm, Gum (Optional)	1
	16 1014092	(00000000-	) Blade, Sqge, Front, 500mml, Oil- Rstn (Optional)	1
▲	17 1011456	(00000000-	) Blade, Sqge, Rear, 500mm Linatex (Standard)	1
	17 1014093	(00000000-	) Blade, Sqge, Rear, 500mm Gum (Optional)	1
	17 1014094	(00000000-	) Blade, Sqge, Rear, 500mm Oil- Rstn (Optional)	1
▲	18 1013933	(00000000-	) Strap Assy, Sqge, 500mm	1
	19 1014079	(00000000-	) Clip, Grip, Hose, 1.50id, Dbl, Blk Pyp	1
	20 1014026	(00000000-	) Hose, Vacuum, 1.5d X 57l, 2- Short Cuffs	1

▽ ASSEMBLY

▲ INCLUDED IN ASSEMBLY

SQUEEGEE GROUP, 24 in / 600 mm



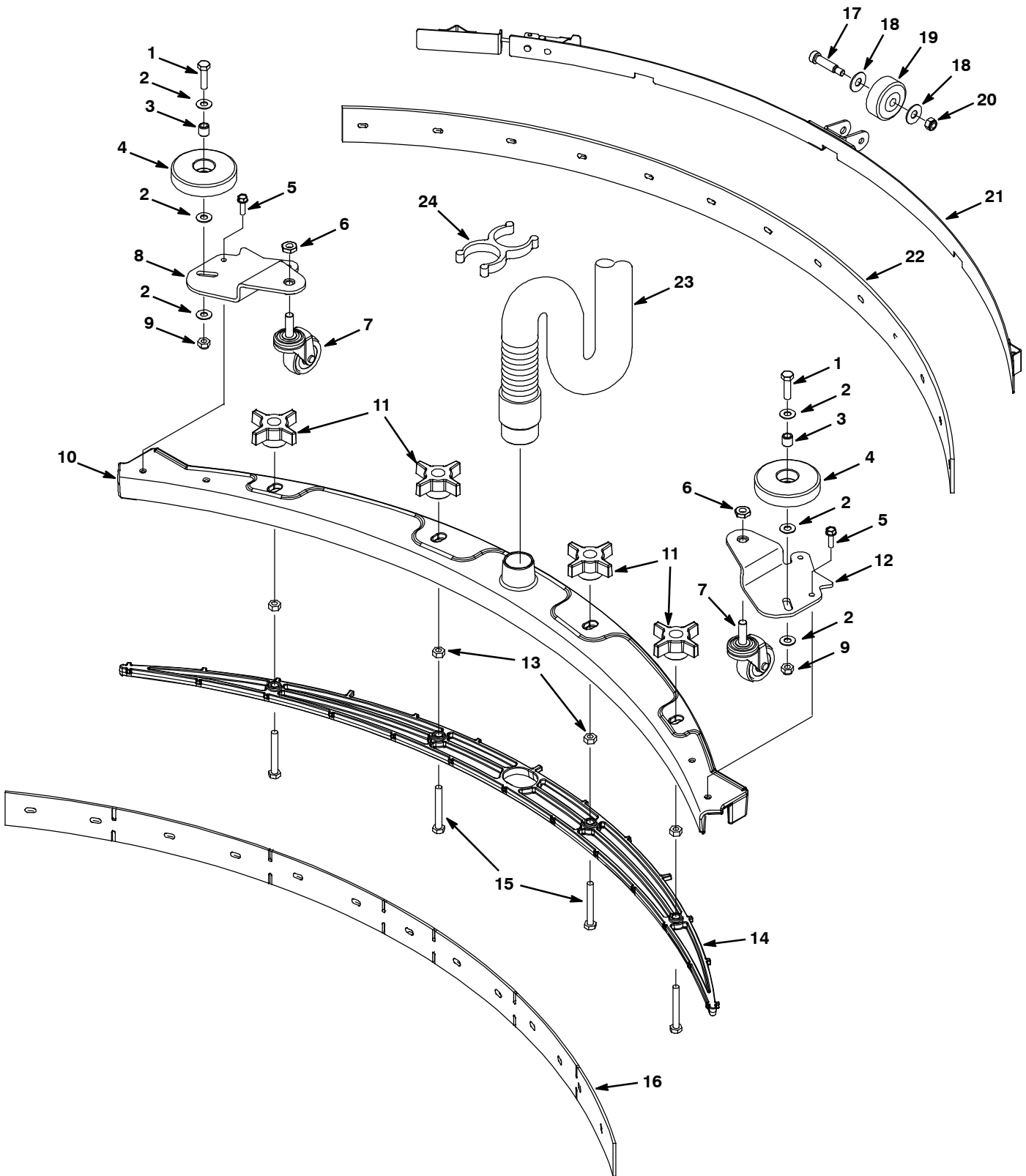
## SQUEEGEE GROUP, 24 in / 600 mm

Ref.	Part No.	Serial Number	Description	Qty.
▽	9002679	(00000000-	) Kit, Squeegee, 600mm Ci	1
▲	1 09011	(00000000-	) Screw, Hex, M8 X 1.25 X 30, Ss	2
▲	2 140027	(00000000-	) Washer, Flat, 0.35b 0.75d .04, Ss	6
▲	3 222460	(00000000-	) Sleeve, P/M, 0.496d 0.318b 0.50l 430ss	2
▲	4 1010560	(00000000-	) Wheel, Bmpr, 80d X 25w, Non- Marking	2
▲	5 12459	(00000000-	) Screw, Hex, M6 X 1.0 X 20, Fmg	4
▲	6 32716	(00000000-	) Nut, Hex, Jam, M10 X 1.5, Ss	2
▲	7 1006343	(00000000-	) Caster, Swivel, 50mm D, M10 X 30 Stem,Zn	2
▲	8 1023273	(00000000-	) Plate, Caster, Mtg, Sqge, Rh	1
▲	9 08713	(00000000-	) Nut, Hex, Lock, M8 X 1.25, NI, Ss	2
▲	10 1021798	(00000000-	) Frame, Sqge, 89cm [60cm]	1
▲	11 1015911	(00000000-	) Knob, Star, 2.75d 4ear 1.1l M8x1.25 Thru	4
▲	12 1023291	(00000000-	) Plate, Caster, Mtg, Sqge, Lh	1
▲	13 07786	(00000000-	) Nut, Hex, Std, M8 X 1.25, Ss	4
▲	14 1026354	(00000000-	) Retainer , Blade, Sqge, 600mm [Plstc]	1
▲	15 1014163	(00000000-	) Screw, Hex, M8 X 1.25 X 60, FI, Ss	4
▲	16 1021804	(00000000-	) Blade, Sqge, Front, 88cml [Lnx, 60cm] (Standard)	1
	16 1025333	(00000000-	) Blade, Sqge, Front, 88cml, Gum [60cm] (Optional)	1
	16 1025334	(00000000-	) Blade, Sqge, Front, 88cml, Ure [60cm] (Optional)	1
▲	17 600187	(00000000-	) Bolt, Shld, .38d X 1.25, .31- 18	1
▲	18 140028	(00000000-	) Washer, Flat, 0.42b 1.00d .05, Ss	2
▲	19 630477	(00000000-	) Wheel, Pyu, 2.0d 0.38w, Gray	1
▲	20 32983	(00000000-	) Nut, Hex, Lock, .31- 18, NI	1
▲	21 1022456	(00000000-	) Retainer Assy, Blade, Sqge, 600mm	1
▲	22 1021333	(00000000-	) Blade, Sqge, Rear, 88cm,Linatex[60cm] (Standard)	1
	22 1025335	(00000000-	) Blade, Sqge, Rear, 88cml, Gum [60cm] (Optional)	1
	22 1025336	(00000000-	) Blade, Sqge, Rear, 88cm, Ure [60cm] (Optional)	1
	23 1014026	(00000000-	) Hose, Vacuum, 1.5d X 57l, 2- Short Cuffs	1
	24 1014079	(00000000-	) Clip, Hose, Gripper, 1.50id, Dbl, Blk Pp	1

▽ ASSEMBLY

▲ INCLUDED IN ASSEMBLY

SQUEEGEE GROUP, 26 in / 650 mm & 28 in / 700 mm





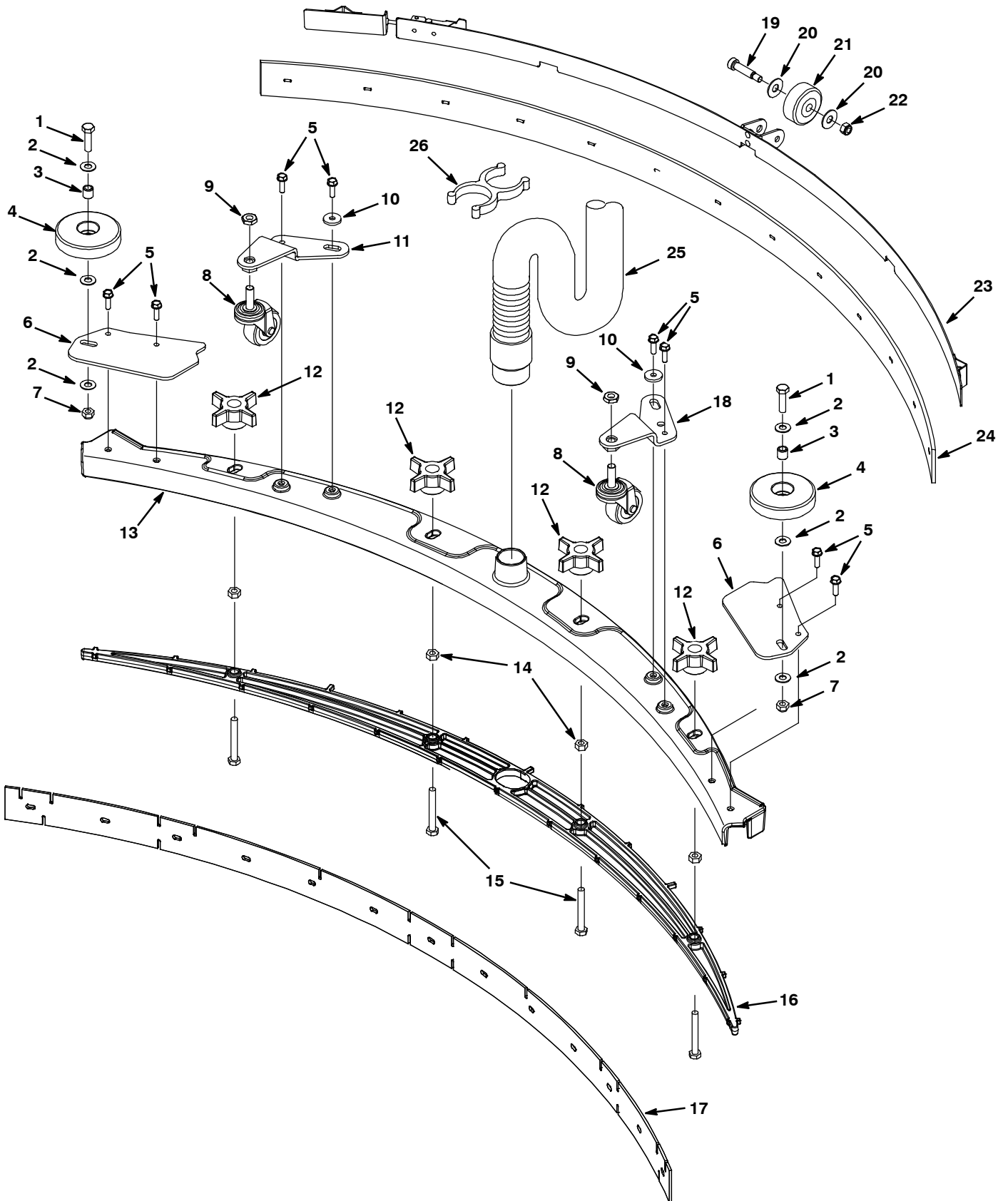
## SQUEEGEE GROUP, 26 in / 650 mm &amp; 28 in / 700 mm

Ref.	Part No.	Serial Number	Description	Qty.
▽	9002680	(00000000-	) Kit, Squeegee, 700mm Ci	1
▲	1 09011	(00000000-	) Screw, Hex, M8 X 1.25 X 30, Ss	2
▲	2 140027	(00000000-	) Washer, Flat, 0.35b 0.75d .04, Ss	6
▲	3 222460	(00000000-	) Sleeve, P/M, 0.496d 0.318b 0.50l 430ss	2
▲	4 1010560	(00000000-	) Wheel, Bmpr, 80d X 25w, Non- Marking	2
▲	5 12459	(00000000-	) Screw, Hex, M6 X 1.0 X 20, Fmg	4
▲	6 32716	(00000000-	) Nut, Hex, Jam, M10 X 1.5, Ss	2
▲	7 1006343	(00000000-	) Caster, Swivel, 50mm D, M10 X 30 Stem,Zn	2
▲	8 1023273	(00000000-	) Plate, Caster, Mtg, Sqge, Rh	1
▲	9 08713	(00000000-	) Nut, Hex, Lock, M8 X 1.25, NI, Ss	2
▲	10 1023326	(00000000-	) Frame, Sqge, 104cm [70cm]	1
▲	11 1015911	(00000000-	) Knob, Star, 2.75d 4ear 1.1l M8x1.25 Thru	4
▲	12 1023291	(00000000-	) Plate, Caster, Mtg, Sqge, Lh	1
▲	13 07786	(00000000-	) Nut, Hex, Std, M8 X 1.25, Ss	4
▲	14 1026416	(00000000-	) Retainer, Blade, Sqge, 700mm [Plstc]	1
▲	15 1014163	(00000000-	) Screw, Hex, M8 X 1.25 X 60, Fl, Ss	4
▲	16 1023327	(00000000-	) Blade, Sqge, Front, 98cml [Lnx, 70cm] (Standard)	1
	16 1025337	(00000000-	) Blade, Sqge, Front, 98cml, Gum [70cm] (Optional)	1
	16 1025339	(00000000-	) Blade, Sqge, Front, 98cml, Ure [70cm] (Optional)	1
▲	17 600187	(00000000-	) Bolt, Shld, .38d X 1.25, .31- 18	1
▲	18 140028	(00000000-	) Washer, Flat, 0.42b 1.00d .05, Ss	2
▲	19 630477	(00000000-	) Wheel, Pyu, 2.0d 0.38w, Gray	1
▲	20 32983	(00000000-	) Nut, Hex, Lock, .31- 18, NI	1
▲	21 1023335	(00000000-	) Bracket Wldt, Sqge, Band Clamp, 98cm	1
▲	22 1023329	(00000000-	) Blade, Sqge, Rear, 98cm,Linatex[70cm] (Standard)	1
	22 1025340	(00000000-	) Blade, Sqge, Rear, 98cml, Gum [70cm] (Optional)	1
	22 1025341	(00000000-	) Blade, Sqge, Rear, 98cm, Ure [70cm] (Optional)	1
	23 1014026	(00000000-	) Hose, Vacuum, 1.5d X 57l, 2- Short Cuffs	1
	24 1014079	(00000000-	) Clip, Hose, Gripper, 1.50id, Dbl, Blk Pp	1

▽ ASSEMBLY

▲ INCLUDED IN ASSEMBLY

SQUEEGEE GROUP, 32 in / 800 mm



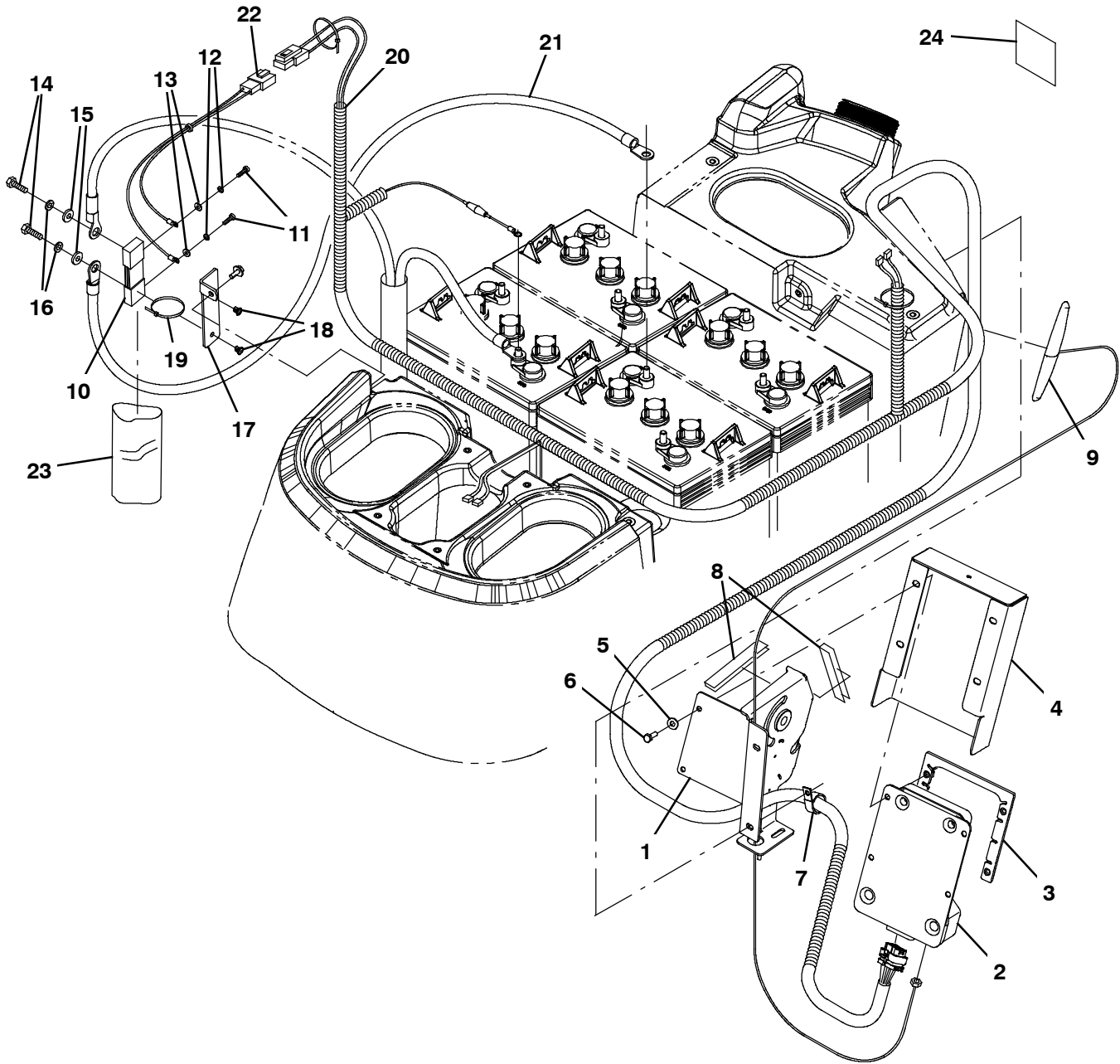
## SQUEEGEE GROUP, 32 in / 800 mm

Ref.	Part No.	Serial Number	Description	Qty.
▽	9002681	(00000000-	) Kit, Squeegee, 800mm Ci	1
▲	1 09011	(00000000-	) Screw, Hex, M8 X 1.25 X 30, Ss	2
▲	2 140027	(00000000-	) Washer, Flat, 0.35b 0.75d .04, Ss	6
▲	3 222460	(00000000-	) Sleeve, P/M, 0.496d 0.318b 0.50l 430ss	2
▲	4 1010560	(00000000-	) Wheel, Bmpr, 80d X 25w, Non- Marking	2
▲	5 12459	(00000000-	) Screw, Hex, M6 X 1.0 X 20, Fmg	8
▲	6 1023426	(00000000-	) Bracket, Mtg, Sqge Bumper	2
▲	7 08713	(00000000-	) Nut, Hex, Lock, M8 X 1.25, NI, Ss	2
▲	8 1006343	(00000000-	) Caster, Swivel, 50mm D, M10 X 30 Stem,Zn	2
▲	9 32716	(00000000-	) Nut, Hex, Jam, M10 X 1.5, Ss	2
▲	10 140053	(00000000-	) Washer, Flat, 0.28b 0.88d .12, Ss	2
▲	11 1011228	(00000000-	) Plate, Mtg, Caster, Sqge, Rh	1
▲	12 1015911	(00000000-	) Knob, Star, 2.75d 4ear 1.1l M8x1.25 Thru	4
▲	13 1023396	(00000000-	) Frame, Sqge, 117cm [80cm]	1
▲	14 07786	(00000000-	) Nut, Hex, Std, M8 X 1.25, Ss	4
▲	15 1014163	(00000000-	) Screw, Hex, M8 X 1.25 X 60, Fl, Ss	4
▲	16 1024970	(00000000-	) Retainer, Blade, Sqge, 800mm [Plstc]	1
▲	17 1023398	(00000000-	) Blade, Sqge, Front, 105cm [Linx 80cm] (Standard)	1
	17 1025342	(00000000-	) Blade, Sqge, Front, 105cml, Gum[80cm] (Optional)	1
	17 1025343	(00000000-	) Blade, Sqge, Front, 105cm, Ure [80cm] (Optional)	1
▲	18 1011956	(00000000-	) Plate, Mtg, Caster, Sqge, Lh	1
▲	19 600187	(00000000-	) Bolt, Shld, .38d X 1.25, .31- 18	1
▲	20 140028	(00000000-	) Washer, Flat, 0.42b 1.00d .05, Ss	2
▲	21 630477	(00000000-	) Wheel, Pyu, 2.0d 0.38w, Gray	1
▲	22 32983	(00000000-	) Nut, Hex, Lock, .31- 18, NI	1
▲	23 1023400	(00000000-	) Retainer Assy, Blade, Sqge, 800mm	1
▲	24 1023399	(00000000-	) Blade, Sqge, Rear, 105cml[Linx, 80cm] (Standard)	1
	24 1025344	(00000000-	) Blade, Sqge, Rear, 105cml, Gum [80cm] (Optional)	1
	24 1025346	(00000000-	) Blade, Sqge, Rear, 105cml, Ure [80cm] (Optional)	1
	25 1014026	(00000000-	) Hose, Vacuum, 1.5d X 57l, 2- Short Cuffs	1
	26 1014079	(00000000-	) Clip, Hose, Gripper, 1.50id, Dbl, Blk Pp	1

▽ ASSEMBLY

▲ INCLUDED IN ASSEMBLY

TELEMETRY GROUP



## TELEMETRY GROUP

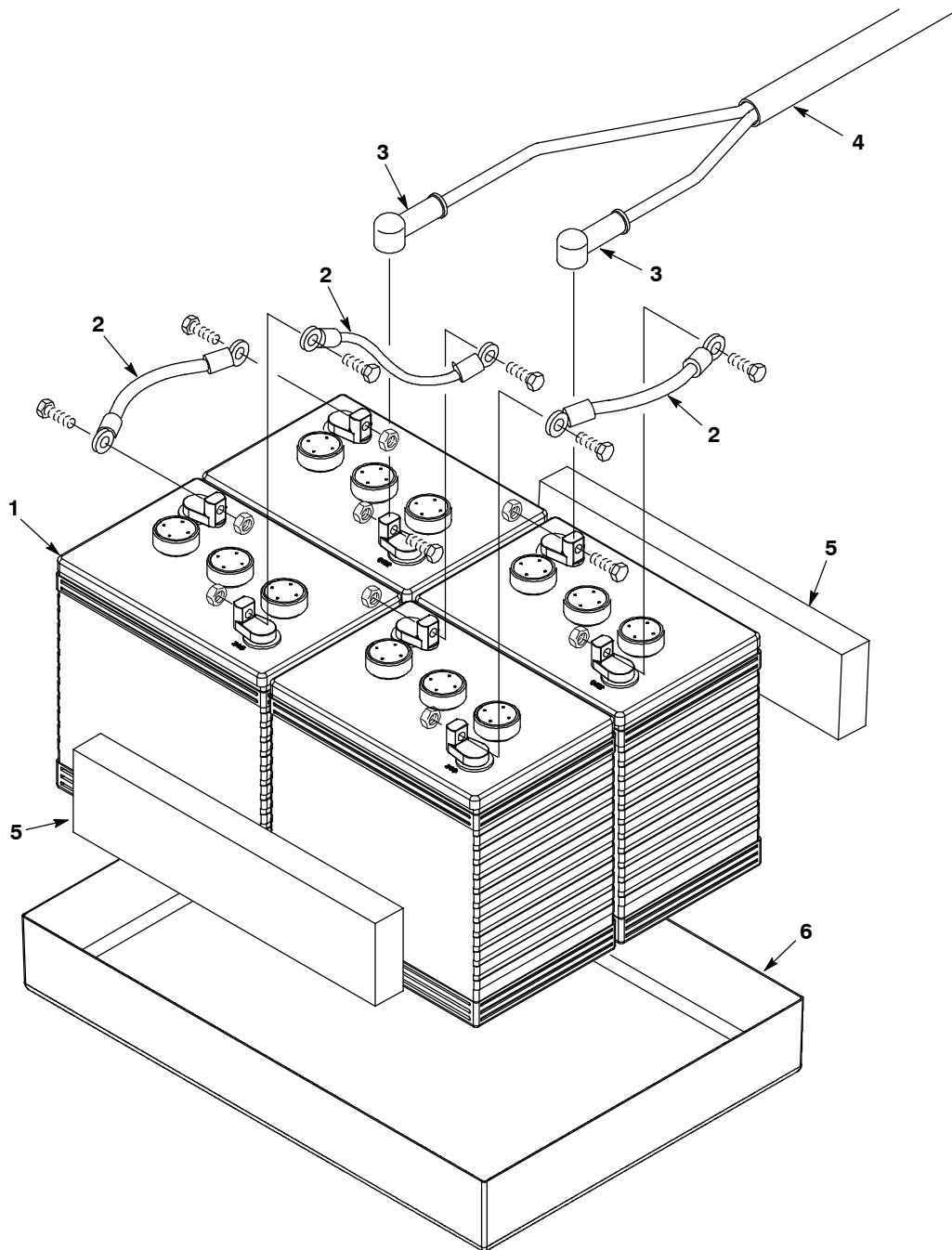
Ref.	Part No.	Serial Number	Description	Qty.	
1	1216224	(APR2015-	) Bracket Wldt, Lift, Sqge [T5]	1	
2	9010085	(APR2015-	) Control Box Assy Kit, Replmt, Telem[Usa]	1	
2	9010086	(APR2015-	) Control Box Assy Kit, Replmt, Telem[Can]	1	
3	1216841	(APR2015-	) Guard Wldt, Controlbox	1	
4	1217789	(APR2015-	) Cover, Guard	1	
5	32483	(APR2015-	) Washer, Flat, 0.25, Sae	4	
6	06943	(APR2015-	) Screw, Hex, M6 X 1.00 X 20, 8.8	4	
7	630428	(APR2015-	) Clamp, Cable, Stl, 1.00d X 0.50w,.25mnt	1	
8	1006267	(APR2015-	) Seal, Edge, Foam, .37, .75w, Bulk	1	
9	1070659	(APR2015-	) Antenna, Telem, 70 In [Gprs]	1	
10	1217304	(APR2015-	) Shunt [Empro, 250amp/50mv, Metric]	1	
11	391403	(APR2015-	) Screw, Pan, Phl, M4 X 0.70 X 8, Ss	2	
12	02938	(APR2015-	) Washer, Lock, Int, 08, Ss	2	
13	41578	(APR2015-	) Washer, Flat, 06, Ss	2	
14	15675	(APR2015-	) Screw, Hex, M8 X 1.25 X 16, Ss	2	
15	01685	(APR2015-	) Washer, Flat, 0.38b 0.88d .08, Ss	2	
16	43952	(APR2015-	) Washer, Lock, Int, 0.31, Ss	2	
17	1215919	(APR2015-	) Bracket, Shunt	1	
18	1202868	(APR2015-	) Clip, Tie, 0.25d, Plstc	2	
19	130773	(APR2015-	) Tie, Cable, Nyl, 11.0l, .14w, 3.0 Max. D	9	
∇	20	1074445	(APR2015-	) Harness, Ele, Telem [T5]	1
▲		9009990	(APR2015-	) Vr, Fuse, 002a, 250vdc, Cartridge	1
	21	1070498	(APR2015-	) Cable, 4ga, Blk [6200e, Telemetry]	1
	22	1074595	(APR2015-	) Harness, Ele, Telem, Shunt	1
	23	1217818	(APR2015-	) Sleeve, Heatshrink, 1.50id, 07.0l	1
	24	1069580	(APR2015-	) Label, Mach, Telem [Fcc, Usa, 2g/3g]	1

∇ ASSEMBLY

▲ INCLUDED IN ASSEMBLY

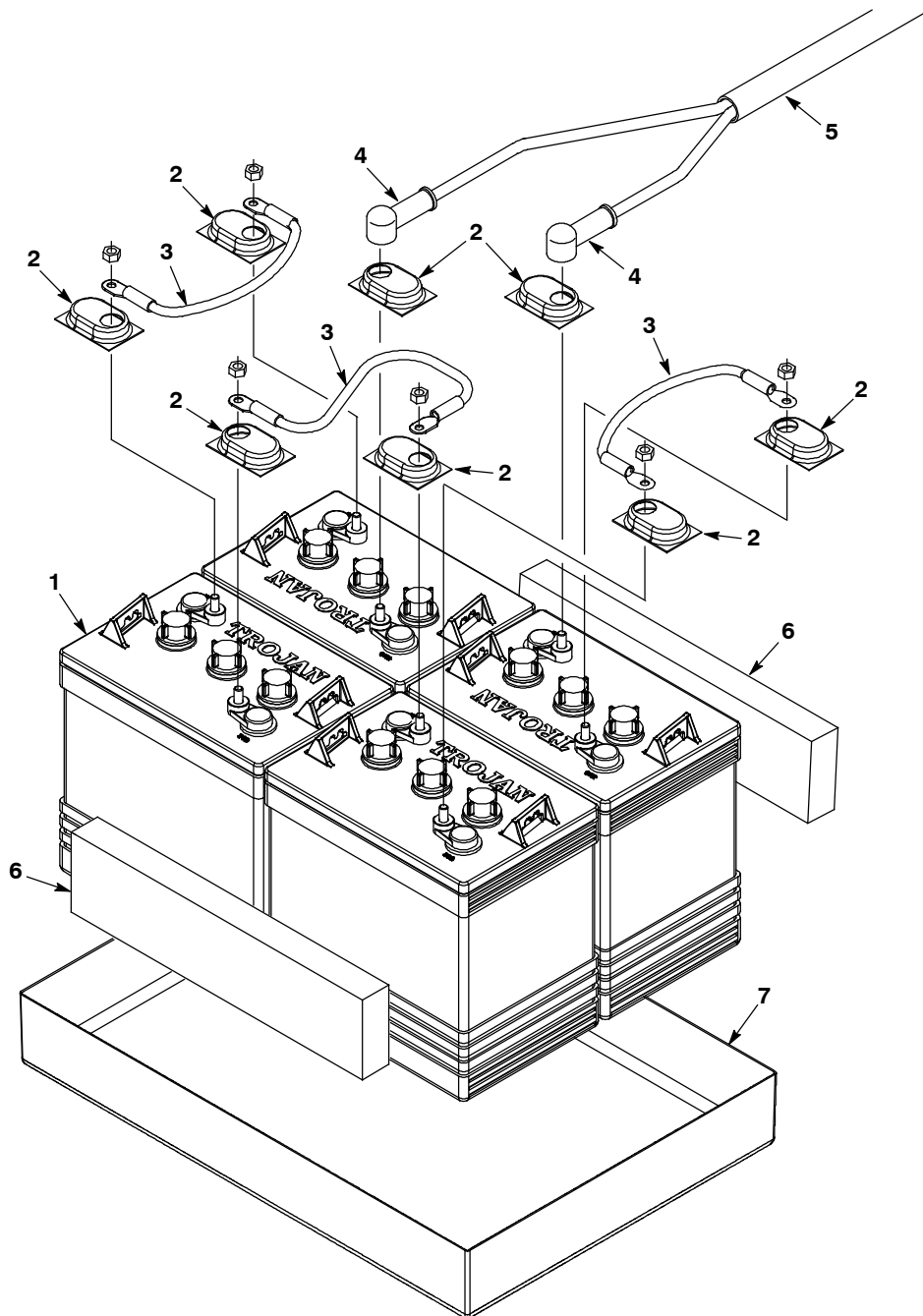
# STANDARD PARTS

## BATTERY GROUP, MAINTENANCE FREE 220 Ah



Ref.	Part No.	Serial Number	Description	Qty.
1	1074042	(00000000- )	Battery, Agm, 06vdc, 220ah (Discover)	4
2	130364	(00000000- )	Cable, 06ga 15.0l Blk .31ring /.38ring	3
3	611221	(00000000- )	Boot, Terminal, Battery, 25.4mm, Blk	8
4	1067443	(10632988- )	Harness, Battery, Fused, Us [T5]	1
4	1024479	(00000000- 10632987 )	Harness, Battery, Us	1
5	630375	(00000000- )	Spacer, Battery, 1.25 X 3.25 X 13.7 Foam	2
6	613971	(00000000- )	Tray, Battery, Trimmed	1

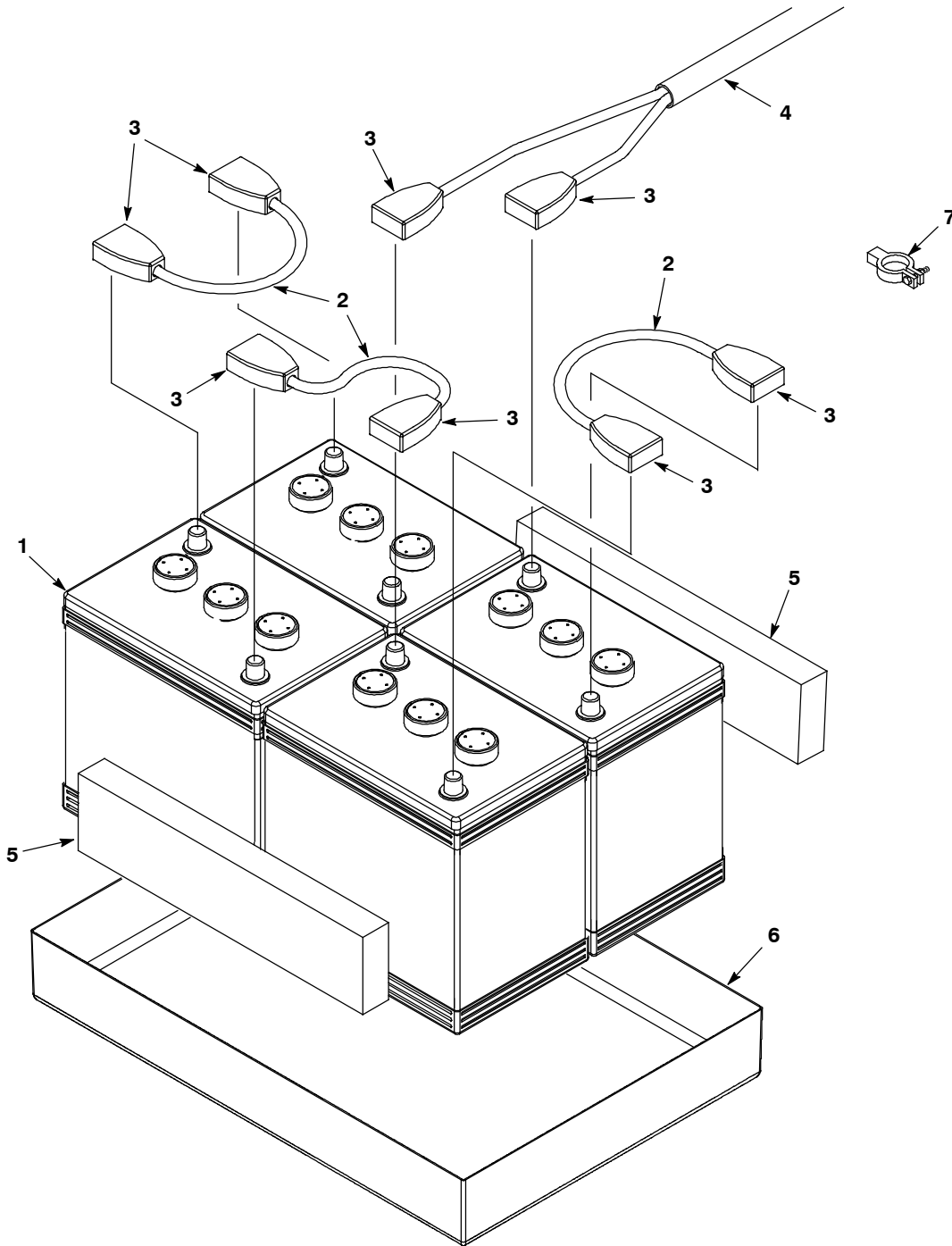
BATTERY GROUP, LEAD-ACID 235 Ah



Ref.	Part No.	Serial Number	Description	Qty.
1	222280	(00000000-	) Battery, 06vdc, 235ah, Wet	4
2	45962	(00000000-	) Cap, Plstc, .04 1.38 X 2.30 0.5l (Tall Clear - Standard)	8
2	1041030	(00000000-	) Cap, Battery (Short Black - Optional)	8
3	130364	(00000000-	) Cable, 06ga 15.0l Blk .31ring /.38ring	3
4	611221	(00000000-	) Boot, Terminal, Battery, 25.4mm, Blk	8
5	1067443	(10632988-	) Harness, Battery, Fused, Us [T5]	1
5	1024479	(00000000- 10632987	) Harness, Battery, Us	1
6	630375	(00000000-	) Spacer, Battery, 1.25 X 3.25 X 13.7 Foam	2
7	613971	(00000000-	) Tray, Battery, Trimmed	1

# STANDARD PARTS

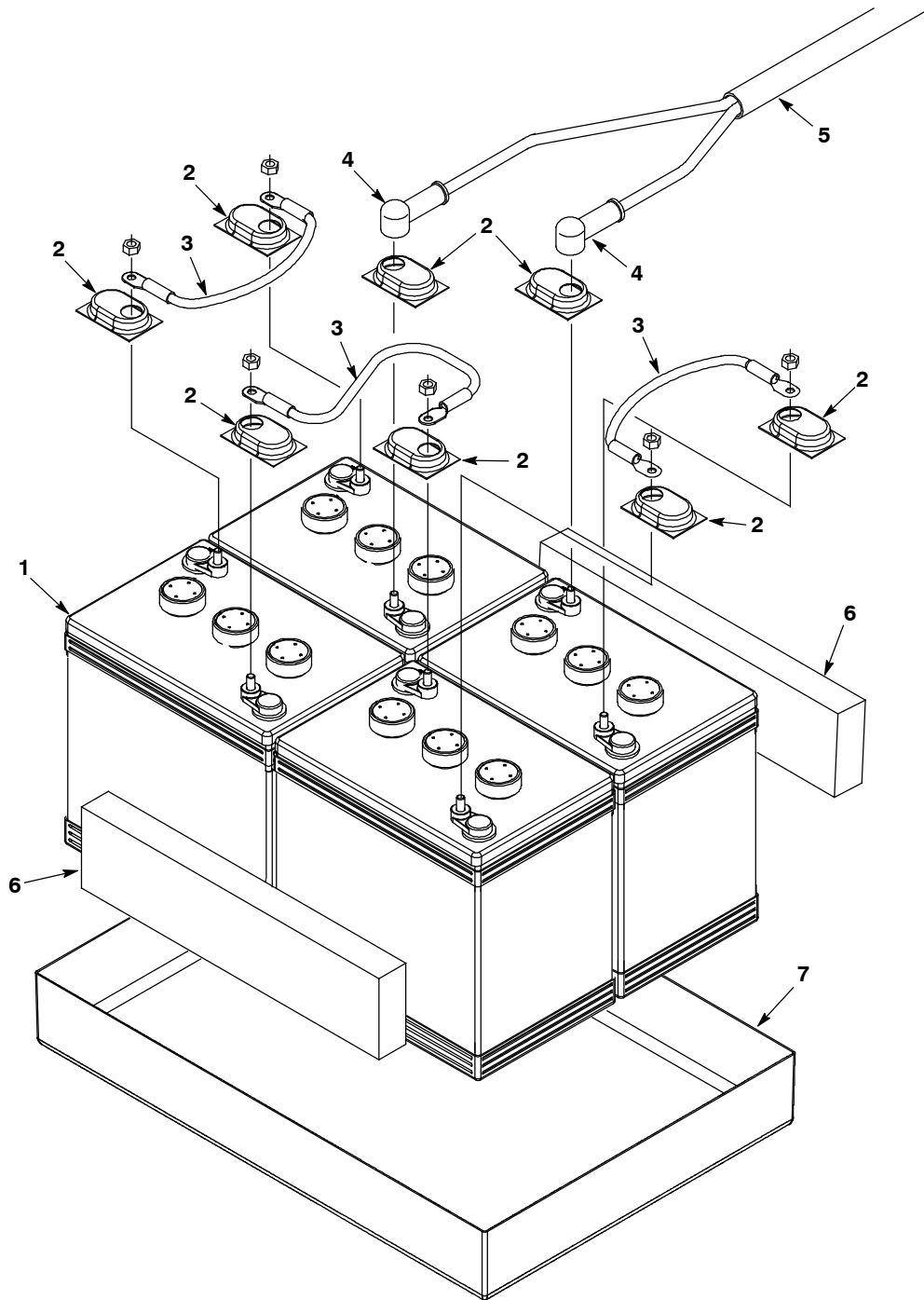
## BATTERY GROUP, MAINTENANCE FREE 160 Ah (JAPAN)



Ref.	Part No.	Serial Number	Description	Qty.
1	994202	(00000000- )	Battery, 06vdc 165ah [5h, Gf061602]	4
2	130364	(00000000- )	Cable, 06ga 15.0l Blk .31ring /.38ring	3
3	989860	(00000000- )	Cover Set, Terminal, Battery	4
4	1067443	(10632988- )	Harness, Battery, Fused, Us [T5]	1
4	1024479	(00000000- 10632987 )	Harness, Battery, Us	1
5	630375	(00000000- )	Spacer, Battery, 1.25 X 3.25 X 13.7 Foam	2
6	613971	(00000000- )	Tray, Battery, Trimmed	1
7	93580	(00000000- )	Clamp, Post, Battery, Positive	4
7	93581	(00000000- )	Clamp, Post, Battery, Negative	4



BATTERY GROUP, LEAD ACID 180 Ah (JAPAN)

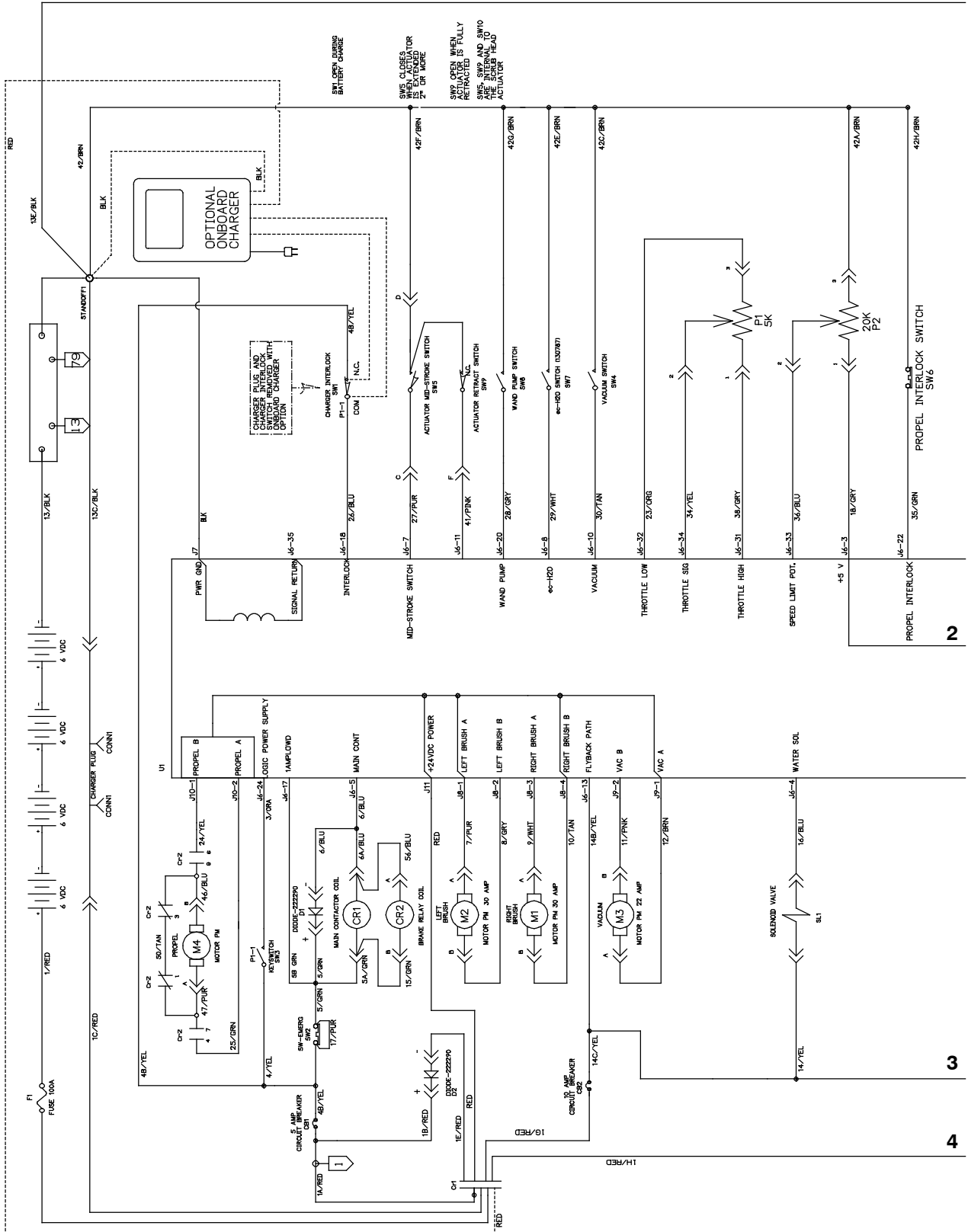


Ref.	Part No.	Serial Number	Description	Qty.
1	10155	(00000000-	) Battery, Wet, 06vdc	4
2	45962	(00000000-	) Cap, Plstc, .04 1.38 X 2.30 0.5l (Tall Clear - Standard)	8
2	1041030	(00000000-	) Cap, Battery (Short Black - Optional)	8
3	130364	(00000000-	) Cable, 06ga 15.0l Blk .31ring /.38ring	3
4	611221	(00000000-	) Boot, Terminal, Battery, 25.4mm, Blk	8
5	1067443	(10632988-	) Harness, Battery, Fused, Us [T5]	1
5	1024479	(00000000- 10632987	) Harness, Battery, Us	1
6	630375	(00000000-	) Spacer, Battery, 1.25 X 3.25 X 13.7 Foam	2
7	613971	(00000000-	) Tray, Battery, Trimmed	1

ELECTRICAL DIAGRAM, STANDARD, FaST & ec-H2O MODELS  
(S/N MFG AFTER MARCH 2015- )

1044406\_F

1



2

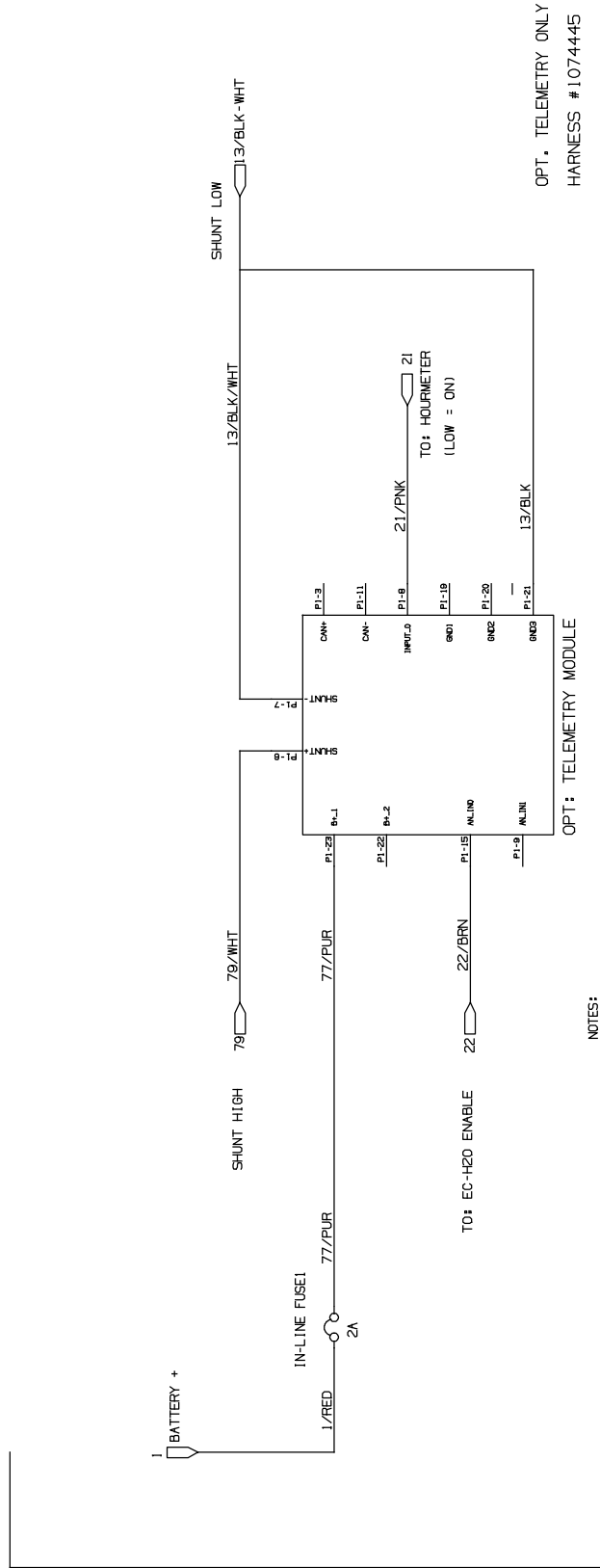
3

4



ELECTRICAL DIAGRAM, STANDARD, FaST & ec-H2O MODELS  
(S/N MFG AFTER MARCH 2015- )

1044406\_F



OPT. TELEMETRY ONLY  
HARNESS # 1074445

OPT: TELEMETRY MODULE

NOTES:  
1) WHEN THE MACHINE IS SCRUBBING, AND THE EC-H2O SYSTEM IS SELECTED OFF:  
- WIRE 21/PNK, INPUT P1-8 IS HIGH (36 VDC).  
- WIRE 22/BRN, INPUT P1-15 IS HIGH (36 VDC).

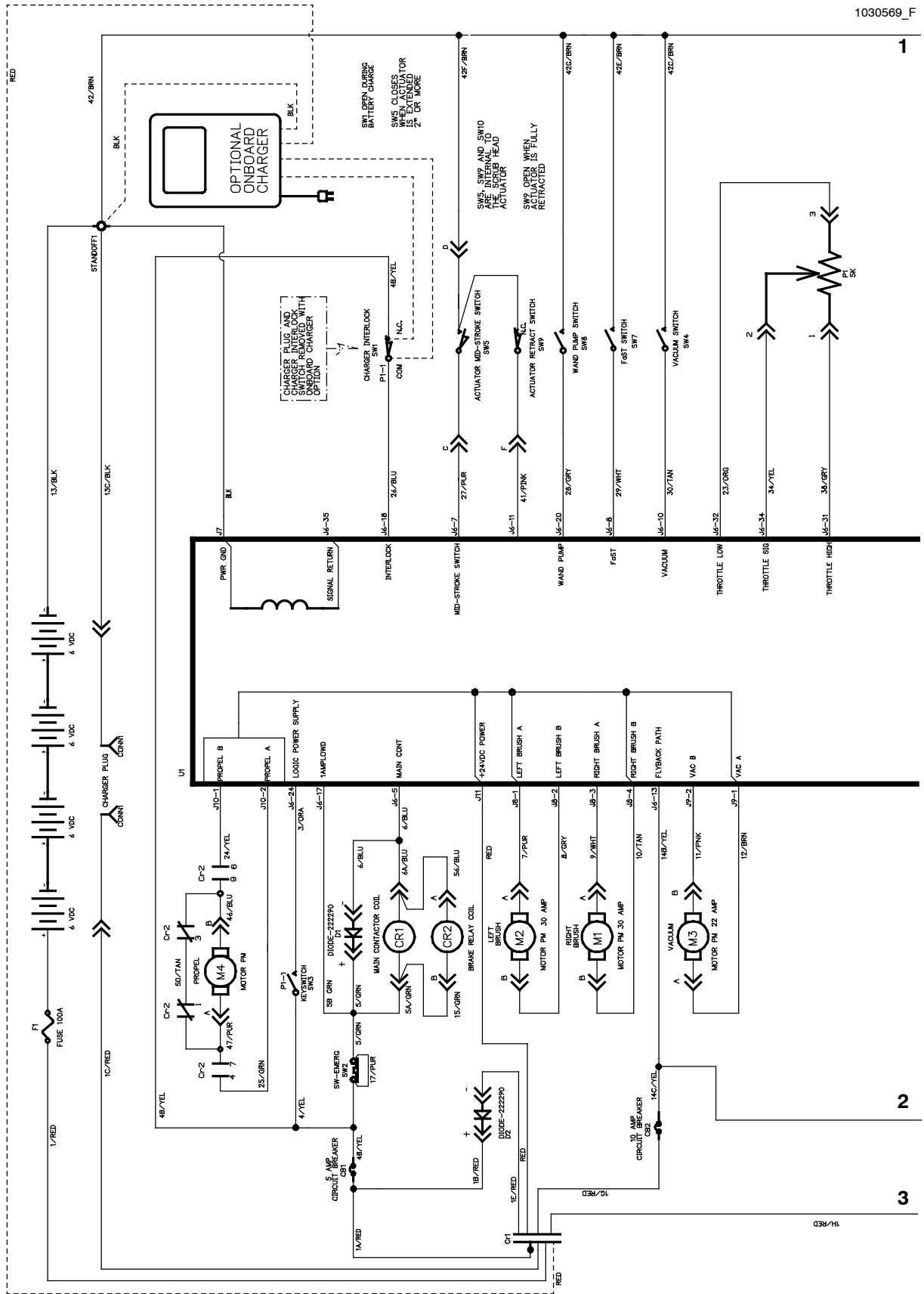
2) WHEN THE MACHINE IS SCRUBBING, AND THE EC-H2O/FAST SYSTEM IS SELECTED ON:  
- WIRE 21/PNK, INPUT P1-8 IS LOW (0 VDC).  
- WIRE 22/BRN, INPUT P1-15 IS LOW (0 VDC).

OPTIONAL :  
TELEMETRY ONLY



ELECTRICAL DIAGRAM, STANDARD & FaST MODEL  
(S/N 10632988- MFG BEFORE APRIL 2015)

1030569\_F



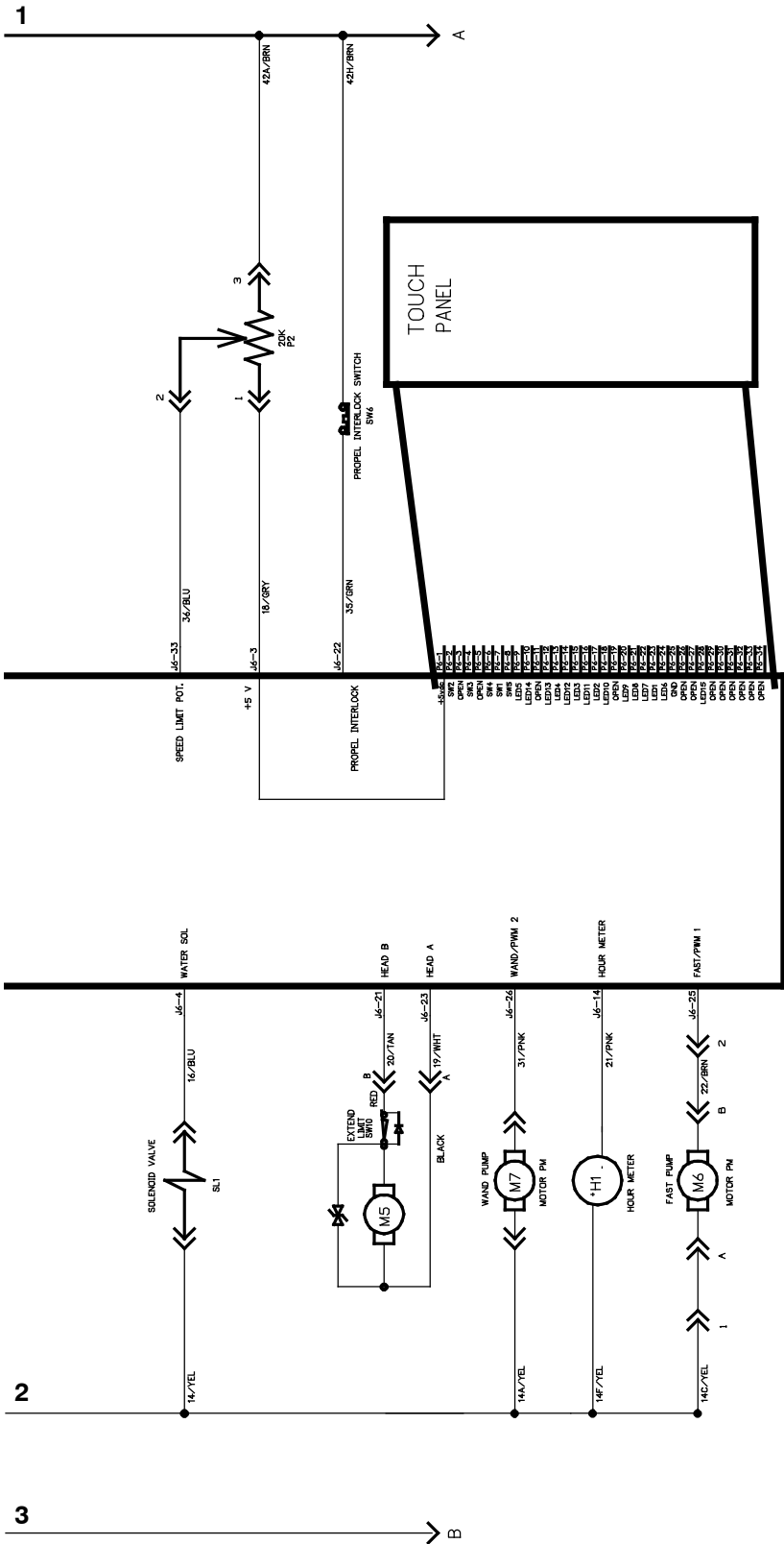
1

2

3

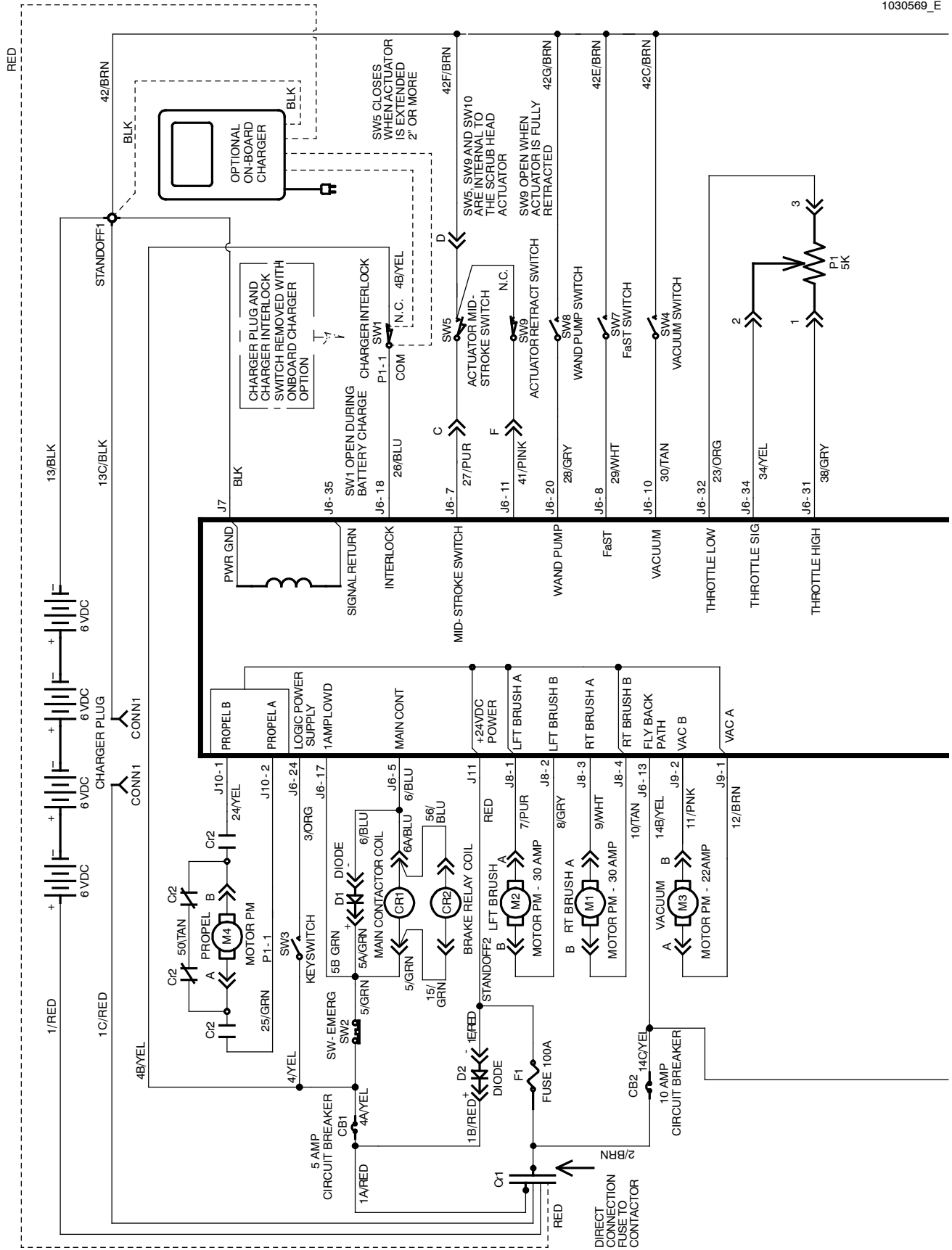
ELECTRICAL DIAGRAM, STANDARD & FaST MODEL  
(S/N 10632988- MFG BEFORE APRIL 2015)

1030569\_F



ELECTRICAL DIAGRAM, STANDARD & FaST MODEL (S/N 0000000- 10632987)

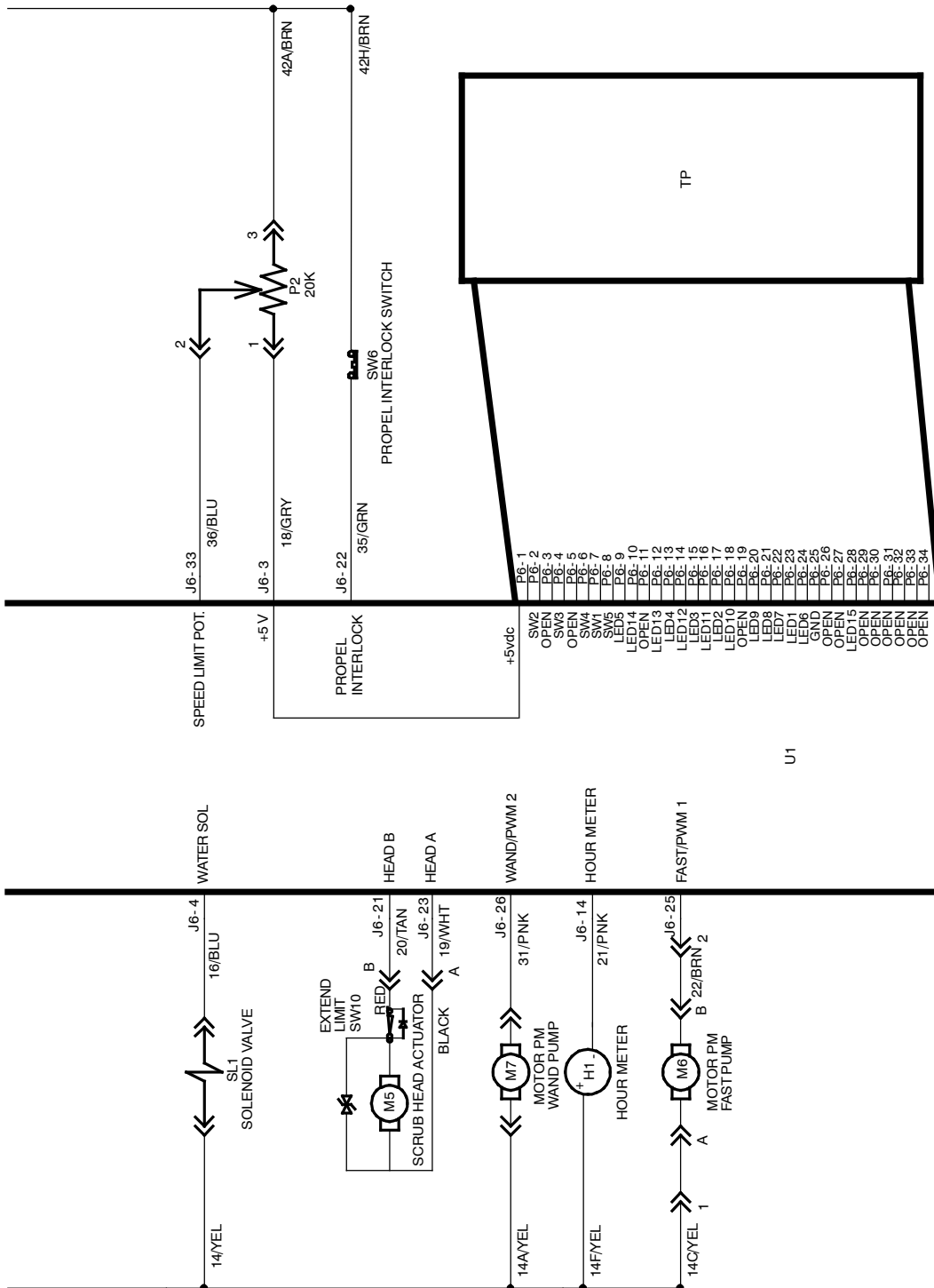
1030569\_E





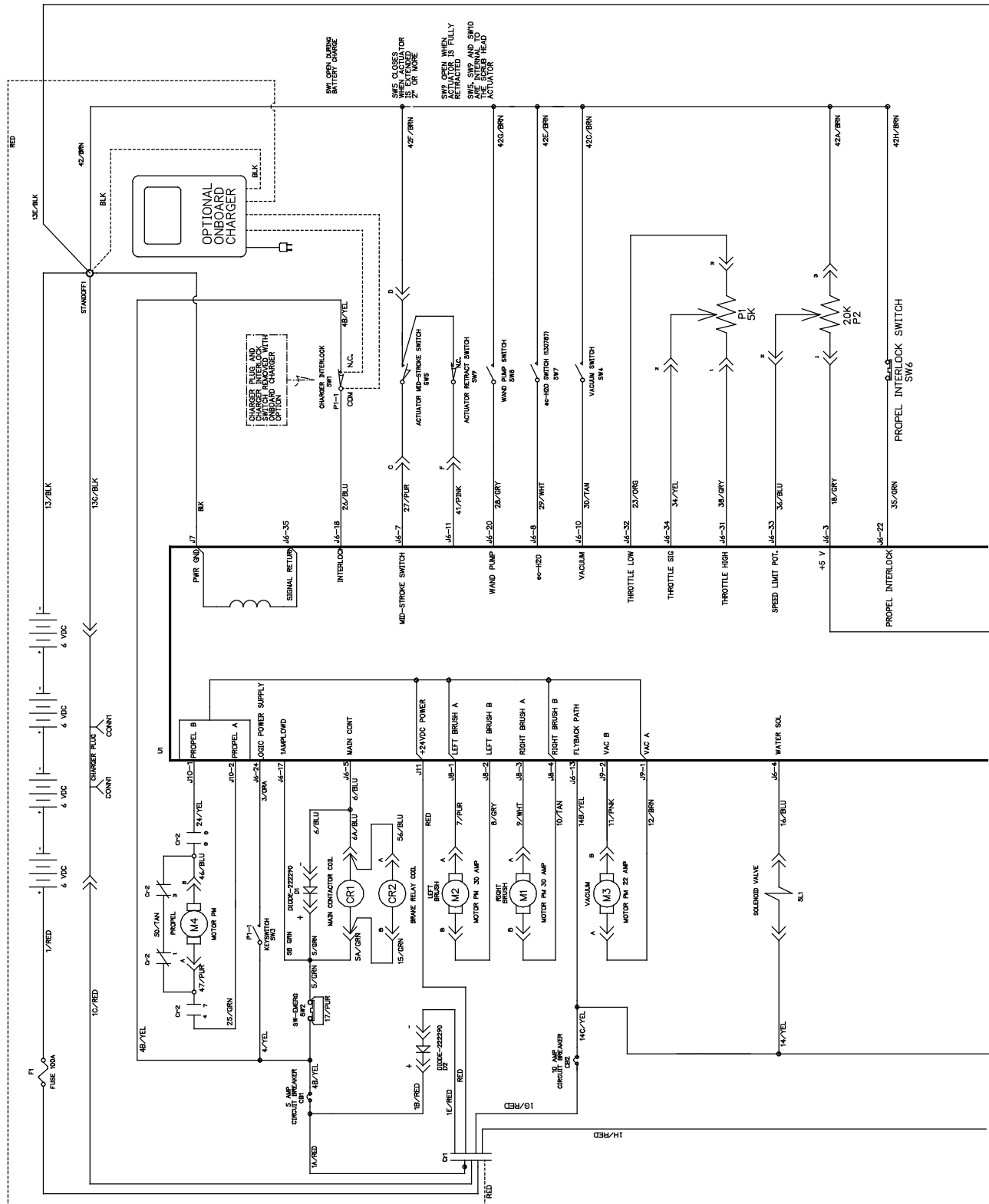
ELECTRICAL DIAGRAM, STANDARD & FaST MODEL (S/N 0000000- 10632987)

1030569\_E



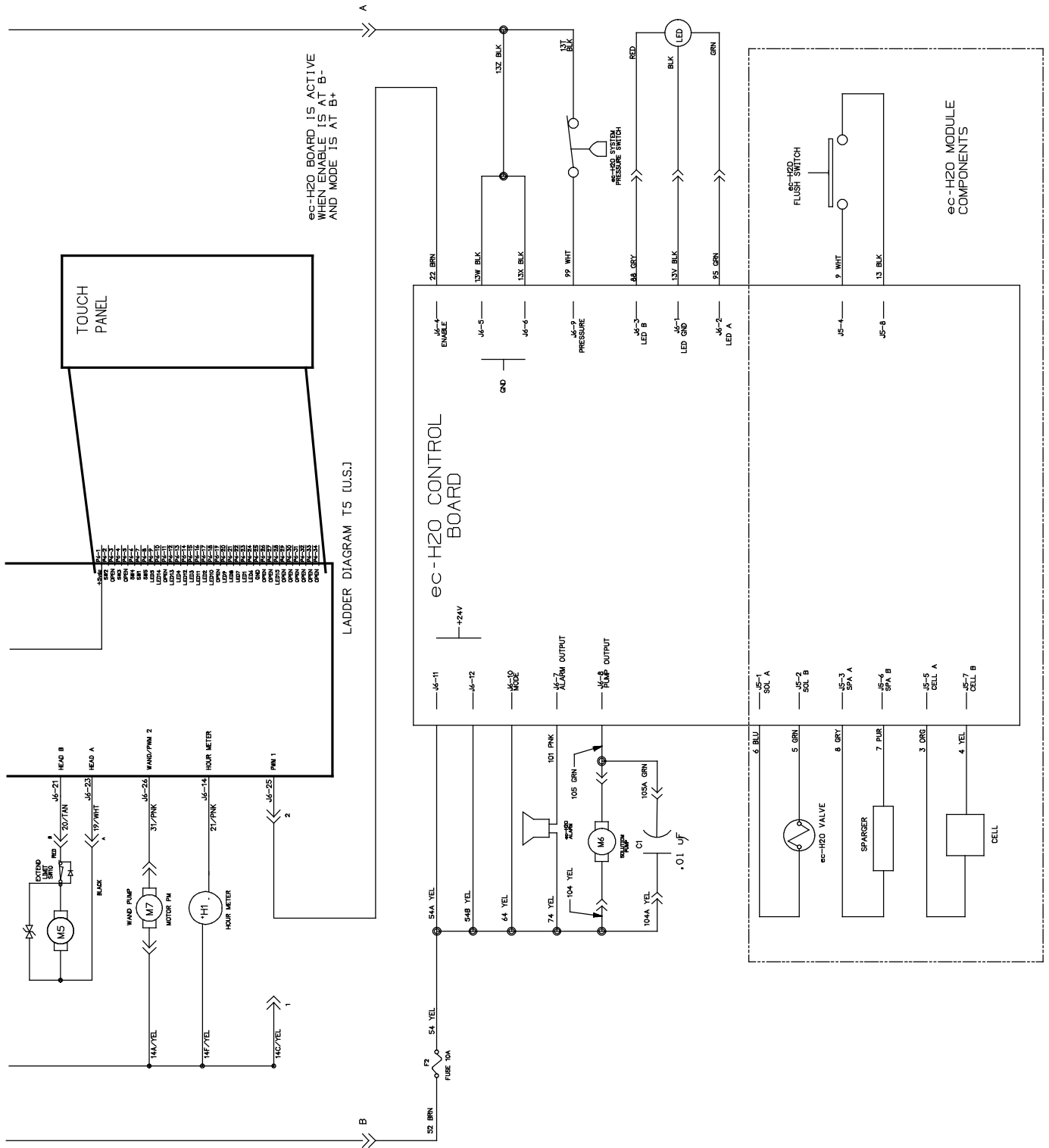
ELECTRICAL DIAGRAM, *ec-H2O* MODEL (S/N 10632988- MFG BEFORE APRIL 2015)

1044406\_D



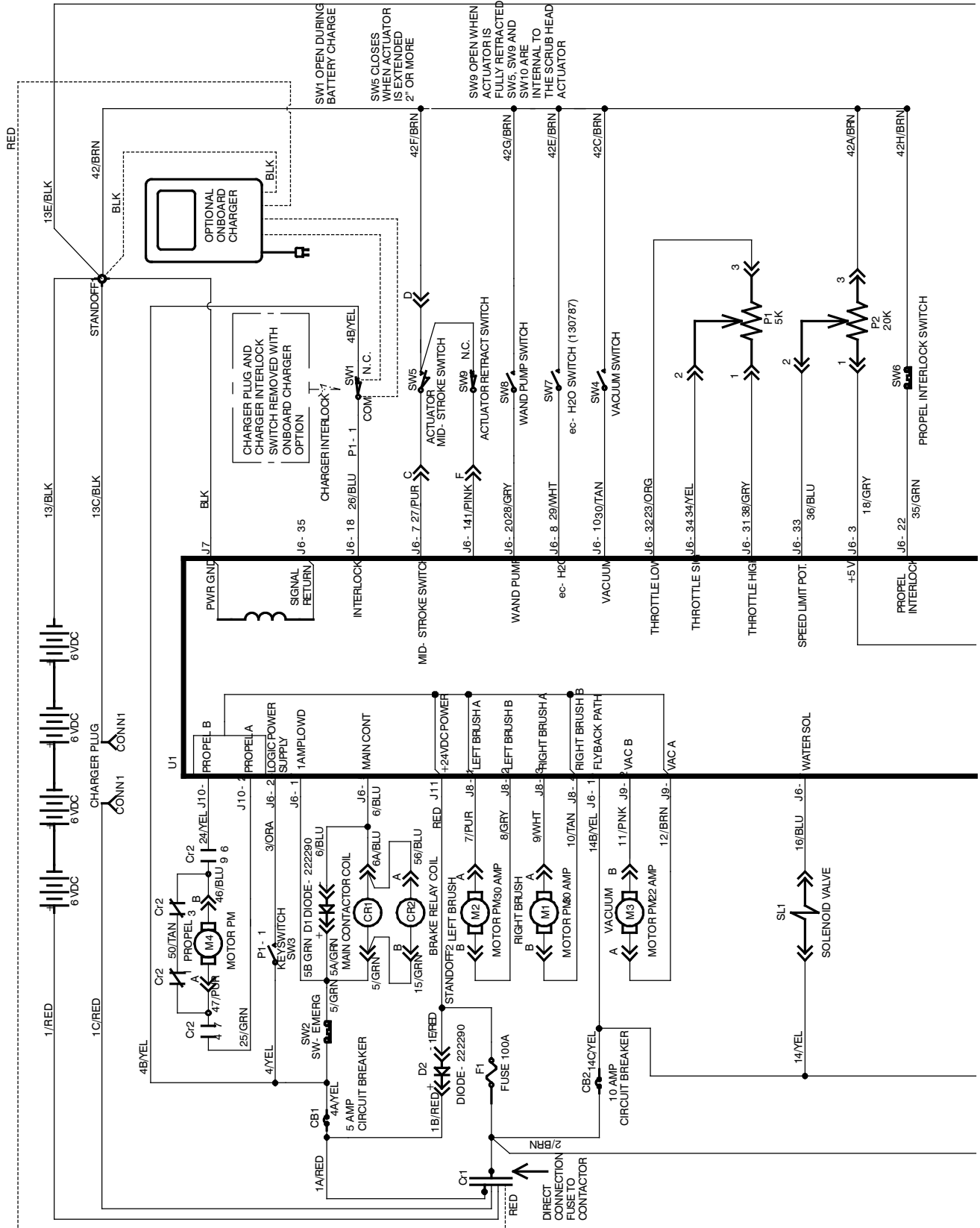
ELECTRICAL DIAGRAM, *ec-H2O* MODEL (S/N 10632988- MFG BEFORE APRIL 2015)

1044406\_D



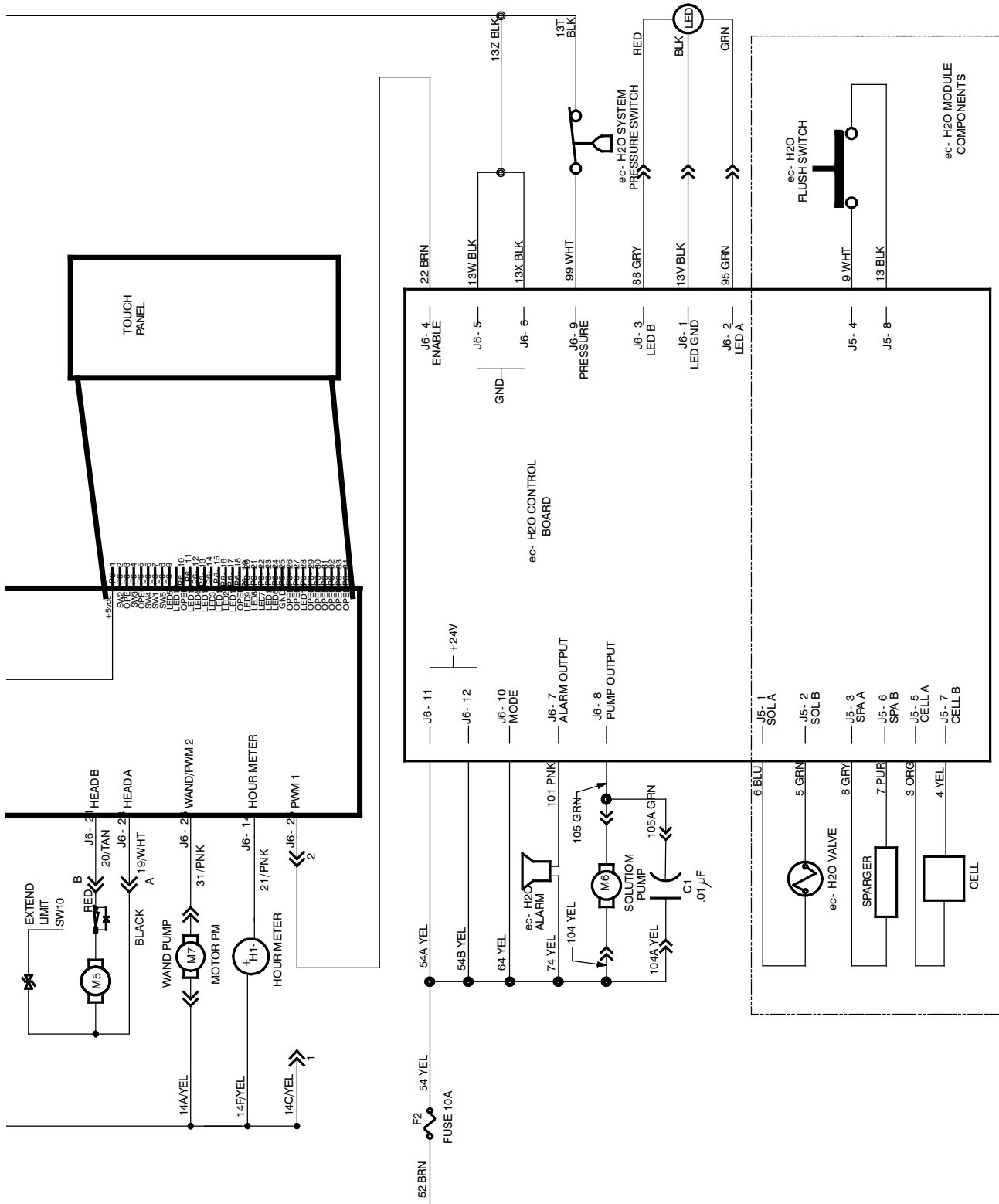
ELECTRICAL DIAGRAM, *ec-H2O* MODEL (S/N 0000000- 10632987)

1044406\_C



ELECTRICAL DIAGRAM, *ec-H2O* MODEL (S/N 0000000-10632987)

1044406\_C



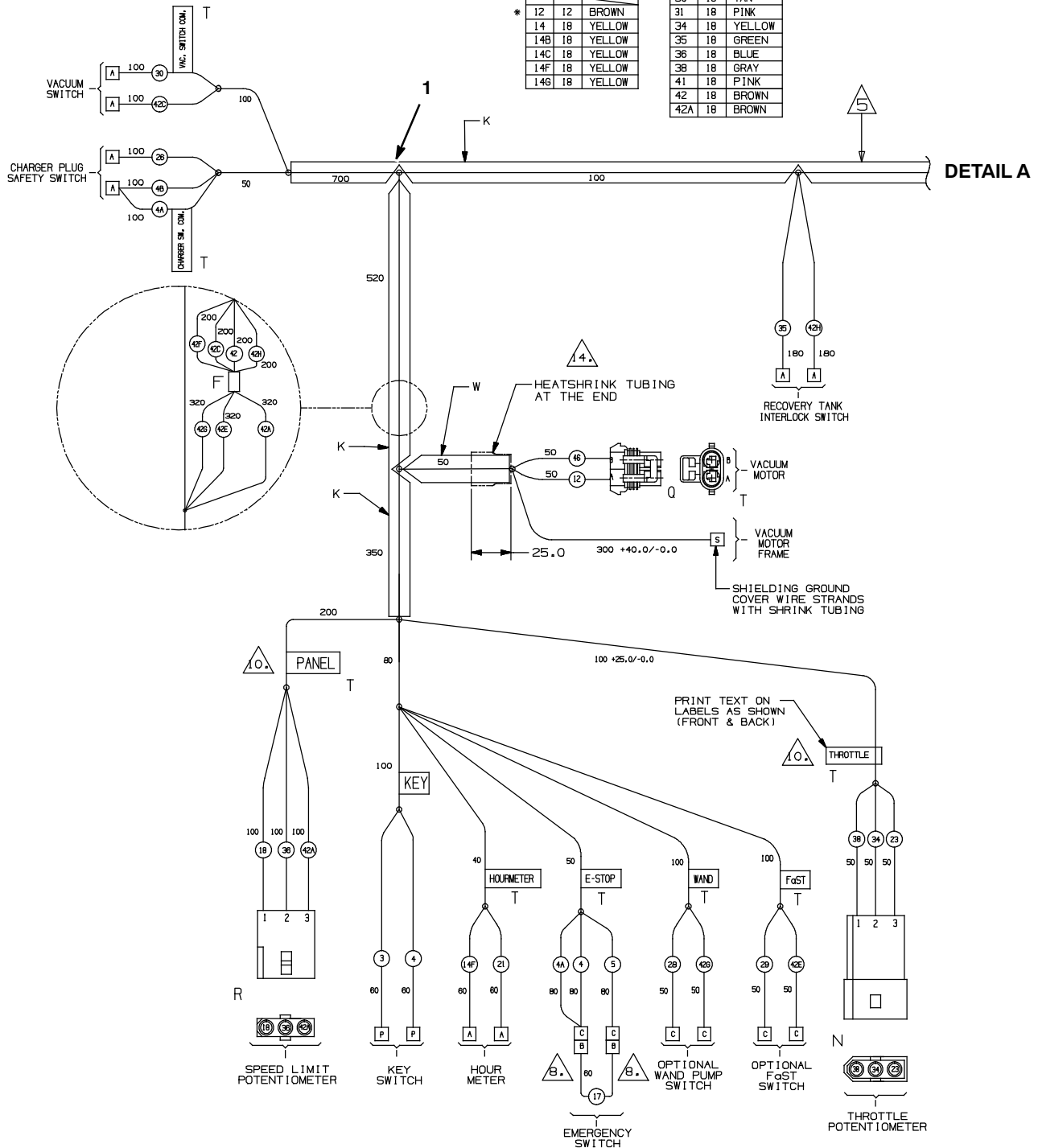
## WIRE HARNESS GROUP, MAIN (S/N 10632988- )

WIRE No:	AWG	COLOR
1A	18	RED
1B	18	RED
1E	18	RED
2	18	BROWN
3	18	ORANGE
4	18	YELLOW
4A	18	YELLOW
4B	18	YELLOW
5	18	GREEN
5A	18	GREEN
5B	18	GREEN
6	18	BLUE
6A	18	BLUE
* 12	12	BROWN
14	18	YELLOW
14B	18	YELLOW
14C	18	YELLOW
14F	18	YELLOW
14G	18	YELLOW

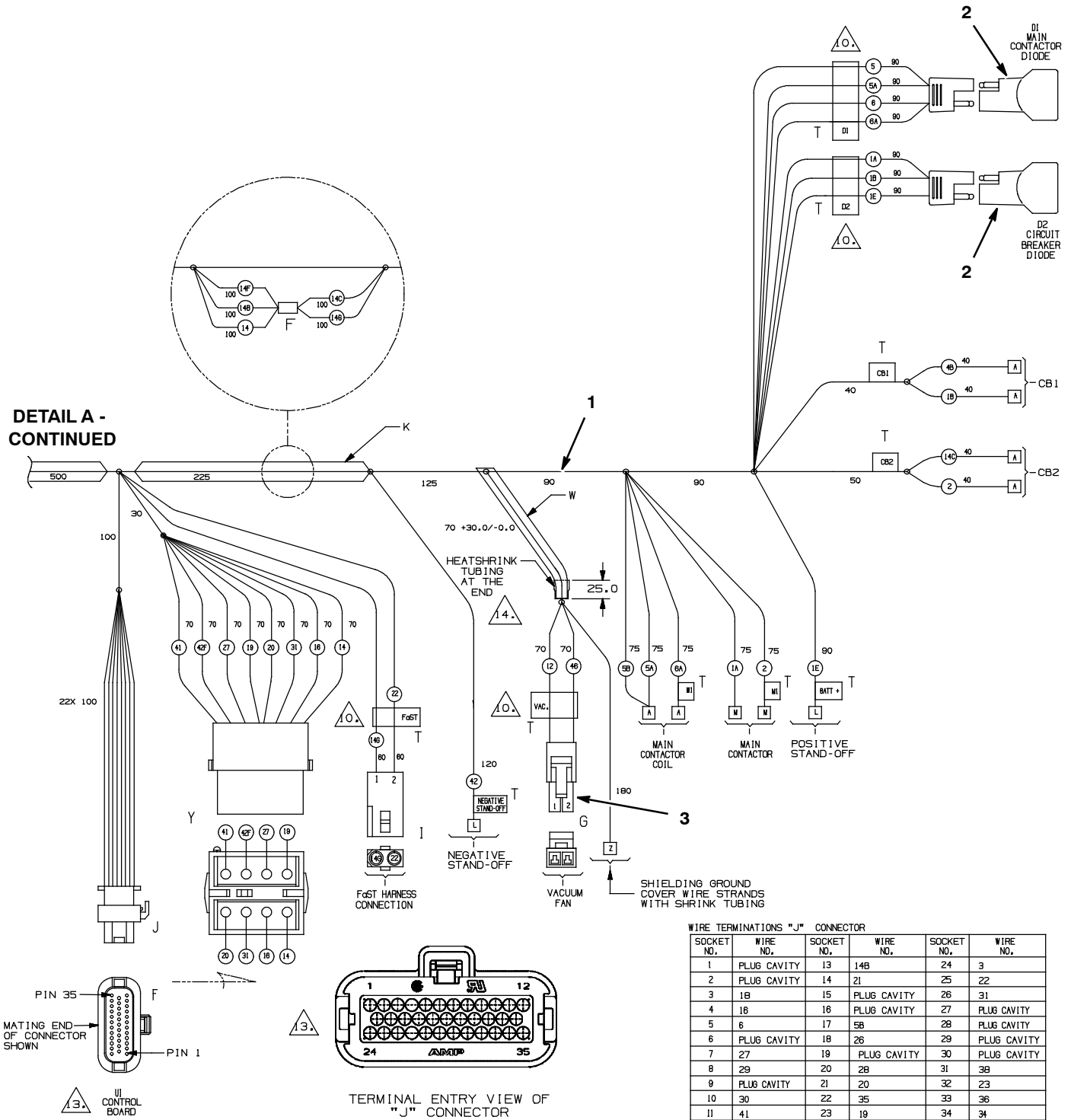
WIRE No:	AWG	COLOR
16	18	BLUE
17	18	PURPLE
18	18	GREY
19	18	WHITE
20	18	TAN
21	18	PINK
22	18	BROWN
23	18	ORANGE
26	18	BLUE
27	18	PURPLE
28	18	GREY
29	18	WHITE
30	18	TAN
31	18	PINK
34	18	YELLOW
35	18	GREEN
36	18	BLUE
38	18	GRAY
41	18	PINK
42	18	BROWN
42A	18	BROWN

WIRE No:	AWG	COLOR
42C	18	BROWN
42E	18	BROWN
42F	18	BROWN
42G	18	BROWN
42H	18	BROWN
* 46	12	BLUE

\* WIRE #46 AND #12 ARE SHIELDED CABLE.



WIRE HARNESS GROUP, MAIN (S/N 10632988- ) - CONT'D



WIRE TERMINATIONS "J" CONNECTOR

SOCKET NO.	WIRE NO.	SOCKET NO.	WIRE NO.	SOCKET NO.	WIRE NO.
1	PLUG CAVITY	13	14B	24	3
2	PLUG CAVITY	14	21	25	22
3	18	15	PLUG CAVITY	26	31
4	18	16	PLUG CAVITY	27	PLUG CAVITY
5	6	17	5B	28	PLUG CAVITY
6	PLUG CAVITY	18	26	29	PLUG CAVITY
7	27	19	PLUG CAVITY	30	PLUG CAVITY
8	29	20	28	31	38
9	PLUG CAVITY	21	20	32	23
10	30	22	35	33	36
11	41	23	19	34	34
12	PLUG CAVITY			35	CAVITY PLUG

Ref.	Part No.	Serial Number	Description	Qty.
1	1066855	(10632988-	) Harness, Main [T5, Na] (NA/JP)	1
2	222290	(00000000-	) Diode, Ele, Plug	2
3	1013835	(00000000-	) Connector Body, Fem, 2 Recept.[Molex]	1

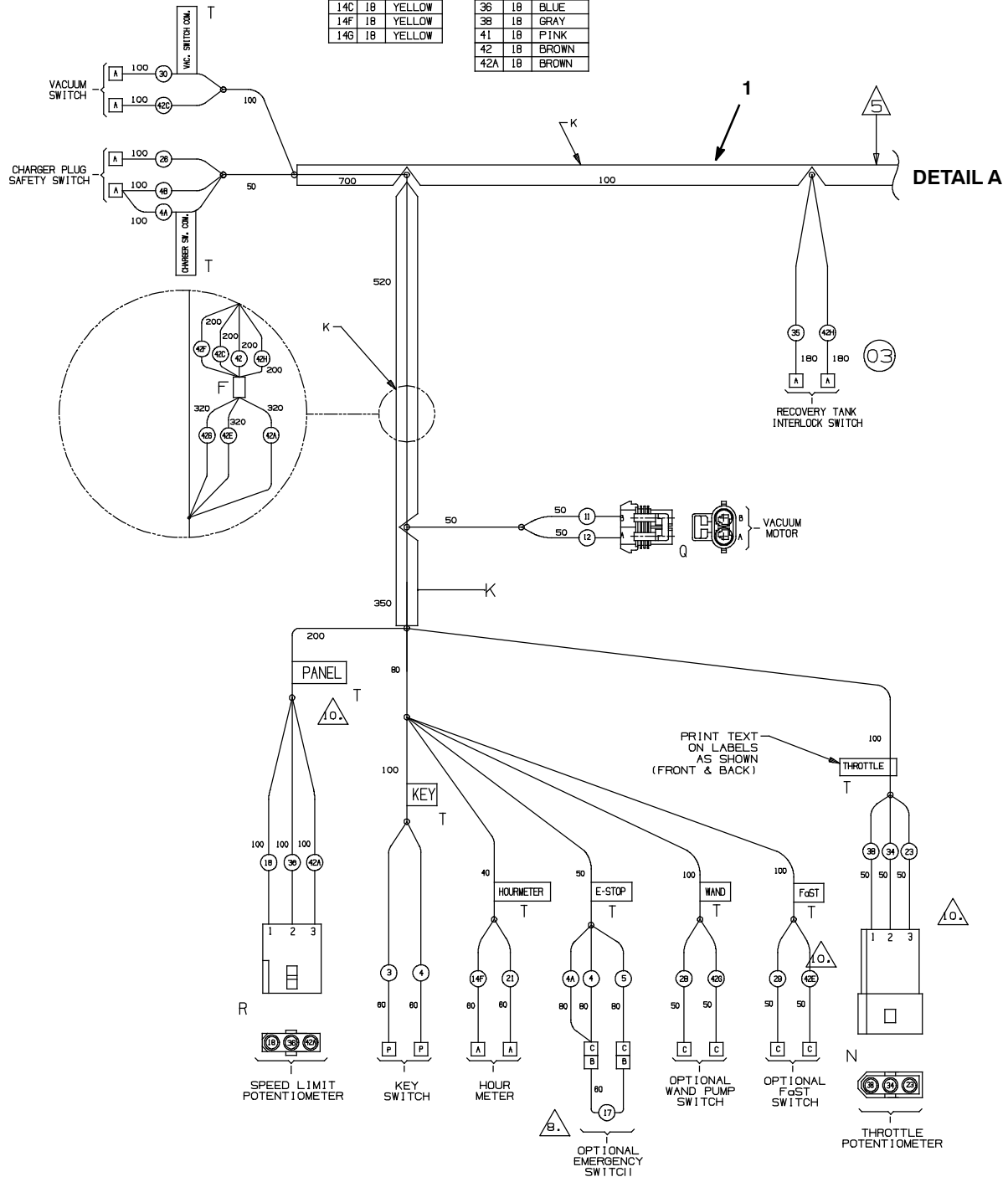
WIRE HARNESS GROUP, MAIN (S/N 0000000-10632987)

355121

WIRE No1	AWG	COLOR
1A	18	RED
1B	18	RED
1E	18	RED
2	18	BROWN
3	18	ORANGE
4	18	YELLOW
4A	18	YELLOW
4B	18	YELLOW
5	18	GREEN
5A	18	GREEN
5B	18	GREEN
6	18	BLUE
6A	18	BLUE
11	12	PINK
12	12	BROWN
14	18	YELLOW
14B	18	YELLOW
14C	18	YELLOW
14F	18	YELLOW
14G	18	YELLOW

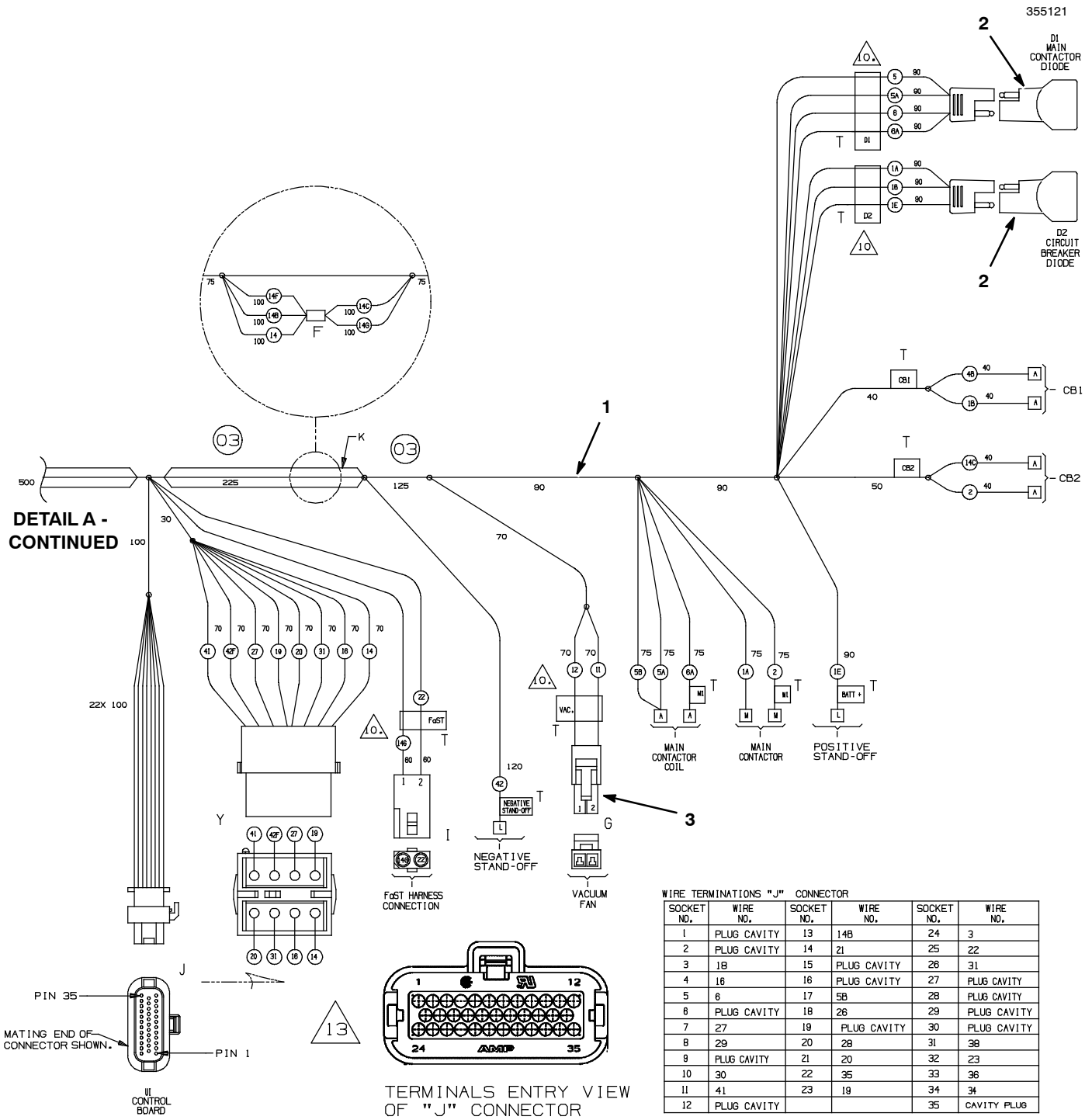
WIRE No1	AWG	COLOR
16	18	BLUE
17	18	PURPLE
18	18	GREY
19	18	WHITE
20	18	TAN
21	18	PINK
22	18	BROWN
23	18	ORANGE
26	18	BLUE
27	18	PURPLE
28	18	GREY
29	18	WHITE
30	18	TAN
31	18	PINK
34	18	YELLOW
35	18	GREEN
36	18	BLUE
38	18	GRAY
41	18	PINK
42	18	BROWN
42A	18	BROWN

WIRE No1	AWG	COLOR
42C	18	BROWN
42E	18	BROWN
42F	18	BROWN
42G	18	BROWN
42H	18	BROWN





WIRE HARNESS GROUP, MAIN (S/N 0000000- 10632987) - CONT'D



Ref.	Part No.	Serial Number	Description	Qty.
1	1020488	(00000000- 10632987 )	Harness, Main [T5] (NA/JP)	1
2	222290	(00000000-	Diode, Ele, Plug	2
3	1013835	(00000000-	Connector Body, Fem, 2 Recept.[Molex]	1

## WIRE HARNESS GROUP, MAIN AUSTRALIA (S/N 10632988-

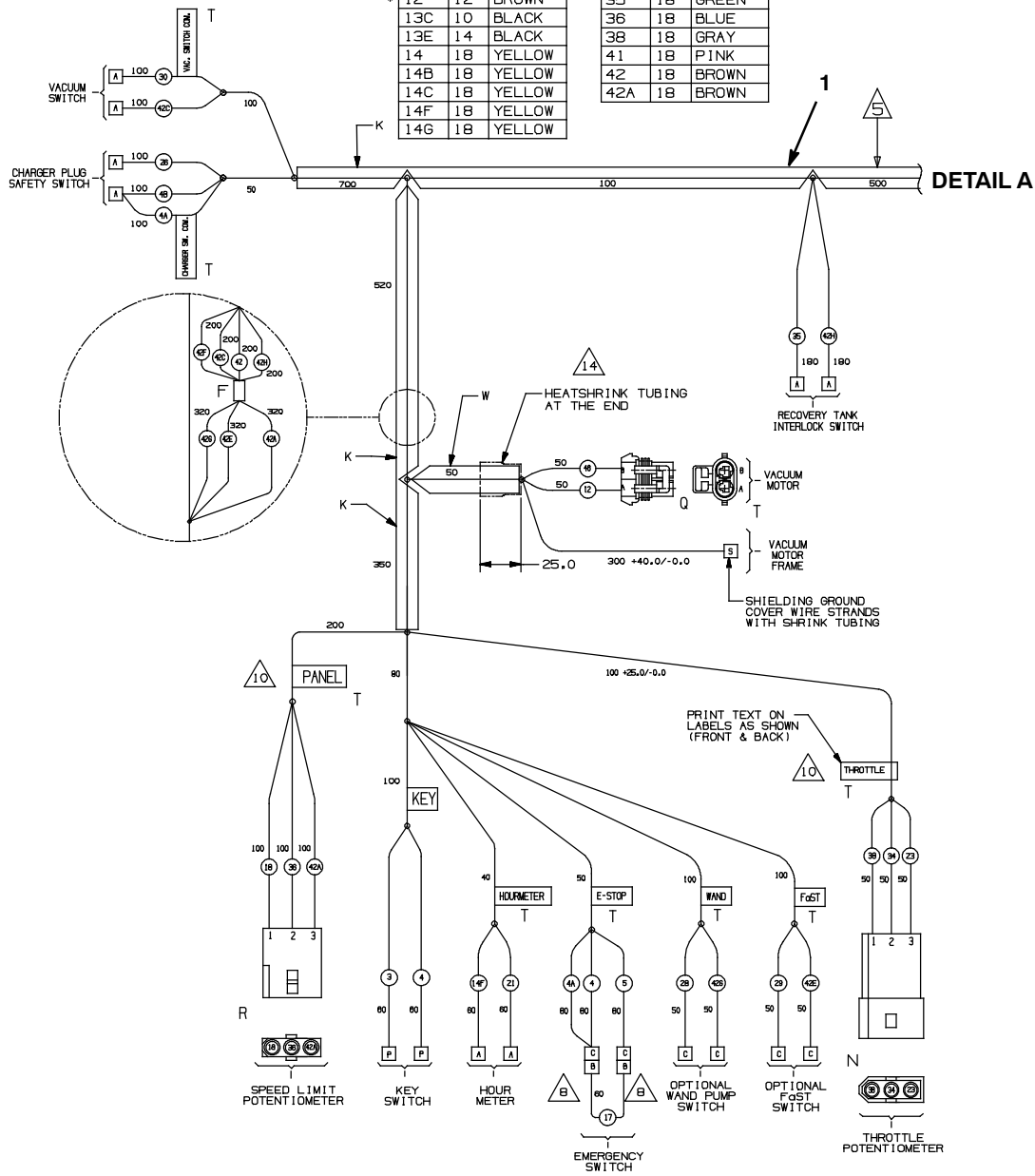
)

WIRE NO:	AWG	COLOR
1A	18	RED
1B	18	RED
1C	10	RED
1E	18	RED
1G	16	RED
1H	14	RED
3	18	ORANGE
4	18	YELLOW
4A	18	YELLOW
4B	18	YELLOW
5	18	GREEN
5A	18	GREEN
5B	18	GREEN
6	18	BLUE
6A	18	BLUE
* 12	12	BROWN
13C	10	BLACK
13E	14	BLACK
14	18	YELLOW
14B	18	YELLOW
14C	18	YELLOW
14F	18	YELLOW
14G	18	YELLOW

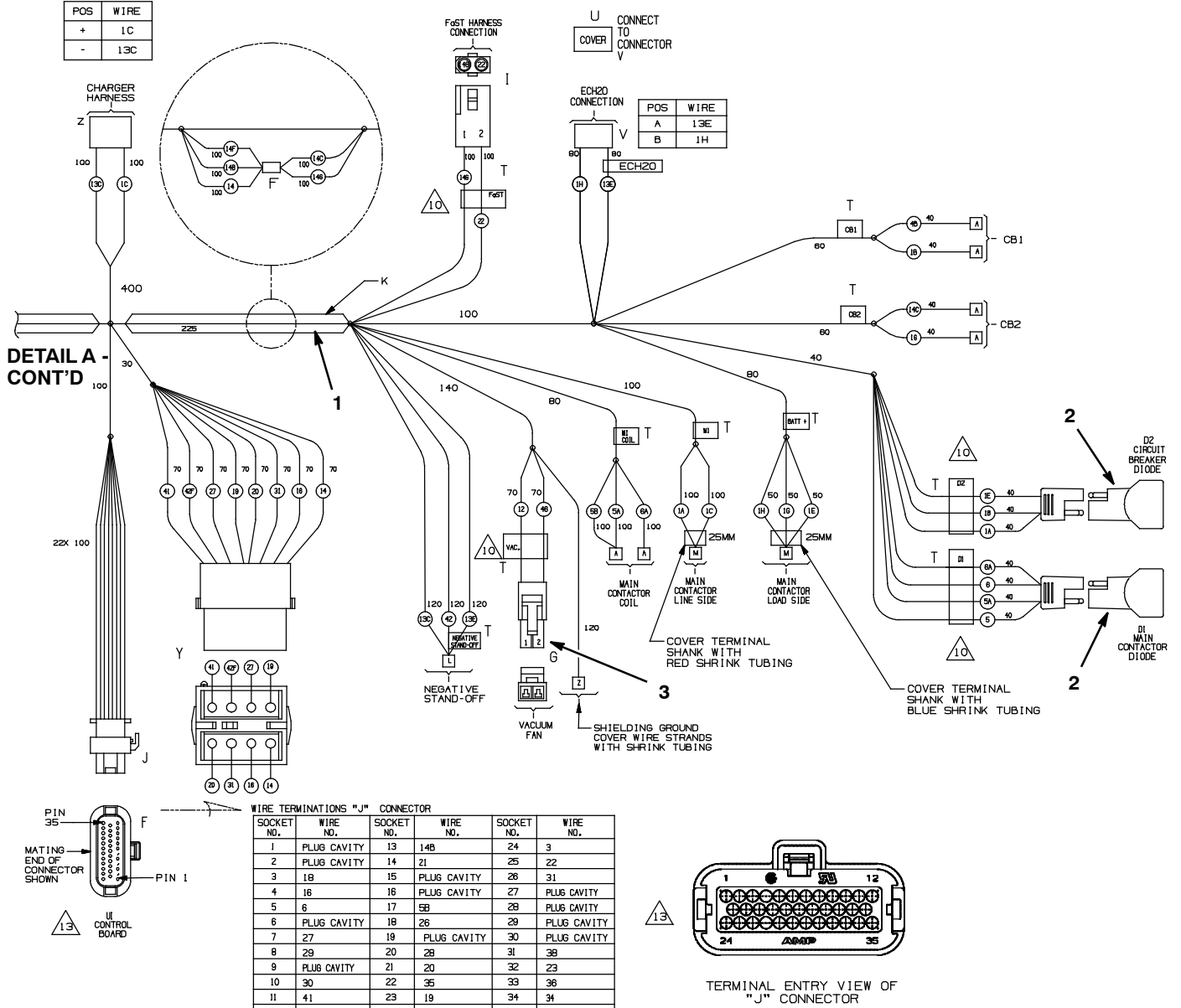
WIRE NO:	AWG	COLOR
16	18	BLUE
17	18	PURPLE
18	18	GREY
19	18	WHITE
20	18	TAN
21	18	PINK
22	18	BROWN
23	18	ORANGE
26	18	BLUE
27	18	PURPLE
28	18	GREY
29	18	WHITE
30	18	TAN
31	18	PINK
34	18	YELLOW
35	18	GREEN
36	18	BLUE
38	18	GRAY
41	18	PINK
42	18	BROWN
42A	18	BROWN

WIRE NO:	AWG	COLOR
42C	18	BROWN
42E	18	BROWN
42F	18	BROWN
42G	18	BROWN
42H	18	BROWN
* 46	12	BLUE

\* WIRE #12 AND #46 ARE SHIELDED CABLE: OLFLEX CLASSIC 100SY #0016101



WIRE HARNESS GROUP, MAIN AUSTRALIA (S/N 10632988- ) - CONT'D



Ref.	Part No.	Serial Number	Description	Qty.
1	1067933	(10632988-	) Harness, Main [T5, Aus]	1
2	222290	(00000000-	) Diode, Ele, Plug	2
3	1013835	(00000000-	) Connector Body, Fem, 2 Recept.[Molex]	1

# STANDARD PARTS

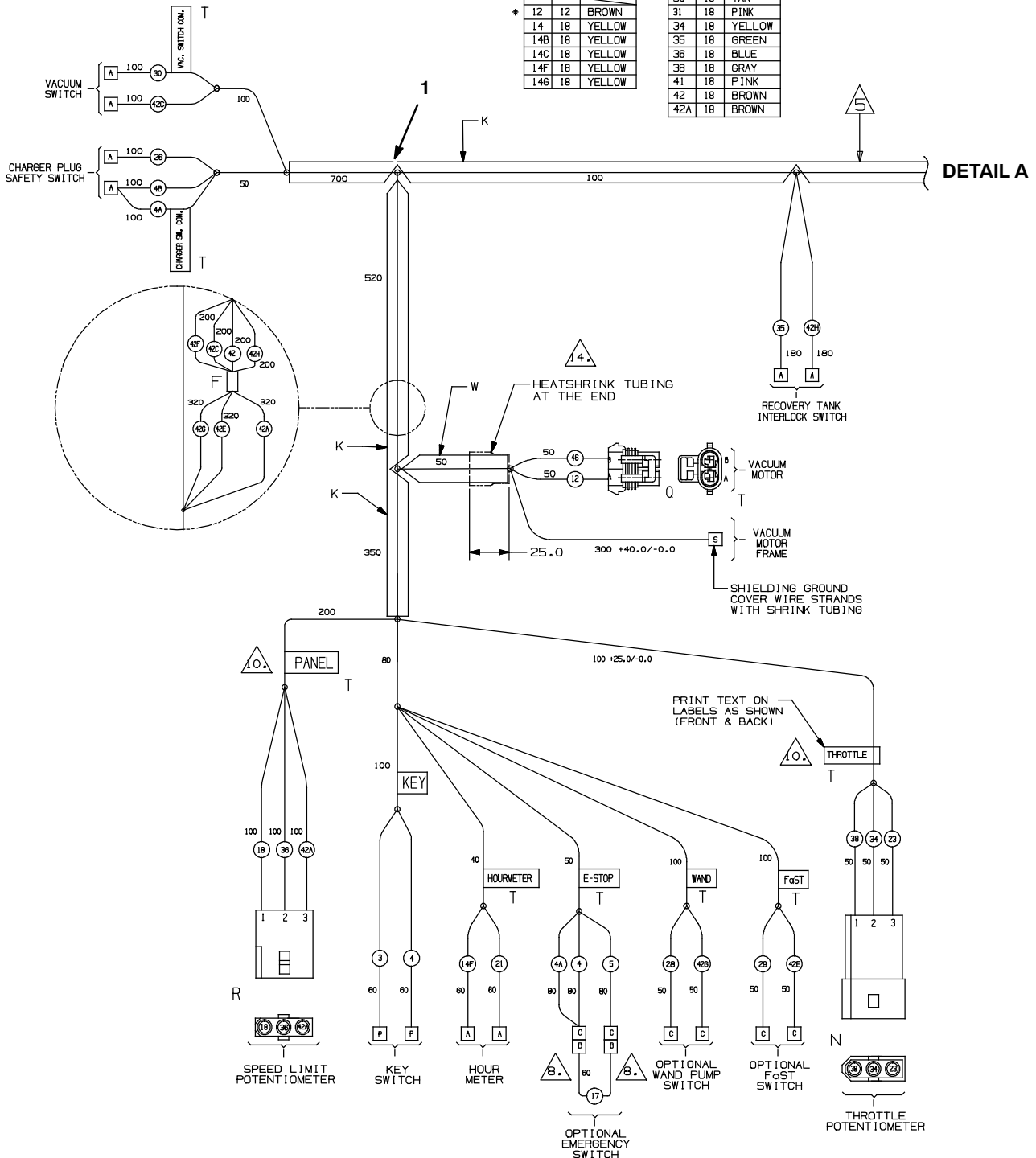
## WIRE HARNESS GROUP, MAIN AUSTRALIA (S/N 0000000-10632987)

WIRE No:	AWG	COLOR
1A	18	RED
1B	18	RED
1E	18	RED
2	18	BROWN
3	18	ORANGE
4	18	YELLOW
4A	18	YELLOW
4B	18	YELLOW
5	18	GREEN
5A	18	GREEN
5B	18	GREEN
6	18	BLUE
6A	18	BLUE
* 12	12	BROWN
14	18	YELLOW
14B	18	YELLOW
14C	18	YELLOW
14F	18	YELLOW
14G	18	YELLOW

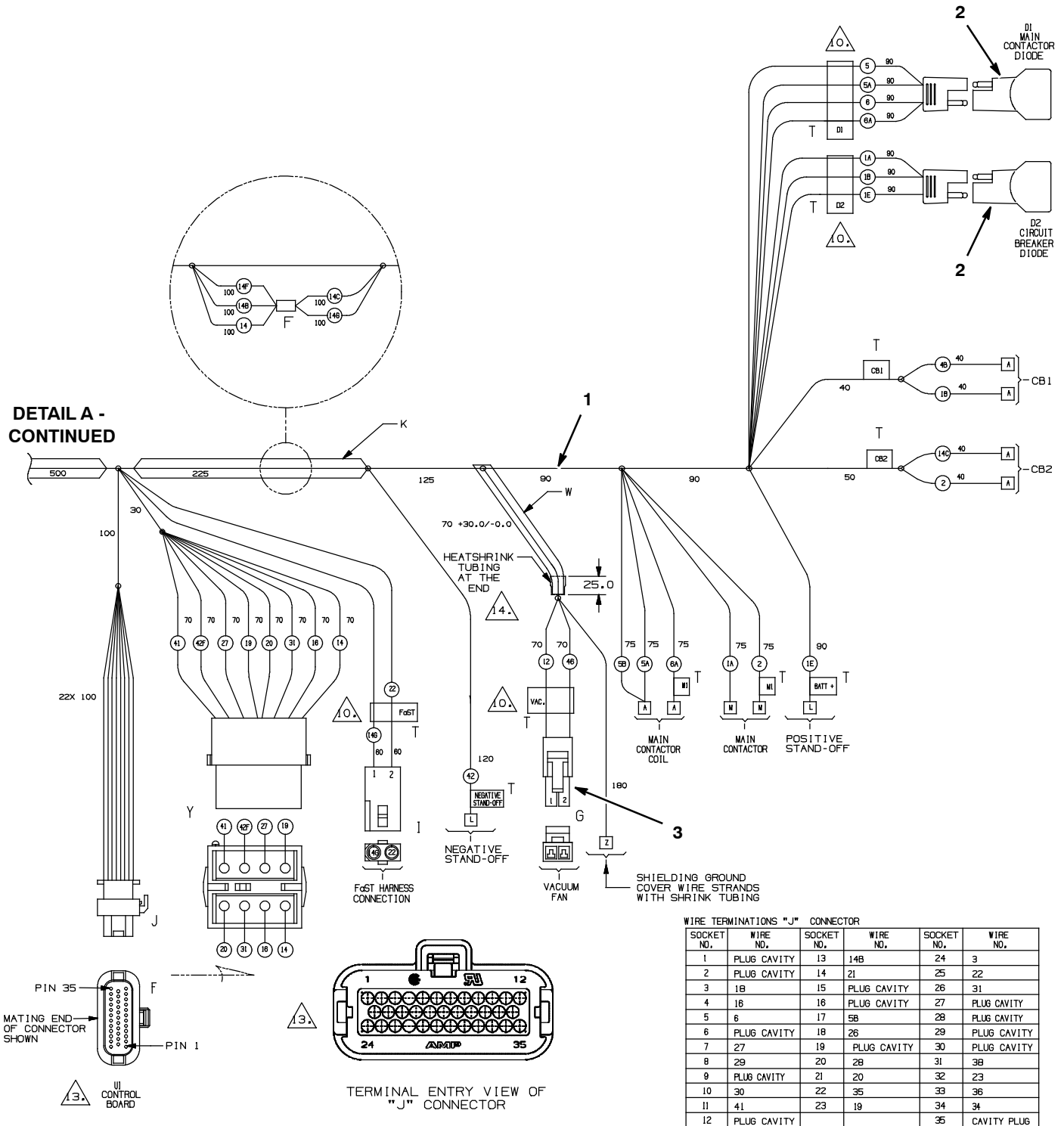
WIRE No:	AWG	COLOR
16	18	BLUE
17	18	PURPLE
18	18	GREY
19	18	WHITE
20	18	TAN
21	18	PINK
22	18	BROWN
23	18	ORANGE
26	18	BLUE
27	18	PURPLE
28	18	GREY
29	18	WHITE
30	18	TAN
31	18	PINK
34	18	YELLOW
35	18	GREEN
36	18	BLUE
38	18	GRAY
41	18	PINK
42	18	BROWN
42A	18	BROWN

WIRE No:	AWG	COLOR
42C	18	BROWN
42E	18	BROWN
42F	18	BROWN
42G	18	BROWN
42H	18	BROWN
* 46	12	BLUE

\* WIRE #46 AND #12 ARE SHIELDED CABLE.



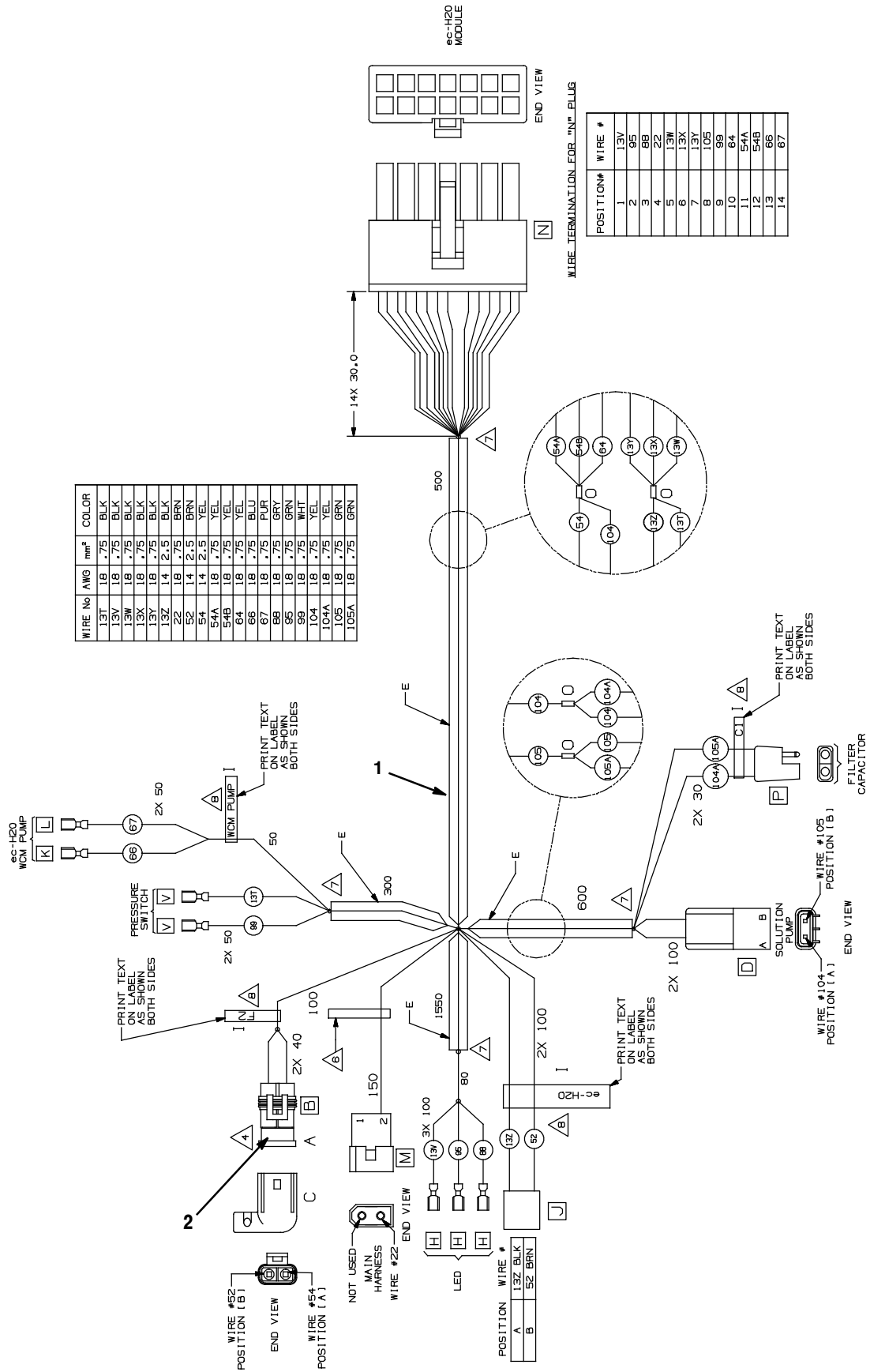
WIRE HARNESS GROUP, MAIN AUSTRALIA (S/N 0000000-10632987) - CONT'D



Ref.	Part No.	Serial Number	Description	Qty.
1	1034771	(00000000-10632987)	Harness, Main [T5, Aus]	1
2	222290	(00000000-)	Diode, Ele, Plug	2
3	1013835	(00000000-)	Connector Body, Fem, 2 Recept. [Molex]	1

# STANDARD PARTS

## WIRE HARNESS GROUP, *ec-H2O* NANOCLEAN (S/N MFG AFTER MARCH 2015- )



**WIRE HARNESS GROUP, *ec*-H2O NANOCLEAN (S/N MFG AFTER MARCH 2015- )**

	<b>Ref.</b>	<b>Part No.</b>	<b>Serial Number</b>	<b>Description</b>	<b>Qty.</b>
▽	1	1074375	(APR2015-	) Harness Assy, Wire [T5 Ec- H2o G2]	1
▲	2	1047470	(00000000-	) Fuse, Blade, 010a, 32vdc, Red	1

▽ ASSEMBLY

▲ INCLUDED IN ASSEMBLY





**WIRE HARNESS GROUP, ec-H2O (S/N 10632988- MFG BEFORE APRIL 2015)**

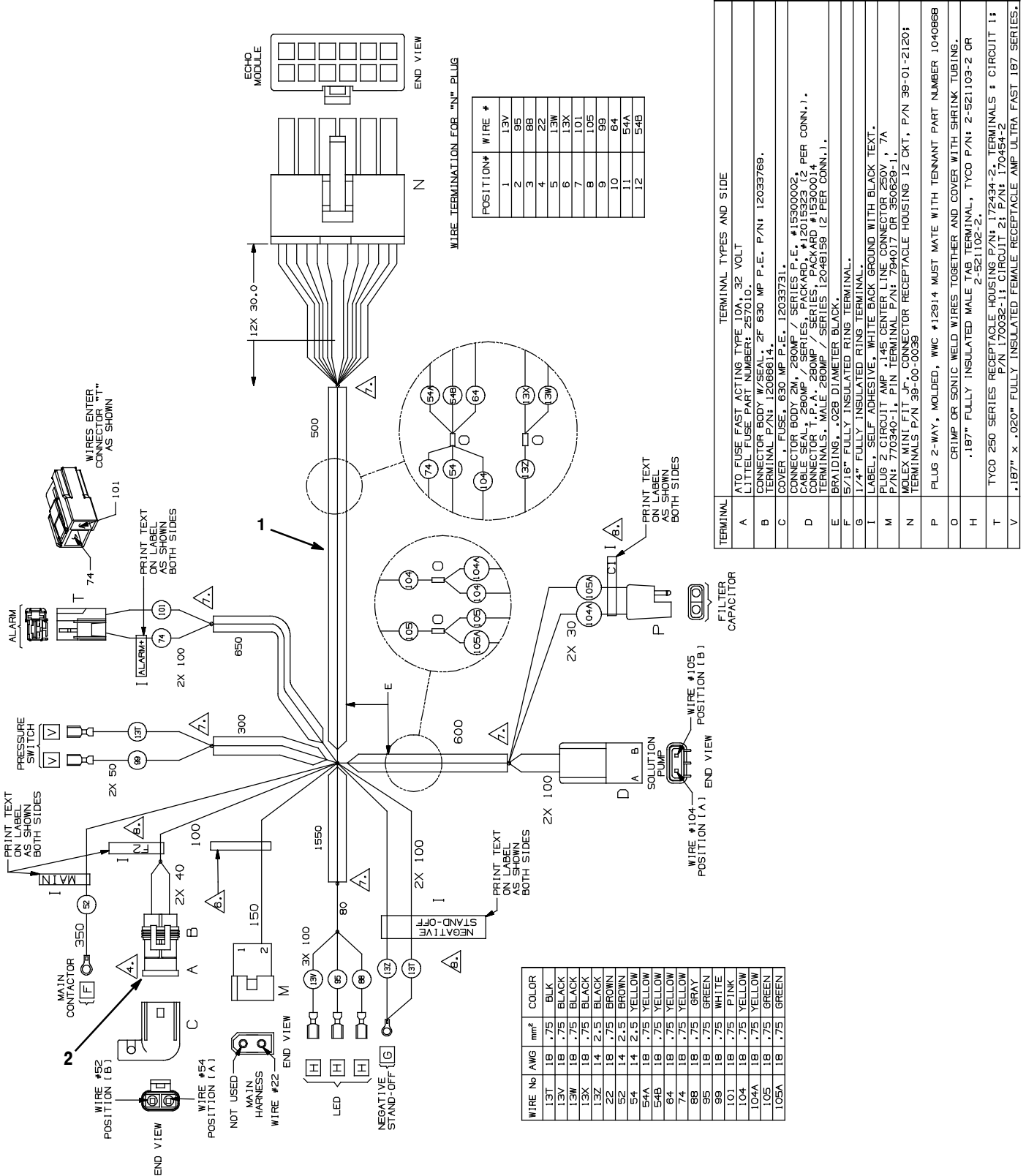
	<b>Ref.</b>	<b>Part No.</b>	<b>Serial Number</b>	<b>Description</b>	<b>Qty.</b>
▽	1	1066844	(10632988- MAR2015 )	Harness Assy, Wire [T5 Ec- H2o]	1
▲	2	1047470	(00000000-	) Fuse, Blade, 010a, 32vdc, Red	1

▽ ASSEMBLY

▲ INCLUDED IN ASSEMBLY

WIRE HARNESS GROUP, ec-H2O (S/N 10446231-10632987)

355122



**WIRE HARNESS GROUP, ec-H2O (S/N 10446231-10632987)**

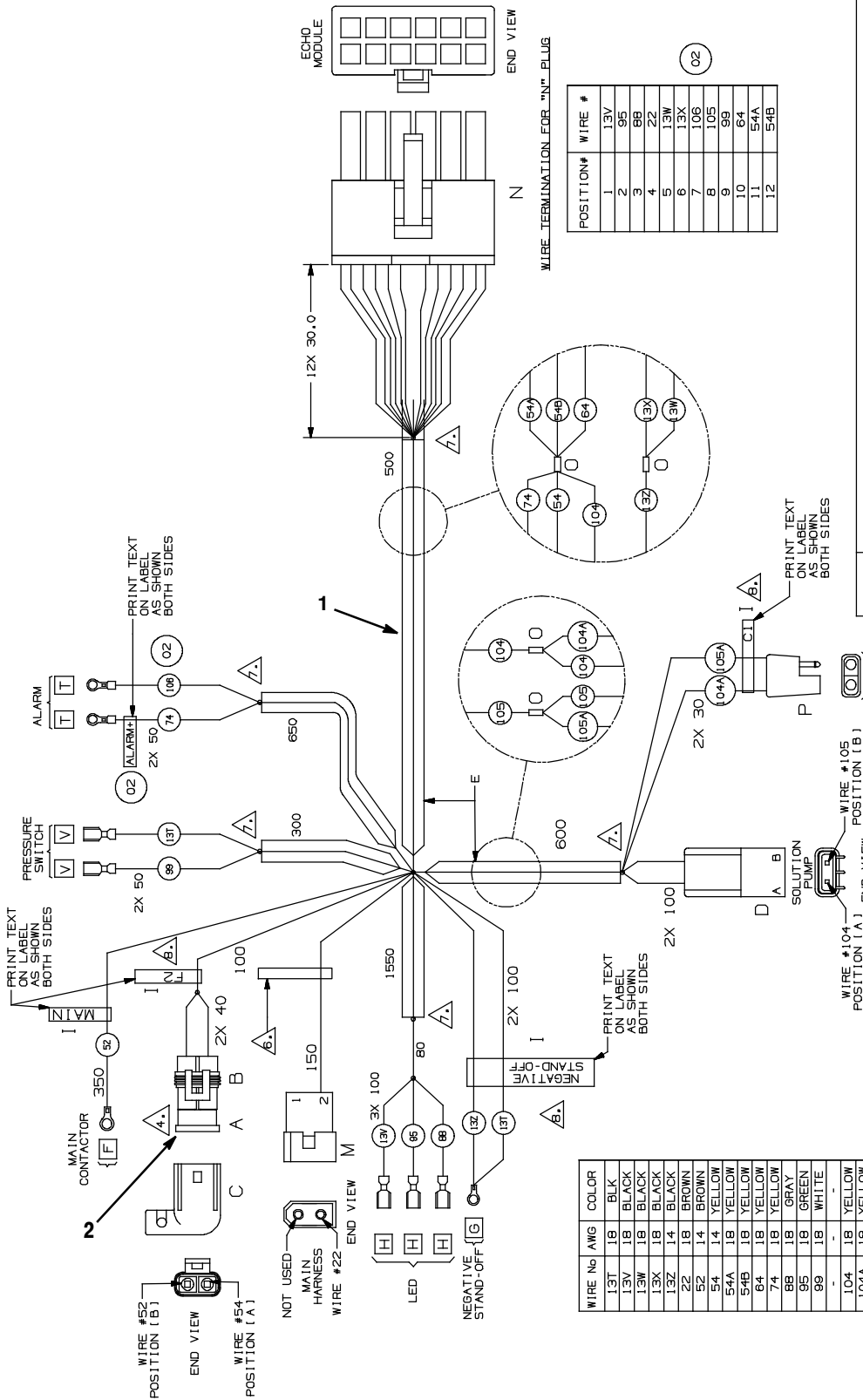
	<b>Ref.</b>	<b>Part No.</b>	<b>Serial Number</b>	<b>Description</b>	<b>Qty.</b>
▽	1	1055398	(10446231-10632987 )	Harness Assy, Wire [T5 Ec- H2o]	1
▲	2	1047470	(00000000- )	Fuse, Blade, 010a, 32vdc, Red	1

▽ ASSEMBLY

▲ INCLUDED IN ASSEMBLY

WIRE HARNESS GROUP, ec-H2O (S/N 0000000-10446230)

355123



WIRE TERMINATION FOR "N" PLUG

POSITION#	WIRE #
1	13V
2	95
3	88
4	22
5	13W
6	13X
7	106
8	105
9	99
10	64
11	54A
12	54B

WIRE No	AWG	COLOR
13T	18	BLK
13V	18	BLK
13W	18	BLK
13X	18	BLK
13Z	14	BLK
22	18	BROWN
52	14	BROWN
54	14	YELLOW
54A	18	YELLOW
54B	18	YELLOW
64	18	YELLOW
74	18	YELLOW
88	18	GRAY
95	18	GREEN
99	18	WHITE
-	-	-
104	18	YELLOW
104A	18	YELLOW
105	18	GREEN
105A	18	GREEN
106	18	BLUE

LETTER	DESCRIPTION
A	A70 FUSE FAST ACTING TYPE 10A, 32 VOLT
B	LITTLE FUSE PART NUMBER: 257010
C	CONNECTOR BODY W/SEAL, 2F 630 MP P.E. P/N: 12033769, TERMINAL P/N: 12066614.
D	COVER, FUSE, 630 MP P.E. 12033731.
E	CONNECTOR BODY 2M, 280MP / SERIES P.E. #15300002, CABLE SEAL, 280MP / SERIES, PACKARD, #12015323 (2 PER CONN.), CONNECTOR T.P.A., 280MP / SERIES, PACKARD #15300014 TERMINALS, MALE 280MP / SERIES 12048159 (2 PER CONN.).
F	BRAIDING, .028 DIAMETER BLACK.
G	5/16" FULLY INSULATED RING TERMINAL.
H	1/4" FULLY INSULATED RING TERMINAL.
I	LABEL, SELF ADHESIVE, WHITE BACK GROUND WITH BLACK TEXT.
M	PLUG 2 CIRCUIT AMP, .145 CENTER LINE CONNECTOR 250V, 7A P/N: 770340-1, PIN TERMINAL P/N: 794017 OR 350629-1.
N	MOLEX MINI FIT Jc, CONNECTOR RECEPTACLE HOUSING 12 CKT, P/N 39-01-2120; TERMINALS P/N 39-00-0039
P	PLUG 2-WAY, MOLDED, WVC #12914 MUST MATE WITH TENNANT PART NUMBER 1040868
O	GRIMP OR SONIC WELD WIRES TOGETHER AND COVER WITH SHRINK TUBING.
H	.187" FULLY INSULATED MALE TUB TERMINAL, TYCO P/N: 2-521103-2 OR
T	.187" x .020" FULLY INSULATED FEMALE RECEPTACLE AMP ULTRA FAST 187 SERIES.

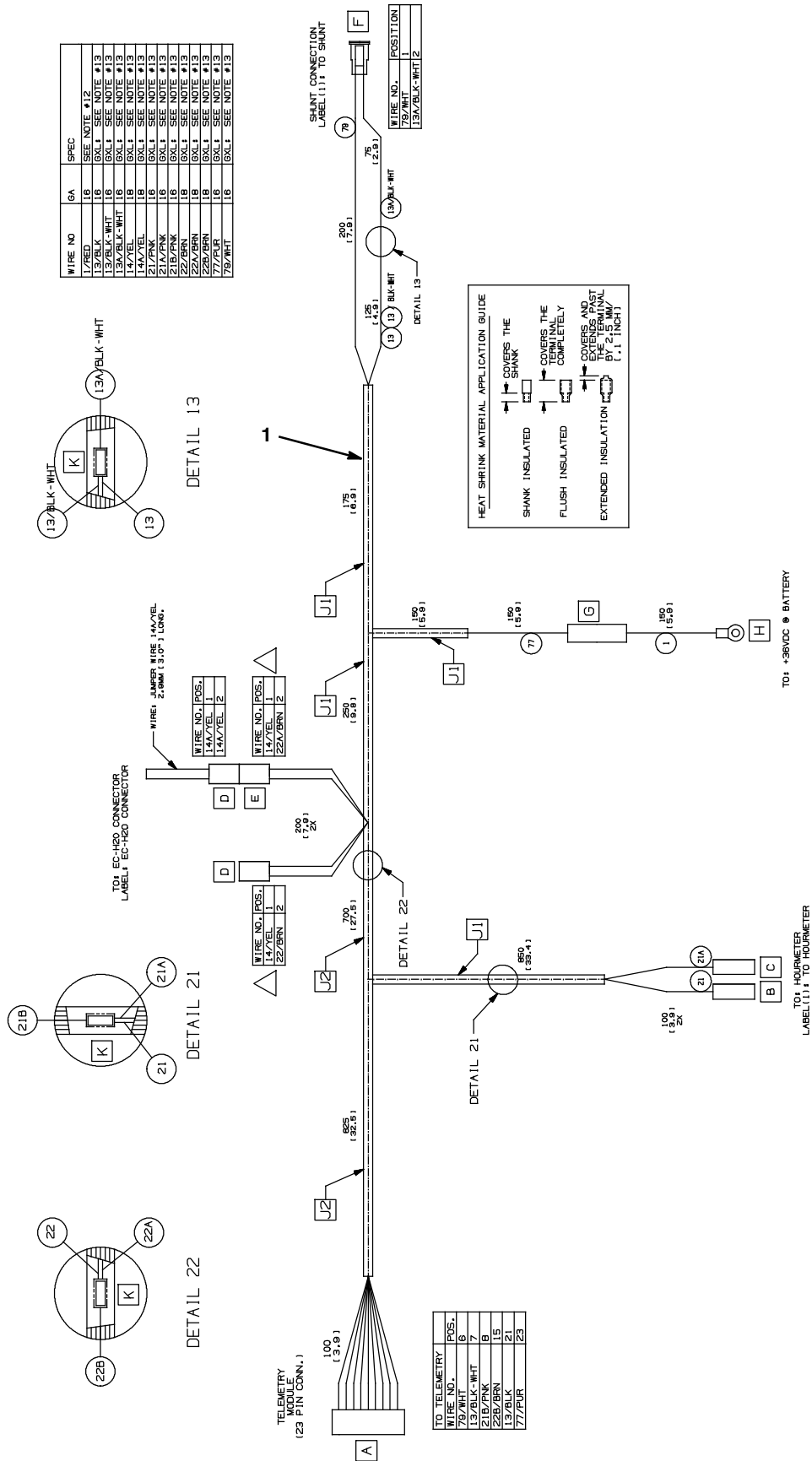
**WIRE HARNESS GROUP, *ec-H2O* (S/N 00000000- 10446230)**

	<b>Ref.</b>	<b>Part No.</b>	<b>Serial Number</b>	<b>Description</b>	<b>Qty.</b>
▽	1	1044416	(10378380- 10446320 )	Harness Assy, Wire [T5 Ec- H2o, P3]	1
▲	2	1047470	(00000000-	) Fuse, Blade, 010a, 32vdc, Red	1

▽ ASSEMBLY

▲ INCLUDED IN ASSEMBLY

WIRE HARNESS GROUP, TELEMETRY



## WIRE HARNESS GROUP, TELEMETRY

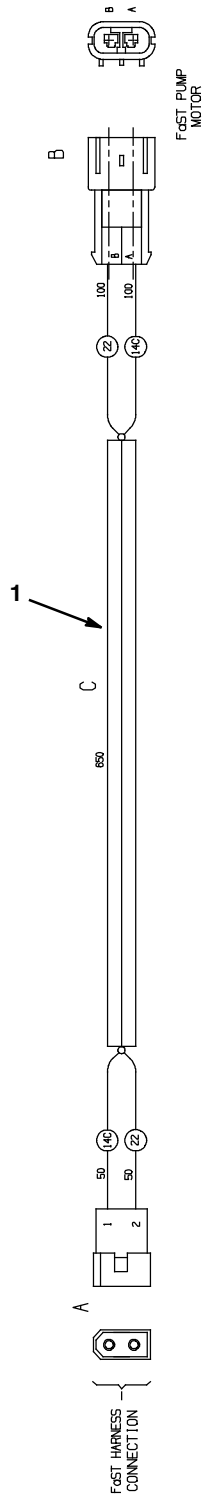
	Ref.	Part No.	Serial Number	Description	Qty.
▽	1	1074445	(APR2015-	) Harness, Ele, Telem [T5]	1
▲		9009990	(APR2015-	) Vr, Fuse, 002a, 250vdc, Cartridge	1

▽ ASSEMBLY

▲ INCLUDED IN ASSEMBLY

WIRE HARNESS GROUP, FAST

355124



WIRE #	COLOR	AWG	mm <sup>2</sup>
14C	YELLOW	18	.75
22	BROWN	18	.75

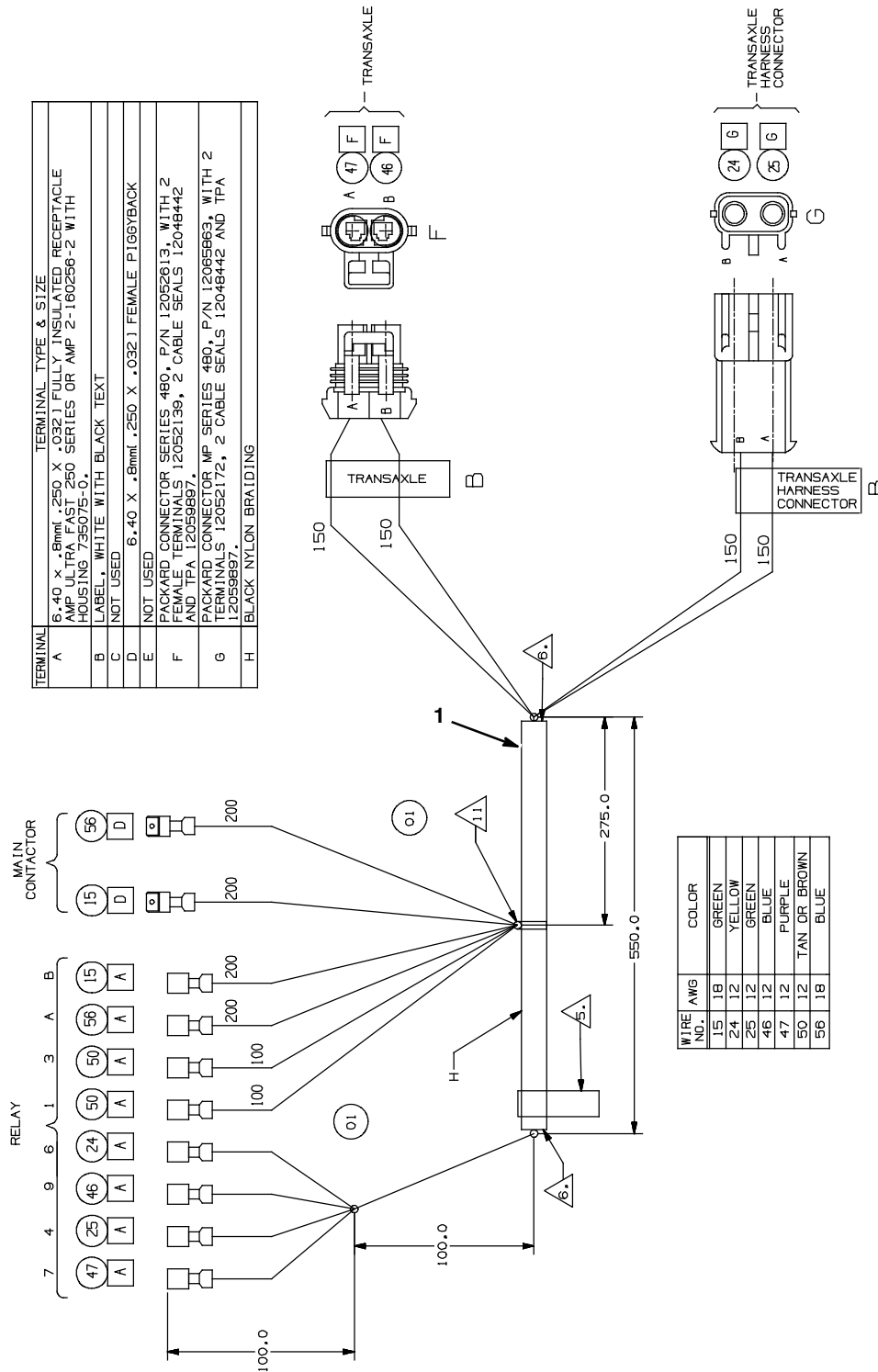
COMPONENT	DESCRIPTION
A	PLUS 2 CIRCUIT AMP .145 CENTERLINE CONNECTOR 250V, 7A P/N 770340-1, PIN TERMINALS P/N 784017 OR 354628-1.
B	CONNECTOR BODY 2M, 250MP / SERIES, P.E. #1530002, PER CONN.) CONNECTOR 1, 250MP / SERIES, P.E. #1530001, (2 PER CONN.) CONNECTOR 1, 250MP / SERIES, P.E. #1530011, (2 PER CONN.) TERMINALS, MALE 250MP / SERIES 12048159 (2 PER CONN.)
C	BLACK NYLON BRAIDING.

Ref.	Part No.	Serial Number	Description	Qty.
1	1023757	(00000000-	) Harness [Fast, Option, T5]	1



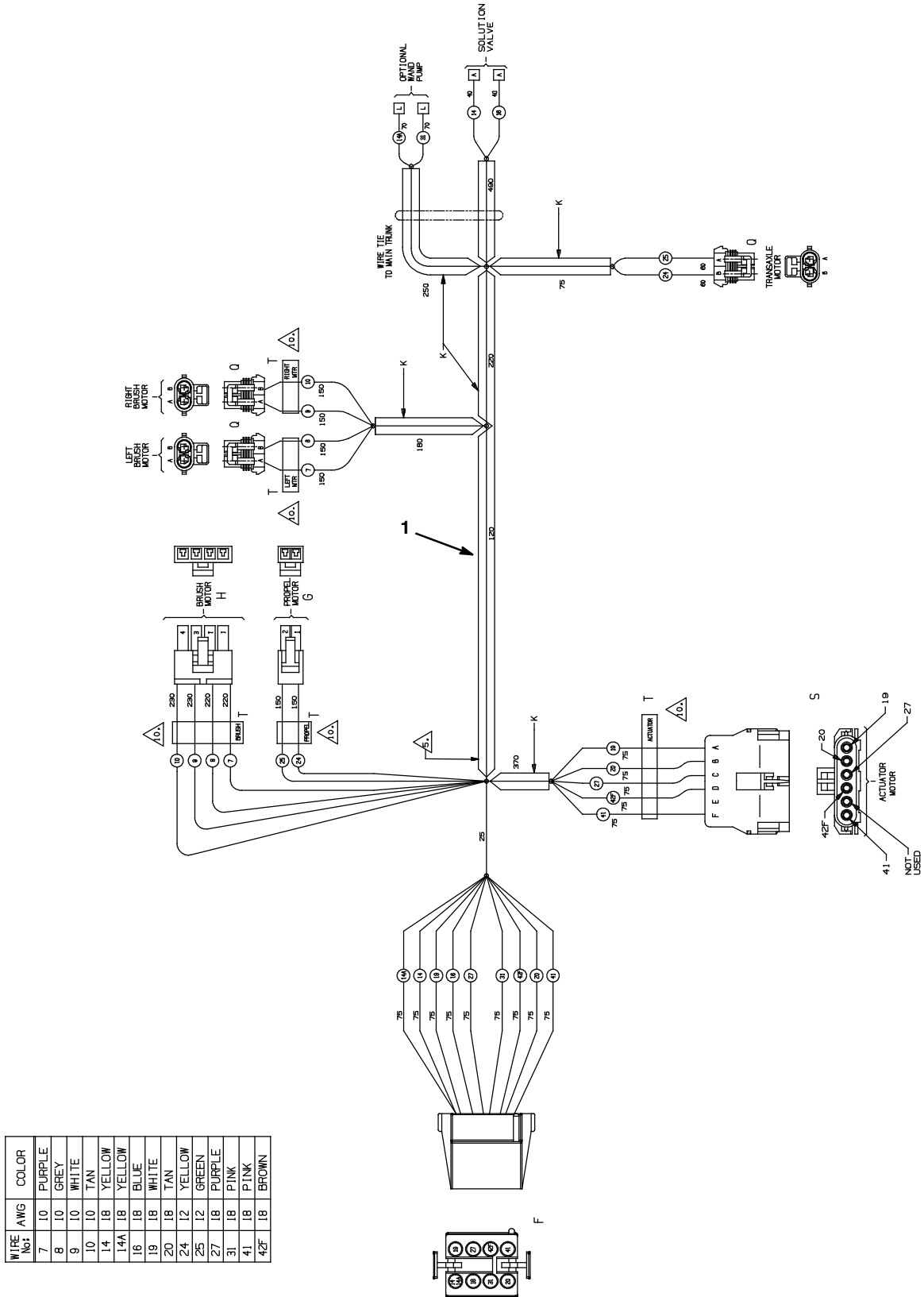
WIRE HARNESS GROUP, BRAKE

355125



Ref.	Part No.	Serial Number	Description	Qty.
1	1035576	(10306157-	) Harness, Wire, Brake [T5, Na]	1

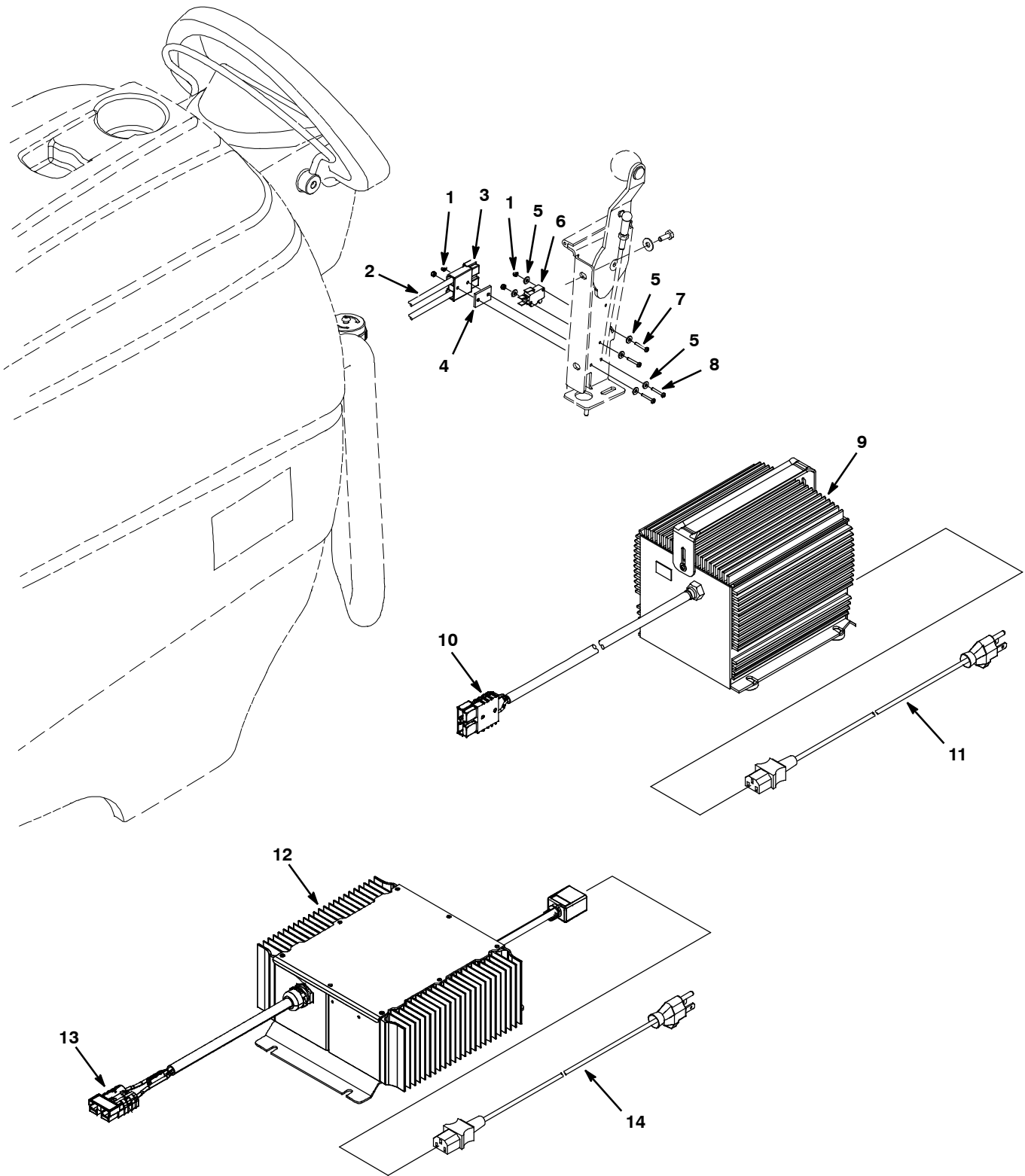
WIRE HARNESS GROUP, CHASSIS



Ref.	Part No.	Serial Number	Description	Qty.
1	1024588	(00000000-	) Harness, Chassis, Wire, Us [T5]	1



OFF-BOARD CHARGER GROUP



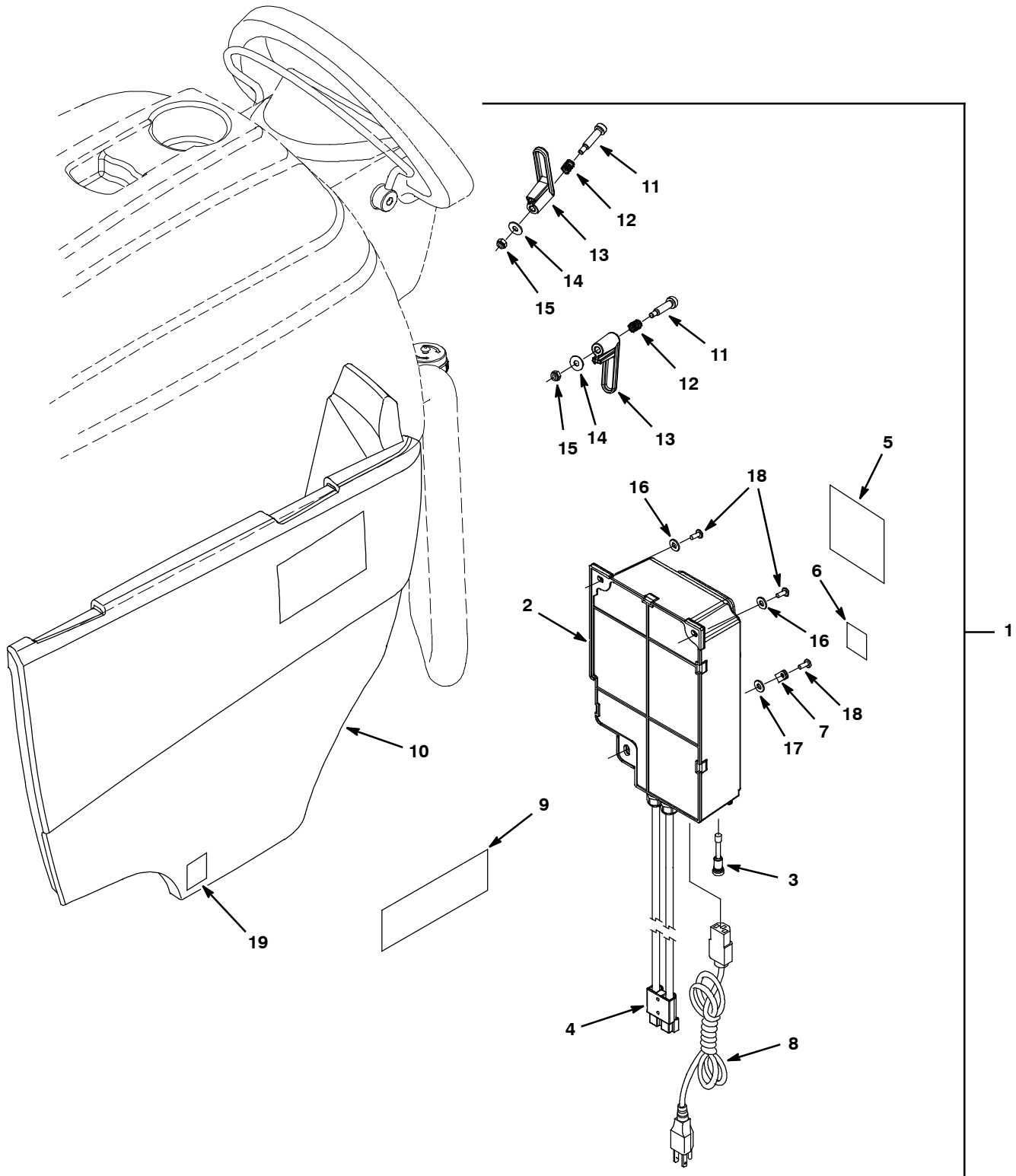
OFF-BOARD CHARGER GROUP

	Ref.	Part No.	Serial Number	Description	Qty.
	1	579211	(00000000-	) Nut, Hex, Lock, M3 X .5, Ss	4
▽	2	1024514	(00000000-	) Harness, Chrgr	1
▲	3	605387	(00000000-	) Connector, 50a, Red W/O Contact[Anderson	1
	4	603331	(00000000-	) Spacer, Chrgr Plug	1
	5	41578	(00000000-	) Washer, Flat, #06, Ss	6
	6	611005	(00000000-	) Switch, Rlr, 16a, Micro	1
	7	06922	(00000000-	) Screw, Pan, M3 X 0.5 X 20, 4.8	2
	8	33933	(00000000-	) Screw, Pan, M3 X 0.5 X 25, Ss	2
▽	9	1029256	(00000000-	) Charger, 24vdc, 19a Var Vac 1ph 50/60hz	1
▲	10	605387	(00000000-	) Connector, Anderson, 50a,Red W/O Contact	1
▲	11	1017079	(00000000-	) Cord, Extn, 16ga /3, 010ft [Sjt]	1
▽	12	1043663	(00000000-	) Charger, 24vdc 25a 100- 240vac 50/60hz (Japan)	1
▲	13	605387	(00000000-	) Connector, Anderson, 50a,Red W/O Contact	1
	14	989584	(00000000-	) Power Cord With Plug, [125v12a]#4.5m (Japan)	1

▽ ASSEMBLY

▲ INCLUDED IN ASSEMBLY

ON-BOARD CHARGER GROUP



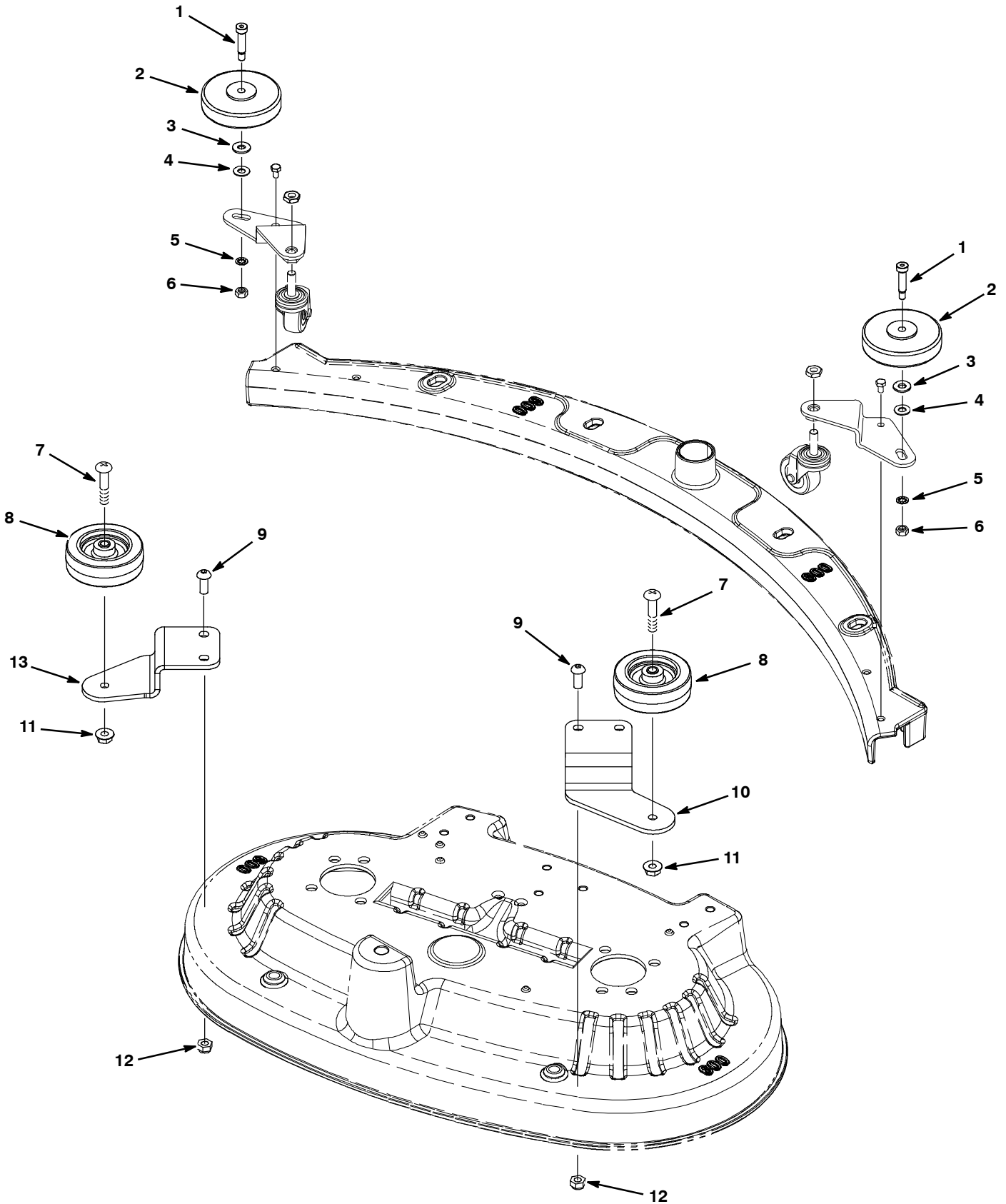
ON-BOARD CHARGER GROUP

Ref.	Part No.	Serial Number	Description	Qty.
▽	1	9003295	(00000000- ) Charger Kit, Battery, Ci [120v T5 Na] (North America)	1
▽	1	9003770	(00000000- ) Charger Kit, Battery, Ci [100v, T5 Jp] (Japan)	1
▽	1	9003296	(00000000- ) Charger Kit, Batt, 230v, Fr/ [T5 Aust] (Australia)	1
▲▽	2	9008898	(00000000- ) Charger, 120vac [Onboard] (North America)	1
▲▽	2	1042809	(00000000- ) Charger, 100vac [Onboard] (Japan)	1
▲▽	2	1042808	(00000000- ) Charger, 230vac [Onboard, Export] (Australia)	1
▲▲	3	1030692	(00000000- ) Vr, Fuse, Replmt, 15 Amp F/1022874 (North American & Japan)	1
▲▲	3	1030746	(00000000- ) Vr, Fuse, 10a, F/1025146- 1026909, Replmt (Australia)	1
▲▲	4	605387	(00000000- ) Connector, Anderson, 050a, Red [W/O Con] (North America Charger Only)	1
▲▲	5	1025158	(00000000- ) Label, Charger, Afmkt	1
▲▲	6	578768	(00000000- ) Label, Hzrd, [Hazardous Voltage] Txtls	1
▲	7	26395- 2	(00000000- ) Clamp, Cable, Stl, 0.38d X 0.38w, 1h	1
▲	8	1025642	(00000000- ) Cord, Power, 16/3, 4.5 Meters, Blk [Us] (North America)	1
▲	8	989584	(00000000- ) Power Cord With Plug, [125v12a]#4.5m (Japan)	1
▲	8	1026325	(00000000- ) Cord, Power, 1.0mm2 X 2.5 Meters [Aus] (Australia)	1
▲	9	1028175	(00000000- ) Label, Instr [Charger Setting]	1
▲	10	1022059	(00000000- ) Panel, Side, Rm- TI, Lh, Trimmed, W/Chrg	1
▲	11	1024965	(00000000- ) Bolt, Shld, 8mmd X 30, M6x1.0	2
▲	12	611311	(00000000- ) Spring, Cmpr, 10.9d, 1.1w, 12.7l Mw Zn	2
▲	13	610906	(00000000- ) Hook, Cord Viper	2
▲	14	01684	(00000000- ) Washer, Flat, 0.27b 0.69d .05, Ss	2
▲	15	08712	(00000000- ) Nut, Hex, Lock, M6 X 1.00, Ss, NI	2
▲	16	01683	(00000000- ) Washer, Flat, 10, Ss	2
▲	17	01684	(00000000- ) Washer, Flat, 0.27b 0.69d .05, Ss	1
▲	18	609062	(00000000- ) Screw, Pan, M5 X 0.80 X 16, Pozi, Ss	3
▲	19	600624	(00000000- ) Label, Parking Brake, Symbol	1
▲	N/S	130773	(00000000- ) Tie, Cable, Nyl, 11.0l, .14w, 3.0 Max. D	6

▽ ASSEMBLY

▲ INCLUDED IN ASSEMBLY

BUMPER WHEEL KIT





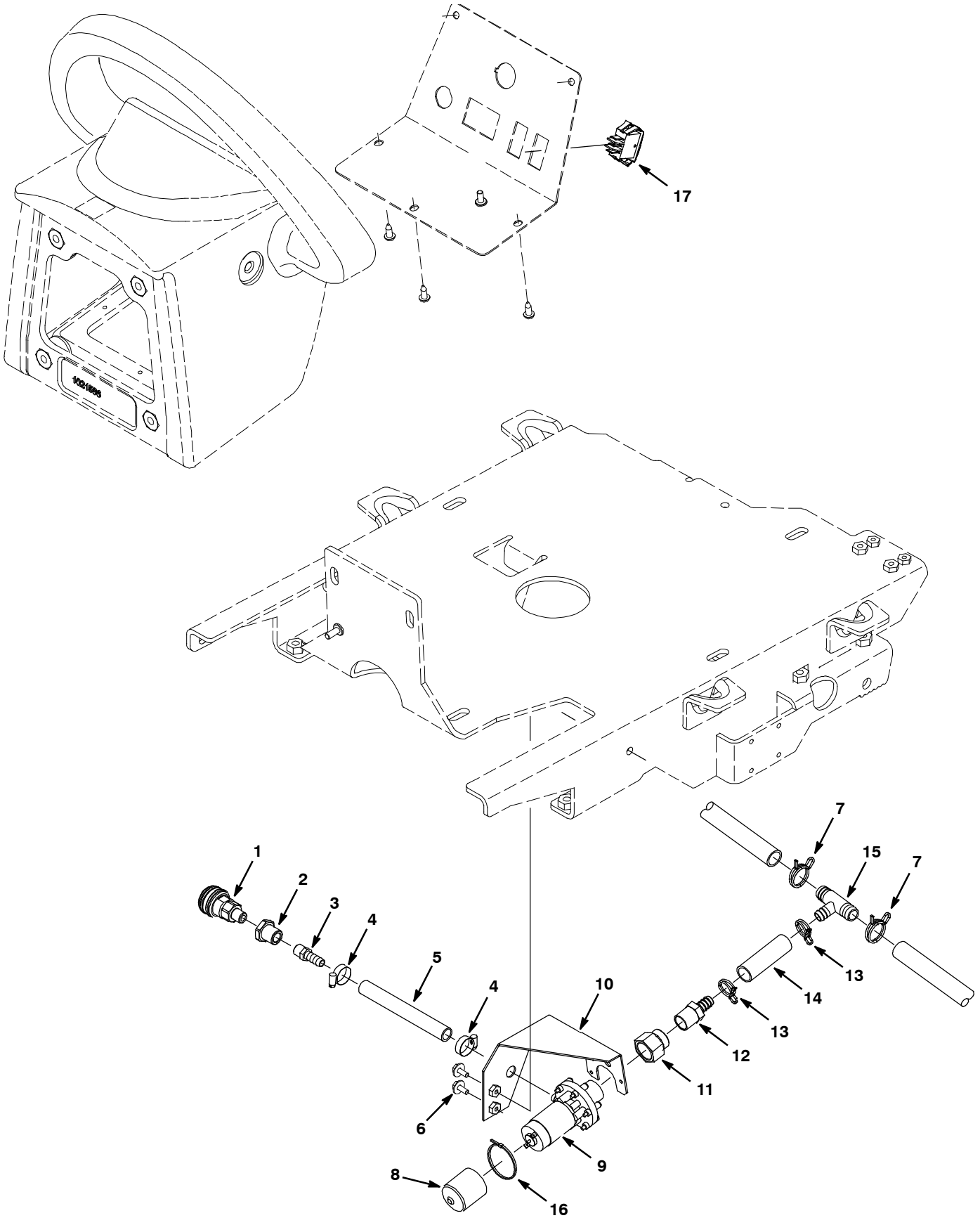
**BUMPER WHEEL KIT**

	<b>Ref.</b>	<b>Part No.</b>	<b>Serial Number</b>	<b>Description</b>	<b>Qty.</b>
▽		9004459	(00000000-	) Wheel Kit, Bumper, Retrofit [T5]	1
▲	1	600187	(00000000-	) Bolt, Shld, .38d X 1.25, .31- 18	2
▲	2	614317	(00000000-	) Wheel, 04.0d 1.00w 0.38b, Rbr, Gray	2
▲	3	01685	(00000000-	) Washer, Flat, 0.38b 0.88d .08, Ss	2
▲	4	069762311	(00000000-	) Washer, Flat, M7.9b X 19d X 1.7 Ss	2
▲	5	43952	(00000000-	) Washer, Lock, Int, 0.31, Ss	2
▲	6	140506	(00000000-	) Nut, Hex, Std, .31- 18, Ss	2
▲	7	606983	(00000000-	) Screw, Trs, M8 X 1.25 X 40, Phl, Pl	2
▲	8	1014918	(00000000-	) Wheel, 03.0d 0.88w 0.31b, W/ Bshg, Rbr	2
▲	9	393135	(00000000-	) Screw, Btn, M8 X 1.25 X 20, Blk	4
▲	10	1023268	(00000000-	) Bracket, Roller, Wall, Scb Head, 70cm	1
▲	11	07791	(00000000-	) Nut, Hex, Flng, M8 X 1.25	2
▲	12	08713	(00000000-	) Nut, Hex, Lock, M8 X 1.25, Nl, Ss	4
▲	13	1022344	(00000000-	) Bracket, Roller, Wall, Scb Head, 60cm	1

▽ ASSEMBLY

▲ INCLUDED IN ASSEMBLY

WAND PUMP KIT



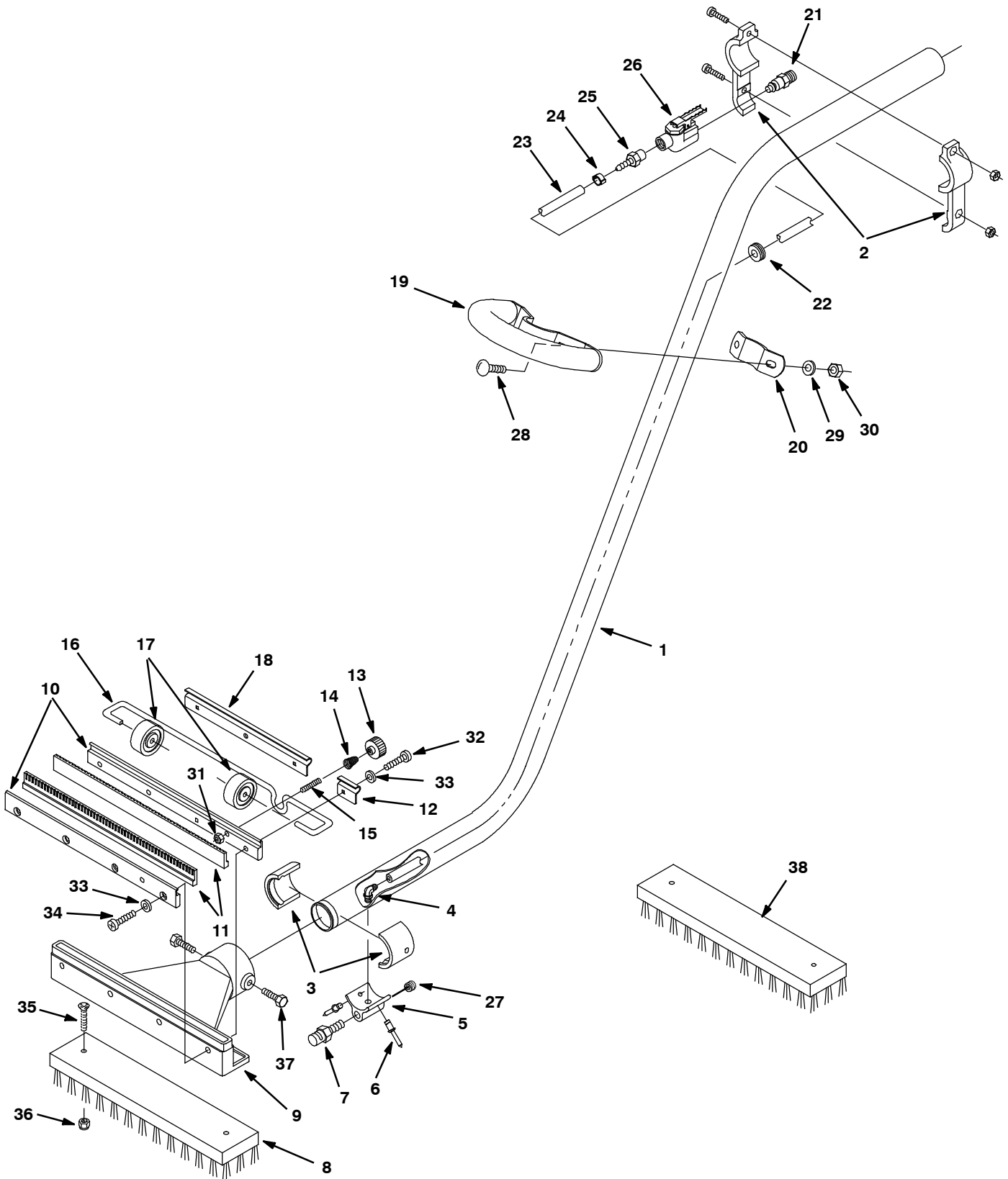
WAND PUMP KIT

	Ref.	Part No.	Serial Number	Description	Qty.
▽		9003398	(00000000-	) Pump Kit, Wand, Power, Ci [T5]	1
▲	1	608292	(00000000-	) Connection, Quick, Fem .375" X .25" Npt	1
▲	2	78122	(00000000-	) Fitting, Brs, Str, Pf04/Pf04, Bh	1
▲	3	150516	(00000000-	) Fitting, Brs, Str, Pm04/Bm06	1
▲	4	54333	(00000000-	) Clamp, Hose, Wormdrive, 0.31- 0.88d, .31w	2
▲	5	575501000	(00000000-	) Hose 3/8idx5/8odx8" (376720)	1
▲	6	1034731	(00000000-	) Screw, Hex, M6 X 1.00 X 16, Sems, Ss	2
▲	7	1041978	(00000000-	) Clamp, Hose, Wir, .85 - .90, Silver	2
▲	8	605064	(00000000-	) Cap, Vinyl, 1.38 D 1.6l	1
▲	9	630136	(00000000-	) Pump, Soltn, Ele, 24vdc, 3116" Term 3/4"	1
▲	10	1023515	(00000000-	) Bracket, Mtg, Pump, Wand	1
▲	11	150017	(00000000-	) Fitting, Brs, Str, Pf08/Pf12, Cplg[Redr]	1
▲	12	1023581	(00000000-	) Fitting, Plstc, Str, Bm08/Pm08, Nyl	1
▲	13	607776	(00000000-	) Clamp, Hose, Wir, .73 - .77, Silver	2
▲	14	613521	(00000000-	) Hose, Pvc, Clr, 0.50id 0.75od 012.0l	1
▲	15	1015486	(00000000-	) Fitting, Plstc, Tee, Bm08/Bm10/Bm10, Br	1
▲	16	130773	(00000000-	) Tie, Cable, Nyl, 11.0l, .14w, 3.0 Max. D	2
▲	17	130787	(00000000-	) Switch, Rocker, Spdt	1

▽ ASSEMBLY

▲ INCLUDED IN ASSEMBLY

DELUXE POWER WAND GROUP



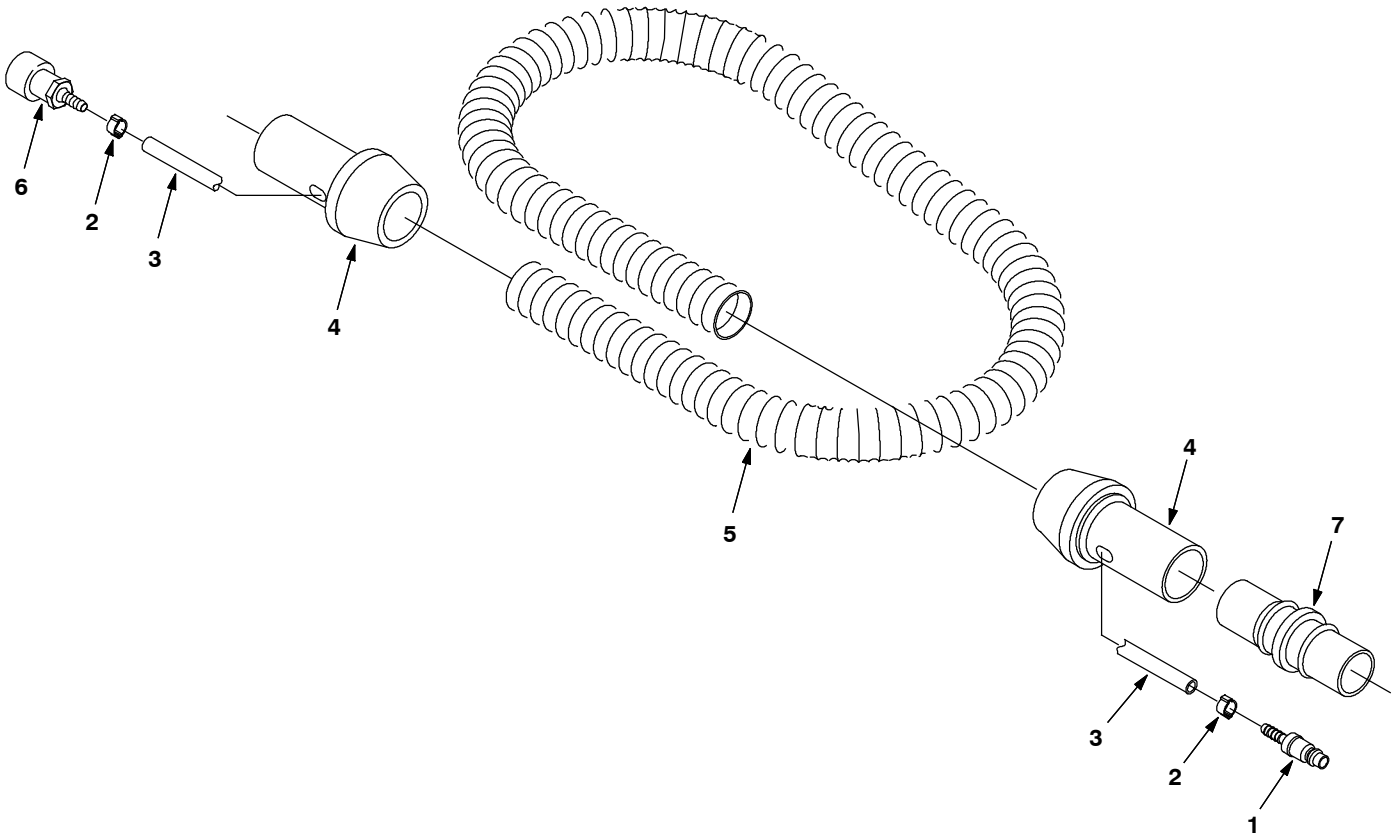
DELUXE POWER WAND GROUP

Ref.	Part No.	Serial Number	Description	Qty.
▽	65340	(00000000-	) Wand Assy, Power	1
▲	1 578060000	(00000000-	) Wand, Dbl Bend, 38.1mmd	1
▲	2 578077000	(00000000-	) Bracket Valve Mounting Wand	1
▲	3 578061000	(00000000-	) Adapter, Head / Wand	2
▲	4 1037595	(00000000-	) Fitting, Plstc, E90, Bm04/Pm02, Nyl	1
▲	5 579112	(00000000-	) Fitting Spray Nozzle Adapter	1
▲	6 602036000	(00000000-	) Rivet, Blind	2
▲	7 578066000	(00000000-	) Fitting, Brs, Tip [75, .125k- Jet]	1
▲	8 65610	(00000000-	) Brush, Power Wand, W/ Fastener, Pyp	1
▲	9 578063000	(00000000-	) Head, Wand	1
▲	10 578078000	(00000000-	) Retainer, Sqge, Wand	2
▲	11 578074000	(00000000-	) Blade, Sqge, 300.8mml, Wand	2
▲	12 578124000	(00000000-	) Bracket,Axle,1hole	1
▲	13 578439	(00000000-	) Nut, Thumb, M6 X 1.0, 30d	1
▲	14 613732	(00000000-	) Spring, Cmpr, Conical 15mm	1
▲	15 578143000	(00000000-	) Screw, Set, M6 X 1.0 X 40, Cuppt, Ss	1
▲	16 578126000	(00000000-	) Axle,Wand	1
▲	17 578125000	(00000000-	) Wheel, 41.3d, 19.1w, Rbr	2
▲	18 578123000	(00000000-	) Bracket,Axle,3hole	1
▲	19 578155000	(00000000-	) Handle Wldt, Wand	1
▲	20 578154000	(00000000-	) Bracket Handle Wand	1
▲	21 578091000	(00000000-	) Fitting, Brs, Qdc, Pm04, Plug	1
▲	22 578164000	(00000000-	) Grommet,0.38"Id,0.62"Gd,.06"Gw	1
▲	23 578821000	(00000000-	) Hose 1/4id X 3/8od X 1.22m	1
▲	24 578161000	(00000000-	) Clamp, Hose, Ear, 8- 11mm, Ss	1
▲	25 578094000	(00000000-	) Fitting, Nyl, Str, Pm04/Bm04	1
▲	26 578064000	(00000000-	) Valve, Cntrl, Water	1
▲	27 150208	(00000000-	) Fitting, Brs, Str, Pm02, Plug [Skhd]	1
▲	28 20399	(00000000-	) Bolt, Carriage, .25- 20 X 0.75	2
▲	29 200304017	(00000000-	) Washer, Flat, M6.4 X 13 X 1.6, Pl	2
▲	30 41169	(00000000-	) Nut, Hex, Lock, .25- 20, NI, Ss	2
▲	31 07785	(00000000-	) Nut, Hex, Std, M6 X 1.0, A2, Ss	1
▲	32 1026454	(00000000-	) Screw, Pan, M5 X 0.8 X 10, Ss	4
▲	33 07514	(00000000-	) Washer, Lock, Int, #10, Ss	8
▲	34 578144000	(00000000-	) Screw, Pan, M5 X 0.8 X 16,Phl,Ss,Dn7985a	4
▲	35 578566	(00000000-	) Screw 4x30 Fltphl Ss	2
▲	36 33932	(00000000-	) Nut, Hex, Lock, M4 X 0.7, NI, Ss	2
▲	37 140885	(00000000-	) Screw, Trs, .25- 20 X 0.50, Phl, Ss	2
▲	38 65582	(00000000-	) Brush, Power Wand, W/ Fastener, Abr (Optional)	1

▽ ASSEMBLY

▲ INCLUDED IN ASSEMBLY

POWER WAND HOSE GROUP

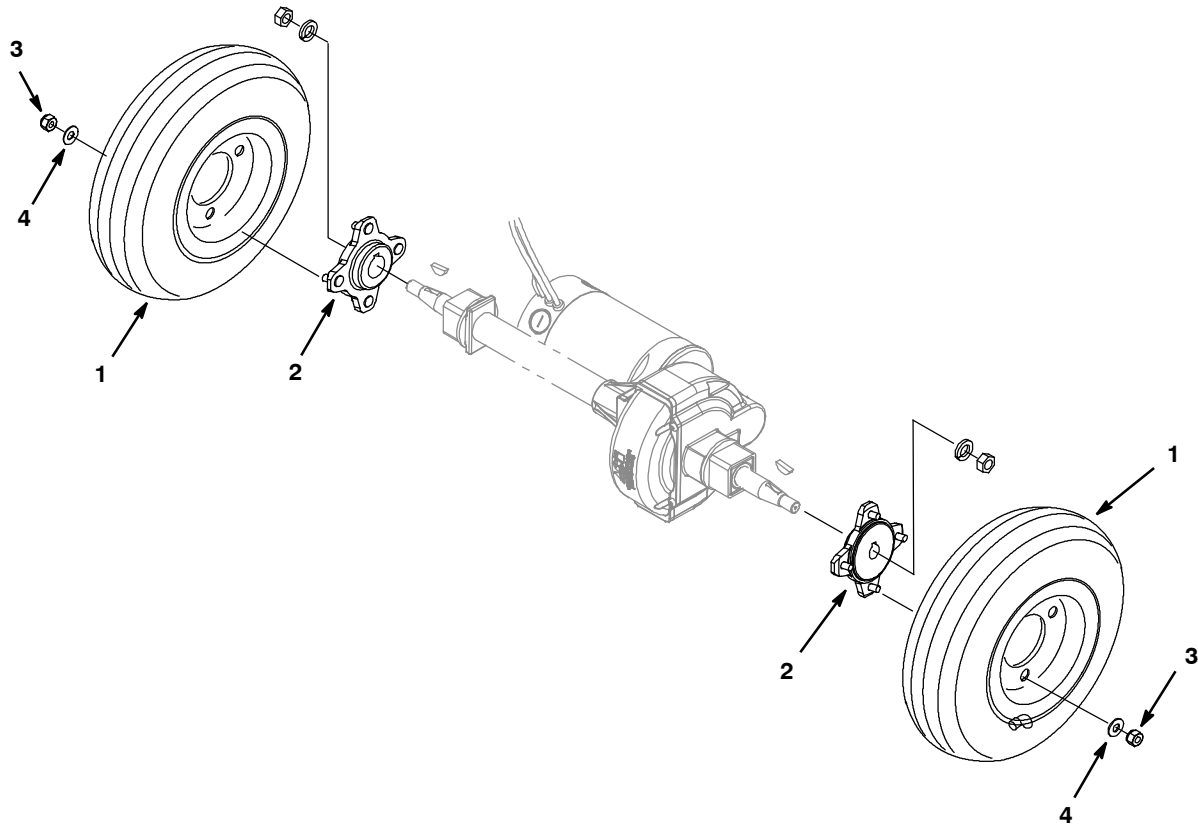


Ref.	Part No.	Serial Number	Description	Qty.
▽	65341	(00000000-	) Hose Assy, Wand, Power	1
▲	1	578318000	(00000000- ) Fitting, Stl, Qdc, Bm04	1
▲	2	578160000	(00000000- ) Clamp, Hose, Ear, 11- 13mm, Ss	2
▲	3	578820000	(00000000- ) Hose, Pvc, 0.25id X 157l	1
▲	4	578072000	(00000000- ) Cuff, Swivel, 1.5 Blk	2
▲	5	1052212	(00000000- ) Hose, Vacuum, 1.50id X 10ft, Gray	1
▲	6	578071000	(00000000- ) Fitting, Brs, Qdc, Bm04/Pf04	1
	7	12694	(00000000- ) Fitting, Plstc, Str, Bm24/Bm24	1

▽ ASSEMBLY

▲ INCLUDED IN ASSEMBLY

OPTIONAL WHEEL KIT

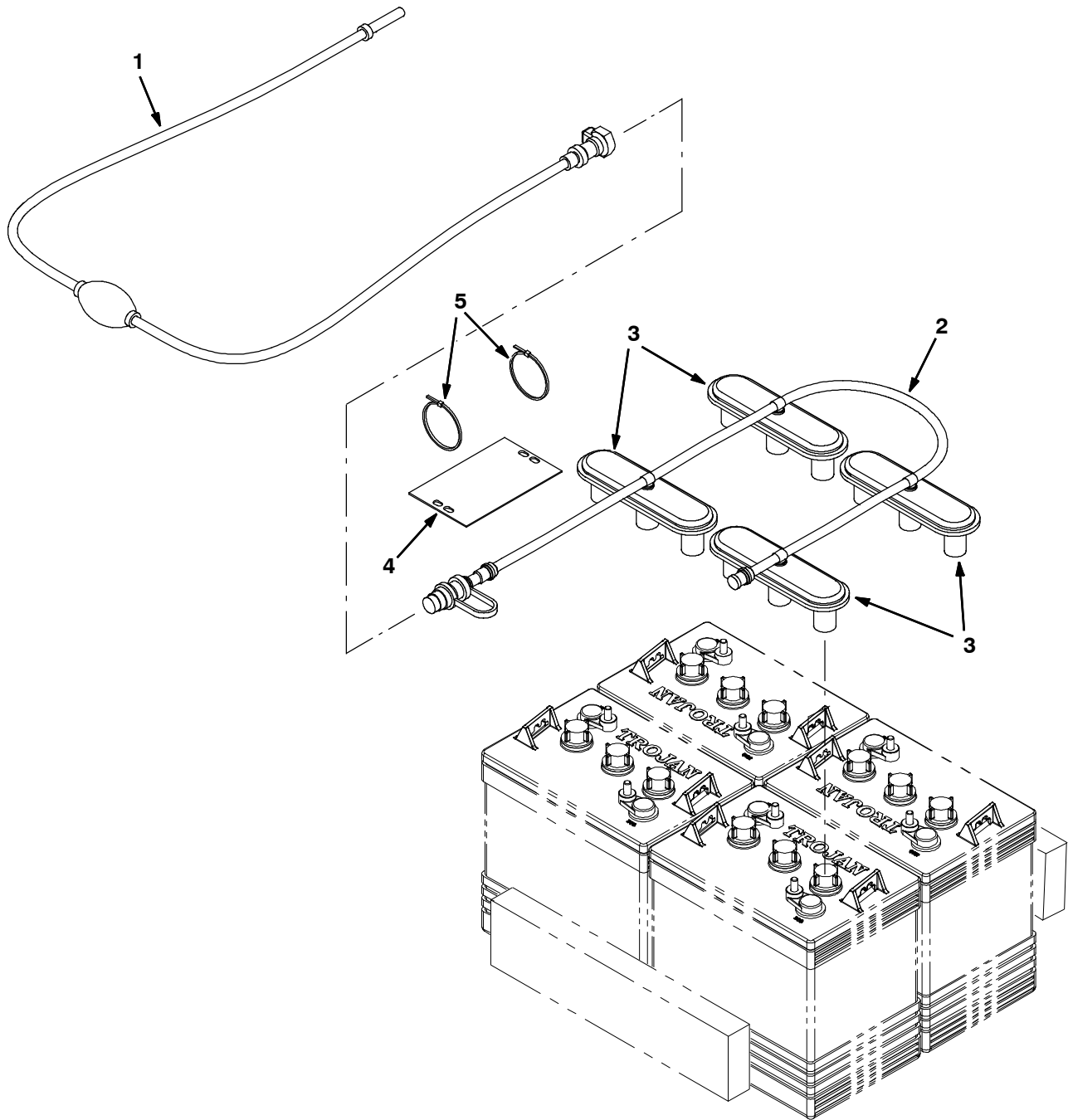


Ref.	Part No.	Serial Number	Description	Qty.
▽	9004903	(00000000-	) Wheel Kit, Pneumatic, Ci [T5 T5e Ss5]	1
▲ 1	1059452	(00000000-	) Tire Assy, Pneu, Grey, 2.8/2.5- 04 2.75bc	2
▲ 2	1048125	(00000000-	) Hub, Wheel [Tapered Shaft]	2
▲ 3	08712	(00000000-	) Nut, Hex, Lock, M6 X 1.00, NI, Ss	8
▲ 4	140000	(00000000-	) Washer, Flat, 0.28b 0.62d .04, Ss	8
▽	9004904	(00000000-	) Wheel Kit, Foam Filled, Ci [T5 T5e Ss5]	1
▲ 1	1068472	(00000000-	) Tire Assy, Foam, Hi- Dns, Grey,2.8/2.5- 04	2
▲ 2	1048125	(00000000-	) Hub, Wheel [Tapered Shaft]	2
▲ 3	08712	(00000000-	) Nut, Hex, Lock, M6 X 1.00, NI, Ss	8
▲ 4	140000	(00000000-	) Washer, Flat, 0.28b 0.62d .04, Ss	8

▽ ASSEMBLY

▲ INCLUDED IN ASSEMBLY

HYDROLINK® BATTERY WATERING SYSTEM KIT



Ref.	Part No.	Serial Number	Description	Qty.
▽	9010300	(00000000-	) Watering Kit, Battery, 24vdc, Ci [Trojan]	1
▲	1 1058939	(00000000-	) Kit, Pump, Fill, Battery	1
▲	2 1070394	(00000000-	) Hose Kit, Battery, 24vdc [J305h Snake]	1
▲	3 1204142	(00000000-	) Cap, Watering, Battery [Trojan]	4
▲	4 1071084	(00000000-	) Label, Tag, Battery [Hydrolink Watering]	1
▲	5 130773	(00000000-	) Tie, Cable, Nyl, 11.0l, .14w, 3.0 Max. D	2

▽ ASSEMBLY

▲ INCLUDED IN ASSEMBLY

HYDROLINK® IS A REGISTERED TRADEMARK OF TROJAN BATTERY COMPANY.



